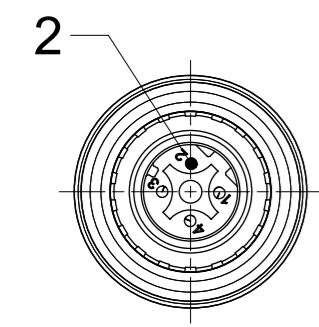


VIEW FROM THE FRONT SIDE

| PIN | WIRE COLOR |
|-----|------------|
| 1 | YE |
| 2 | WH |
| 3 | OR |
| 4 | BU |

SHIELD CONNECTED TO COUPLING NUTS



VIEW FROM THE FRONT SIDE

PART No. MATRIX

E W W A 0 6 0 1 0 M X X X

E=ETHERNET

HEADS:
W=M12 4-Pole Ultra Lock D-Coding
W=M12 4-Pole Ultra Lock D-Coding

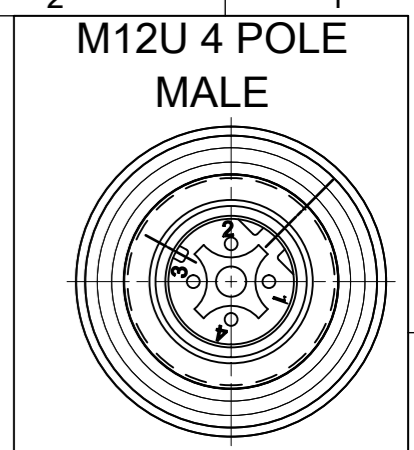
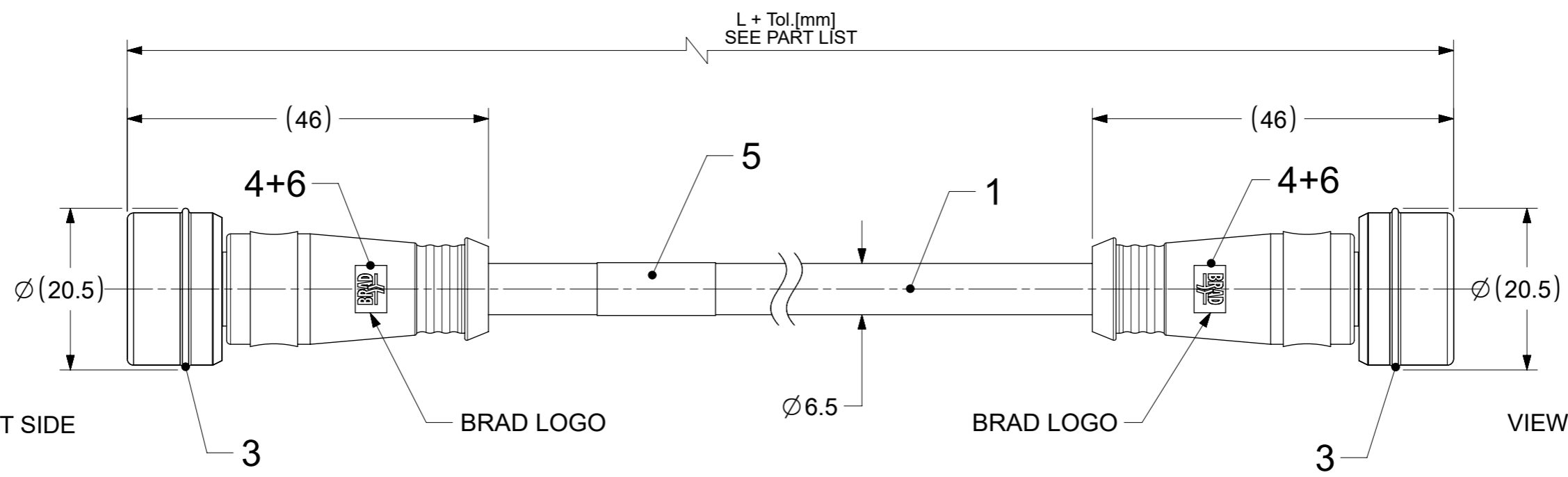
HEADS STYLE:
060=MALE STR / MALE STR

UNITS:
M = METER
T=10x METER

LENGTH EXAMPLES:
005=0.5m
010=1m
150=15m

CABLE TYPE

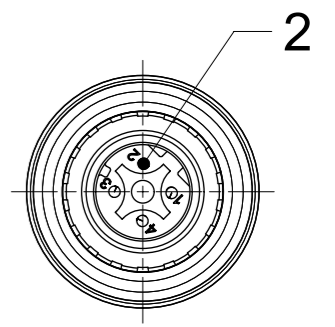
WIRING TYPE:
A=4 Pole STRAIGHT WIRED



VIEW FROM THE FRONT SIDE

| PIN | WIRE COLOR |
|-----|------------|
| 1 | YE |
| 2 | WH |
| 3 | OR |
| 4 | BU |

SHIELD CONNECTED TO COUPLING NUTS



VIEW FROM THE FRONT SIDE

PART LIST

| MOLEX PN | ENGINEERING No | L+Tol. [mm] |
|------------|----------------|-------------|
| 1201080089 | EWWA06010M006 | 600+45 |
| 1201080090 | EWWA06010M010 | 1000 +56 |
| 1201080091 | EWWA06010M020 | 2000 +89 |
| 1201080092 | EWWA06010M050 | 5000+165 |
| 1201080093 | EWWA06010M100 | 10000+317 |
| 1201080094 | EWWA06010M150 | 15000+622 |

| | | | | |
|-----------------|----|--------------|------------|----------|
| DOCUMENT STATUS | P1 | RELEASE DATE | 2022/04/22 | 06:35:58 |
|-----------------|----|--------------|------------|----------|

NOTES :

ACC. TO CAT5e ETHERNET STD.
MAX. VOLTAGE : 30V
MAX. CURRENT : 1.5A
IP RATING : IP67
TEMPERATURE RANGE : -20°C TO +75°C

BOM

| ITEM | QTY. | DESCRIPTION | MATERIAL | FINISH/COLOR |
|------|------|-------------------------|----------|--------------|
| 6 | 2 | SLEEVE SHIELD | BRASS | Ni-PLATED |
| 5 | 1 | LABEL | VINYL | YELLOW |
| 4 | - | MOULDING MATERIAL | TPU | BLACK |
| 3 | 2 | ULTRALOCK ASSEMBLY MALE | - | - |
| 2 | 8 | CONTACT MALE | BRASS | Au OVER Ni |
| 1 | - | ETHERNET CABLE CAT5eES | PUR | GREEN |

| FUNCTIONAL SYMBOLS | THIS DRAWING CONTAINS INFORMATION THAT IS PROPRIETARY TO MOLEX ELECTRONIC TECHNOLOGIES, LLC AND SHOULD NOT BE USED WITHOUT WRITTEN PERMISSION | CURRENT REV DESC: | | | | | | | | | | | | | | | | | | | | | | | | | | | | | | | |
|---|--|-------------------------------|-------------------------------|-----------------------------|---|---------------------------------------|--|----------------------------|----------------------------|---------------------------------------|-----------------------------------|----------------|-----------------------------|--|--|----------|-------|--------------------|----------|-------|--|----------|------------|--|---------|-----------|--|----------|-----------|--|--|--|---|
| | <table border="1"> <tr> <th>FUNCTIONAL SYMBOLS</th> <th>DIMENSION UNITS</th> <th>SCALE</th> </tr> <tr> <td>$\nabla/A = 0$</td> <td>mm</td> <td>3:2</td> </tr> <tr> <td>$\nabla/E = 0$</td> <td colspan="2">GENERAL TOLERANCES (UNLESS SPECIFIED)</td> </tr> <tr> <td>$\nabla/F = 0$</td> <td colspan="2">ANGULAR TOL $\pm 1.0^\circ$</td> </tr> <tr> <td></td> <td>4 PLACES</td> <td>\pm</td> </tr> <tr> <td>DIVISIONAL SYMBOLS</td> <td>3 PLACES</td> <td>\pm</td> </tr> <tr> <td></td> <td>2 PLACES</td> <td>± 0.05</td> </tr> <tr> <td></td> <td>1 PLACE</td> <td>± 0.3</td> </tr> <tr> <td></td> <td>0 PLACES</td> <td>± 0.5</td> </tr> <tr> <td></td> <td colspan="2">DRAFT WHERE APPLICABLE MUST REMAIN WITHIN DIMENSIONS</td> </tr> </table> | FUNCTIONAL SYMBOLS | DIMENSION UNITS | | SCALE | $\nabla/A = 0$ | mm | 3:2 | $\nabla/E = 0$ | GENERAL TOLERANCES (UNLESS SPECIFIED) | | $\nabla/F = 0$ | ANGULAR TOL $\pm 1.0^\circ$ | | | 4 PLACES | \pm | DIVISIONAL SYMBOLS | 3 PLACES | \pm | | 2 PLACES | ± 0.05 | | 1 PLACE | ± 0.3 | | 0 PLACES | ± 0.5 | | DRAFT WHERE APPLICABLE MUST REMAIN WITHIN DIMENSIONS | | EC NO: 703538 DRWN: SSM CHK'D: RSILLER APPR: RSILLER 2022/03/28 2022/04/22 |
| FUNCTIONAL SYMBOLS | DIMENSION UNITS | SCALE | | | | | | | | | | | | | | | | | | | | | | | | | | | | | | | |
| $\nabla/A = 0$ | mm | 3:2 | | | | | | | | | | | | | | | | | | | | | | | | | | | | | | | |
| $\nabla/E = 0$ | GENERAL TOLERANCES (UNLESS SPECIFIED) | | | | | | | | | | | | | | | | | | | | | | | | | | | | | | | | |
| $\nabla/F = 0$ | ANGULAR TOL $\pm 1.0^\circ$ | | | | | | | | | | | | | | | | | | | | | | | | | | | | | | | | |
| | 4 PLACES | \pm | | | | | | | | | | | | | | | | | | | | | | | | | | | | | | | |
| DIVISIONAL SYMBOLS | 3 PLACES | \pm | | | | | | | | | | | | | | | | | | | | | | | | | | | | | | | |
| | 2 PLACES | ± 0.05 | | | | | | | | | | | | | | | | | | | | | | | | | | | | | | | |
| | 1 PLACE | ± 0.3 | | | | | | | | | | | | | | | | | | | | | | | | | | | | | | | |
| | 0 PLACES | ± 0.5 | | | | | | | | | | | | | | | | | | | | | | | | | | | | | | | |
| | DRAFT WHERE APPLICABLE MUST REMAIN WITHIN DIMENSIONS | | | | | | | | | | | | | | | | | | | | | | | | | | | | | | | | |
| <p>INITIAL REVISION:</p> <p>DRWN: SSM APPR: RSILLER 2022/03/28 2022/04/22</p> | | <p>THIRD ANGLE PROJECTION</p> | <p>DRAWING</p> <p>A3-SIZE</p> | <p>SERIES</p> <p>120108</p> | <p>MATERIAL NUMBER</p> <p>SEE PART LIST</p> | <p>CUSTOMER</p> <p>GENERAL MARKET</p> | <p>DOCUMENT NUMBER</p> <p>1201080089</p> | <p>DOC TYPE</p> <p>PSD</p> | <p>DOC PART</p> <p>000</p> | <p>REVISION</p> <p>A</p> | <p>SHEET NUMBER</p> <p>1 OF 1</p> | | | | | | | | | | | | | | | | | | | | | | |

6

5

4

3

2

1

| PART NUMBER | ENGINEERING NO. | LENGTH ± TOLERANCE |
|-------------|-----------------|--------------------------------------|
| 1201080090 | EWWA06010M010 | 3' 3" +2.19"/-0" [1M +55.6/-0 mm] |
| 1201080092 | EWWA06010M050 | 16' 4" +6.5"/-0" [5M +165.0/-0 mm] |

AUX VIEW
SCALE 1:4

FINISHED LENGTH
(SEE CHART)

4.00 REF.
101.6

1.84 REF.
46.8

1.84 REF.
46.8

Ø 0.78 REF.
19.9

Ø 0.78 REF.
19.9

MALE- FACE VIEW

MALE- FACE VIEW

P1

P2

1 2 3 4

1 2 3 4

| P1 | | P2 |
|----|--------|----|
| 1 | YELLOW | 1 |
| 2 | WHITE | 2 |
| 3 | ORANGE | 3 |
| 4 | BLUE | 4 |

WIRING DIAGRAM

NOTES:

- MATERIAL: SEE TABLE
- FINISHES: SEE TABLE
- CABLE: #22/4 SHIELDED PUR
- ELECTRICAL DATA:
ACCORDING TO CAT5e ETHERNET STANDARD
MAX. VOLTAGE: 30V
MAX. CURRENT 1.5A
- ENVIRONMENTAL:
PROTECTION IP67
TEMPERATURE RANGE: -20°C TO 75°C
- WRAP LABEL IS MARKED WITH P/N, DATE CODE,
VOLTAGE & AMPERAGE.
- ASSEMBLY IS RoHS COMPLIANT.

| ITEM | QTY. | DESCRIPTION | MATERIAL | FINISH |
|------|------|--------------------------|--------------|--------------|
| 6 | 1 | LABEL | PLASTIC FILM | BLACK/YELLOW |
| 5 | 2 | INSERT | PUR | BLACK |
| 4 | 8 | PIN CONTACT | COPPER ALLOY | GOLD PLATED |
| 3 | 2 | M12 ULTRA-LOCK HEAD ASSY | BRASS | NICKEL |
| 2 | 2 | OVERMOLD | PUR | BLACK |
| 1 | 1 | ETHERNET CABLE-CAT5E | PUR JACKET | TEAL |

| | | | | | | | |
|---|-----------------|--|--|---|-------------------------------|------------------------|--|
| SD RELEASE EC NO: WEL2010-0005 7/9/09 DRWN: VOU CHKD: BWOODMAN APPR: JFMURPHY 2009/07/20 | QUALITY SYMBOLS | GENERAL TOLERANCES (UNLESS SPECIFIED) | DIMENSION STYLE IN/MM | SCALE 3:4 | DESIGN UNITS INCH | THIRD ANGLE PROJECTION | |
| | ▽=0 ▽C=0 | mm INCH | DRAWN BY DATE VOU 2009/07/06 | TITLE M12 ULTRA-LOCK CABLE ASSY 4P M/MP ST/ST D-CODE #22/4 SHIELDED PUR | | | |
| | | 4 PLACES ±--- ±--- 3 PLACES ±--- ±.005 2 PLACES ±--- ±.010 1 PLACE ±--- ±.020 | CHECKED BY DATE BWOODMAN 2009/07/31 | MOLEX INCORPORATED | | | |
| | | ANGULAR ±1/2° | APPROVED BY DATE --- | MATERIAL NO. SEE CHART | DOCUMENT NO. SD-120108-009 | SHEET NO. 1 OF 1 | |
| 1 | DESCRIPTION | DRAFT WHERE APPLICABLE MUST REMAIN WITHIN DIMENSIONS | | | | | |
| | | | SIZE A | THIS DRAWING CONTAINS INFORMATION THAT IS PROPRIETARY TO MOLEX INCORPORATED AND SHOULD NOT BE USED WITHOUT WRITTEN PERMISSION | | | |

6

5

4

3

2

1