

174051-2 ✓ ACTIVE

AMP | Multilock Connector System

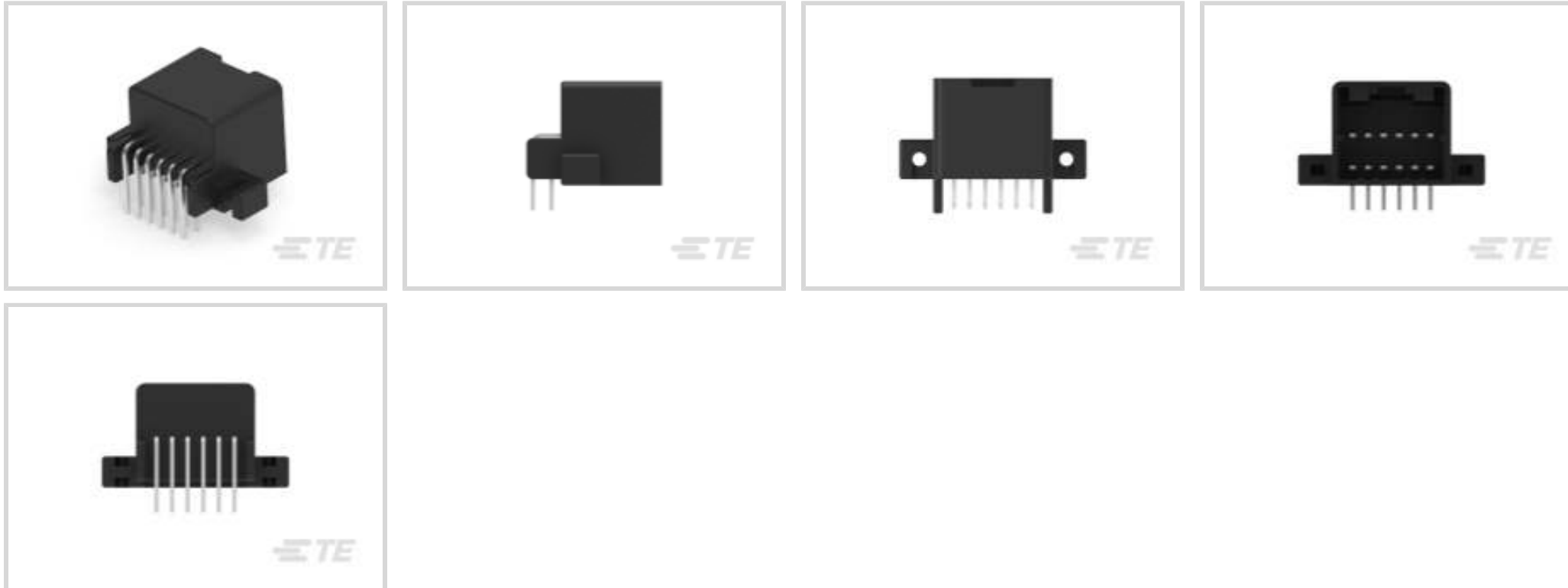
TE Internal #: 174051-2

PCB Mount Header, Horizontal, Wire-to-Board, 12 Position, 2.5 mm  
[.098 in] Centerline, Fully Shrouded, Tin, Multilock Connector  
System

[View on TE.com >](#)



Connectors > PCB Connectors > PCB Headers & Receptacles



Connector System: **Wire-to-Board**

Number of Positions: **12**

Centerline (Pitch): **2.5 mm [ .098 in ]**

Sealable: **No**

PCB Mount Orientation: **Horizontal**

## Features

### Product Type Features

Hybrid Header	No
Connector Shape	Rectangular
PCB Connector Assembly Type	PCB Mount Header
Header Type	Fully Shrouded
Connector System	Wire-to-Board
Sealable	No
Connector & Contact Terminates To	Printed Circuit Board

### Configuration Features

Number of Positions	12
PCB Mount Orientation	Horizontal
Number of Rows	2

### Body Features

Primary Product Color	Black
-----------------------	-------

### Contact Features



Contact Size	1mm
Contact Type	Tab
Mating Tab Width	1 mm[.039 in]
Mating Tab Thickness	.64 mm[.025 in]
Contact Mating Area Plating Material	Tin
Contact Current Rating (Max)	5 A

### Termination Features

Termination Method to Printed Circuit Board	Through Hole - Solder
---	-----------------------

### Mechanical Attachment

Mating Alignment	With
Panel Mount Feature	Without
Connector Mounting Type	Board Mount

### Housing Features

Centerline (Pitch)	2.5 mm[.098 in]
--------------------	-----------------

### Dimensions

Connector Width	20.4 mm[.803 in]
-----------------	------------------

### Usage Conditions

Operating Temperature Range	-30 – 105 °C[-22 – 221 °F]
-----------------------------	----------------------------

### Operation/Application

Shielded	No
Circuit Application	Signal

### Packaging Features

Packaging Type	Tube
Packaging Quantity	80

### Other

Interface Number	174045
------------------	--------

### Product Compliance

[For compliance documentation, visit the product page on TE.com>](#)

EU RoHS Directive 2011/65/EU	Compliant
EU ELV Directive 2000/53/EC	Compliant

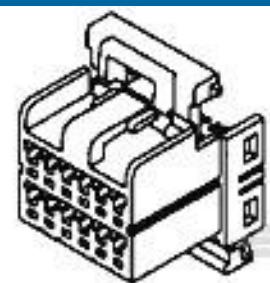


China RoHS 2 Directive MIIT Order No 32, 2016	No Restricted Materials Above Threshold
EU REACH Regulation (EC) No. 1907/2006	Current ECHA Candidate List: JUNE 2023 (235) Candidate List Declared Against: JAN 2023 (233) Does not contain REACH SVHC
Halogen Content	Low Halogen - Br, Cl, F, I < 900 ppm per homogenous material. Also BFR/CFR/PVC Free
Solder Process Capability	Not lead free process capable

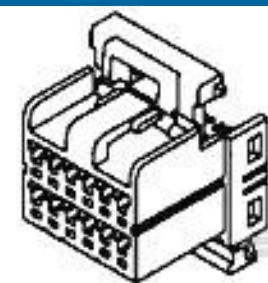
Product Compliance Disclaimer

This information is provided based on reasonable inquiry of our suppliers and represents our current actual knowledge based on the information they provided. This information is subject to change. The part numbers that TE has identified as EU RoHS compliant have a maximum concentration of 0.1% by weight in homogenous materials for lead, hexavalent chromium, mercury, PBB, PBDE, DBP, BBP, DEHP, DIBP, and 0.01% for cadmium, or qualify for an exemption to these limits as defined in the Annexes of Directive 2011/65/EU (RoHS2). Finished electrical and electronic equipment products will be CE marked as required by Directive 2011/65/EU. Components may not be CE marked. Additionally, the part numbers that TE has identified as EU ELV compliant have a maximum concentration of 0.1% by weight in homogenous materials for lead, hexavalent chromium, and mercury, and 0.01% for cadmium, or qualify for an exemption to these limits as defined in the Annexes of Directive 2000/53/EC (ELV). Regarding the REACH Regulation, the information TE provides on SVHC in articles for this part number is based on the latest European Chemicals Agency (ECHA) 'Guidance on requirements for substances in articles' posted at this URL: <https://echa.europa.eu/guidance-documents/guidance-on-reach>

### Compatible Parts




TE Part # 174045-2  
040 MULTILOCK PLUG 12P




TE Part # 174045-4  
040 MLC PLUG HSG 12P GREEN

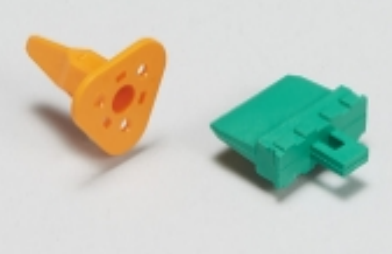
### Also in the Series | Multilock Connector System




Automotive Connector Caps & Covers (17)



Automotive Connector EMC Shielding (1)



Automotive Connector Locks & Position Assurance(2)



Automotive Housings(603)



Automotive Terminals(141)



Connector Seals & Cavity Plugs(2)



Insertion & Extraction Tools(6)

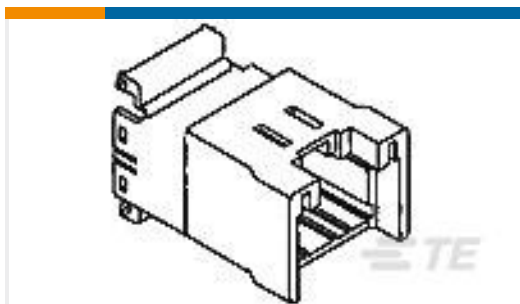


Other Automotive Connector Accessories(14)



PCB Headers & Receptacles(142)

## Customers Also Bought



TE Part #174058-2  
040 MULTILOCK CAP 12P



TE Part #207530-9  
SKT HDR ASSY,18P,MMATE LF



TE Part #175571-6  
Low & Medium Power Header



TE Part #1554472-2  
DYNAMIC 3230 HDR H 3P ASSY Y-KEY



TE Part #1897294-2  
ECU 154P HDR ASSY



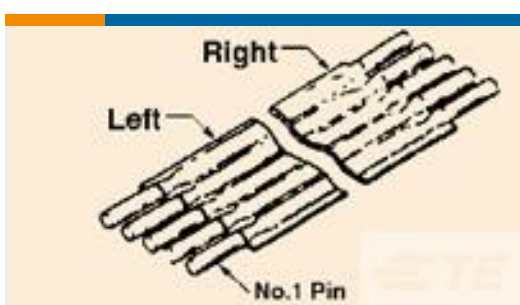
TE Part #DRC23-40PB-N010  
HDR, 40P, BLK, RA, AU/NI/CU, B



TE Part #2174918-1  
PUSH-PUSH SIM CONNECTOR  
SUPER LOWPROFILE



TE Part #2201800-1  
CAP HOUSING ASSEMBLY 80POS 0.5 /1.0



TE Part #6-1437137-3  
FSN-21.5A-30=NOMEX FS STD

## Documents



### Product Drawings

#### 040 MULTILOCK I/O CONN 12PASSY

Japanese

---

### CAD Files

#### Customer View Model

[ENG\\_CVM\\_CVM\\_174051-2\\_K.2d\\_dxf.zip](#)

English

#### 3D PDF

3D

#### Customer View Model

[ENG\\_CVM\\_CVM\\_174051-2\\_K.3d\\_igs.zip](#)

English

#### Customer View Model

[ENG\\_CVM\\_CVM\\_174051-2\\_K.3d\\_stp.zip](#)

English

By downloading the CAD file I accept and agree to the [Terms and Conditions](#) of use.

---

### Product Specifications

#### Product Specification

Japanese

#### Product Specification

Japanese

---

### Product Environmental Compliance

#### TE Material Declaration

English

---

### Instruction Sheets

#### Instruction Sheet (non U.S.)

English

#### 040 SERIES MULTI-LOCK CONNECTOR

English