



N Male to TNC Female Adapter

RF Adapters Technical Data Sheet

PE91537

Configuration

- N Male Connector 1
- TNC Female Connector 2
- 50 Ohm
- Straight Body Geometry

Features

- Max VSWR of 1.15:1 up to 18 GHz
- 4 μ m. Minimum contact plating
- Gold over Nickel Plated Beryllium Copper Contact

Applications

- Allows Connection Between Series
- General Purpose Test

Description

Pasternack's PE91537 type N male to TNC female adapter is part of our full line of RF components available for same-day shipping. Our type N to TNC adapter has a male to female gender configuration built of durable stainless steel. PE91537 type N male to TNC female adapter operates to 18 GHz. The Pasternack RF adapter provides excellent VSWR of 1.15:1 maximum.

RF adapters are often used to enable connections between two connector types that would otherwise not mate. Certain adapter configurations can also be used to protect connectors on expensive equipment where the number of connect/disconnect cycles is high. An RF, microwave or millimeter wave adapter is connected to the equipment, and the commonly changed connection is made with the adapter which can be easily replaced when it wears out after high usage; such adapters are referred to as connector savers. Pasternack also offers bulkhead, panel mount, hermetically sealed, reverse polarity, and isolated ground adapter varieties to serve all of your RF, microwave and millimeter wave needs.

Electrical Specifications

Description	Minimum	Typical	Maximum	Units
Frequency Range	DC		18	GHz
VSWR			1.15:1	

Mechanical Specifications

Size	
Length	1.85 in [46.99 mm]
Width	0.00 in [0.00 mm]
Height	0.00 in [0.00 mm]
Weight	0.09 lbs [40.66 g]

Description	Connector 1	Connector 2
Type	N Male	TNC Female
Polarity	Standard	Standard

Click the following link (or enter part number in "SEARCH" on website) to obtain additional part information including price, inventory and certifications: [N Male to TNC Female Adapter PE91537](#)



N Male to TNC Female Adapter

RF Adapters Technical Data Sheet

PE91537

Material Specifications

Description	Connector 1		Connector 2	
	Material	Plating	Material	Plating
Type	N Male		TNC Female	
Contact	Beryllium Copper	Gold over Nickel 4 µin. Minimum	Beryllium Copper	Gold over Nickel 4 µin. Minimum
Insulation	PTFE		PTFE	
Outer Conductor			Passivated Stainless Steel	
Body	Passivated Stainless Steel		Passivated Stainless Steel	
Gasket	Silicon			
Coupling Nut	Passivated Stainless Steel			

Environmental Specifications

Temperature

Operating Range -65 to +165 °C

Compliance Certifications (see [product page](#) for current document)

Plotted and Other Data

Notes:

N Male to TNC Female Adapter from Pasternack Enterprises has same day shipment for domestic and International orders. Our RF, microwave and millimeter wave products maintain a 99.4% availability and are part of the broadest selection in the industry.

Click the following link (or enter part number in "SEARCH" on website) to obtain additional part information including price, inventory and certifications: [N Male to TNC Female Adapter PE91537](#)

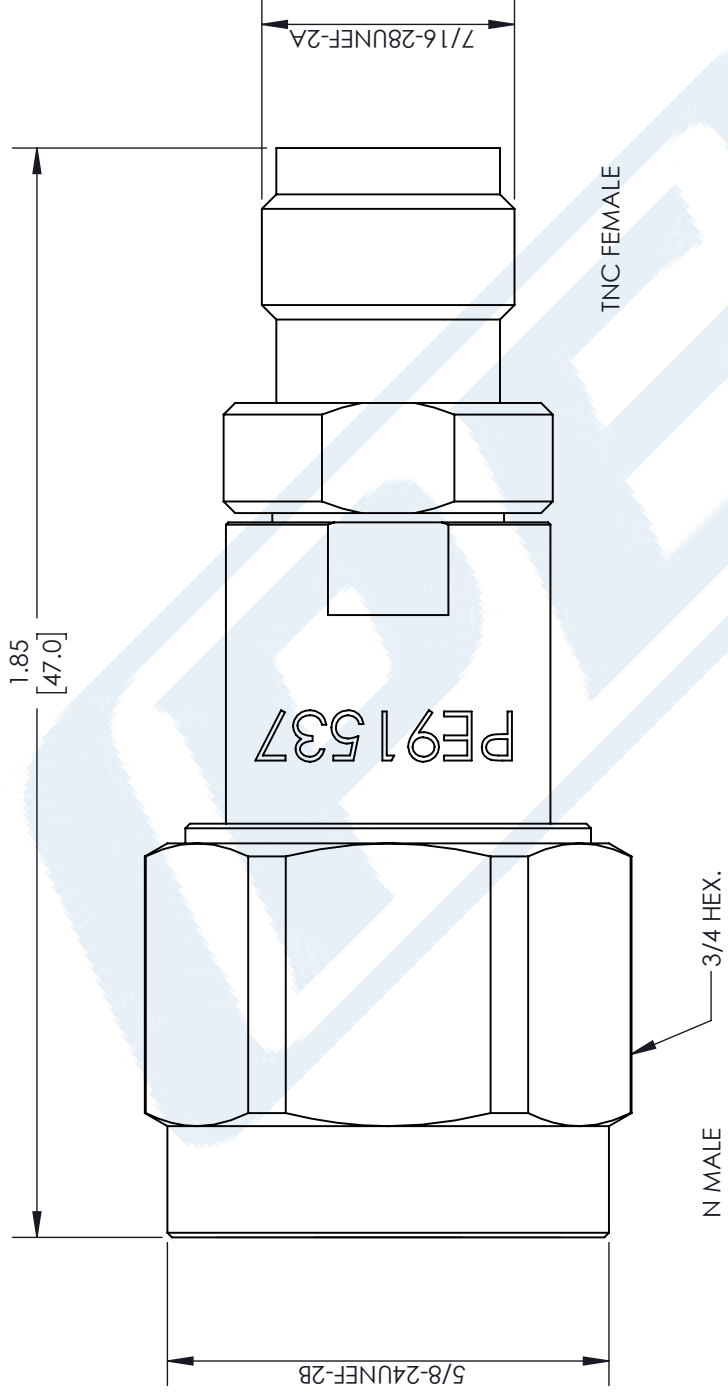
URL: <https://www.pasternack.com/n-male-tnc-female-straight-adapter-pe91537-p.aspx>

The information contained in this document is accurate to the best of our knowledge and representative of the part described herein. It may be necessary to make modifications to the part and/or the documentation of the part, in order to implement improvements. Pasternack reserves the right to make such changes as required. Unless otherwise stated, all specifications are nominal. Pasternack does not make any representation or warranty regarding the suitability of the part described herein for any particular purpose, and Pasternack does not assume any liability arising out of the use of any part or documentation.

PE91537 CAD Drawing

N Male to TNC Female Adapter

REVISIONS			
REV.	DESCRIPTION	DATE	APPROVED
A	INITIAL RELEASE	02/15/2021	SELLIS



<p>UNLESS OTHERWISE SPECIFIED LEADING DIMENSIONS ARE INCHES DIMENSIONS IN [] ARE MILLIMETERS</p> <p>TOLERANCES:</p> <p>.X = ±.2 [.008] FRACTIONS ± 1/32 .XX = ±.02 [.51] ANGLES ± 1° .XXX = ±.005 [.13]</p> <p>CABLE LENGTH (L), TOLERANCES: L ≤ 12 [305] = +1 [25] / -0 12 [305] < L ≤ 60 [1524] = +2 [51] / -0 60 [1524] < L ≤ 120 [3048] = +4 [102] / -0 120 [3048] < L ≤ 300 [7620] = +6 [152] / -0 300 [7620] < L = +5% / -0</p> <p>ALL DIMENSIONS SHOWN ARE FOR REFERENCE ONLY.</p>	<p>PE PASTERNAK an INFINITI® brand</p> <p>Pasternack Enterprises, Inc. P. O. Box 16759, Irvine, CA 92623. Phone: 1.949.261.1920 1.866.727.8376 Fax: 1.949.261.7451 Website: www.pasternack.com E-mail: sales@pasternack.com</p>	<p>THIRD-ANGLE PROJECTION</p> <p>THE INFORMATION AND DESIGN IN THIS DOCUMENT IS THE PROPERTY OF PASTERNAK CORPORATION ALL RIGHTS RESERVED.</p> <p>SHEET 1 OF 1</p> <p>SCALE N/A</p>
	<p>SIZE A CAGE CODE 53919 DRAWN BY MVEERAPPAN ITEM NO. PE91537</p>	<p>REV A</p>

THESE COMMODITIES, TECHNOLOGY OR SOFTWARE WERE EXPORTED FROM THE UNITED STATES IN ACCORDANCE WITH THE EXPORT ADMINISTRATION REGULATIONS. DIVERSION CONTRARY TO U.S. LAW PROHIBITED.