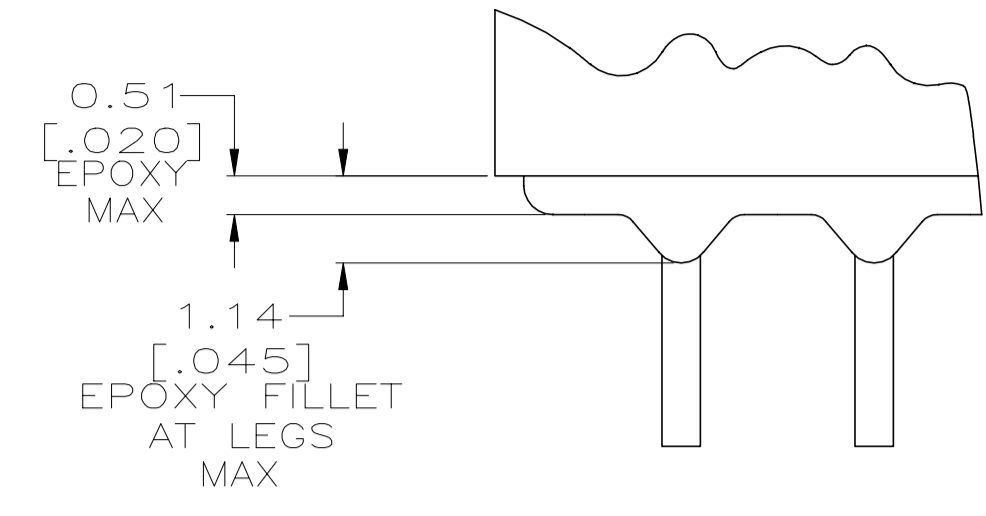
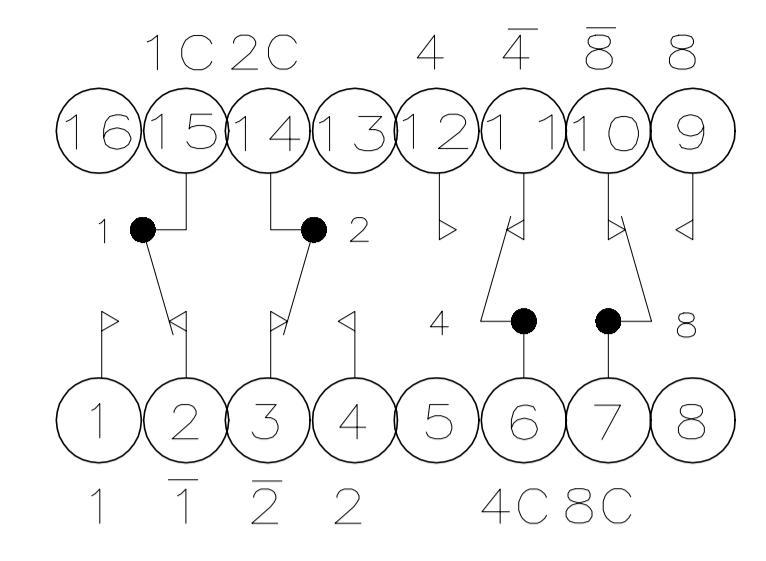


REVISIONS					
P	LTR	DESCRIPTION	DATE	DRN	APVD
S		ECO-20-004897	24AUG2020	SB	JB

- 1. SLOT FOR SCREWDRIVER ACTUATION.
- 2. FOR ADDITIONAL SPECIFICATIONS SEE AMP PRODUCT SPEC 108-7066 AND INSTRUCTION SHEET 6811.
- 3. SWITCH BOTTOM IS SEALED.
- 4. CONTACT FINISH TO BE 0.00076 [.000030] GOLD OVER NICKEL.
- 5. MATERIAL:
HOUSING : BLACK POLYESTER
CONTACTS : BERYLLIUM COPPER.
- 6. MARKS WILL BE ADDED BY LASER MARK PROCESS.



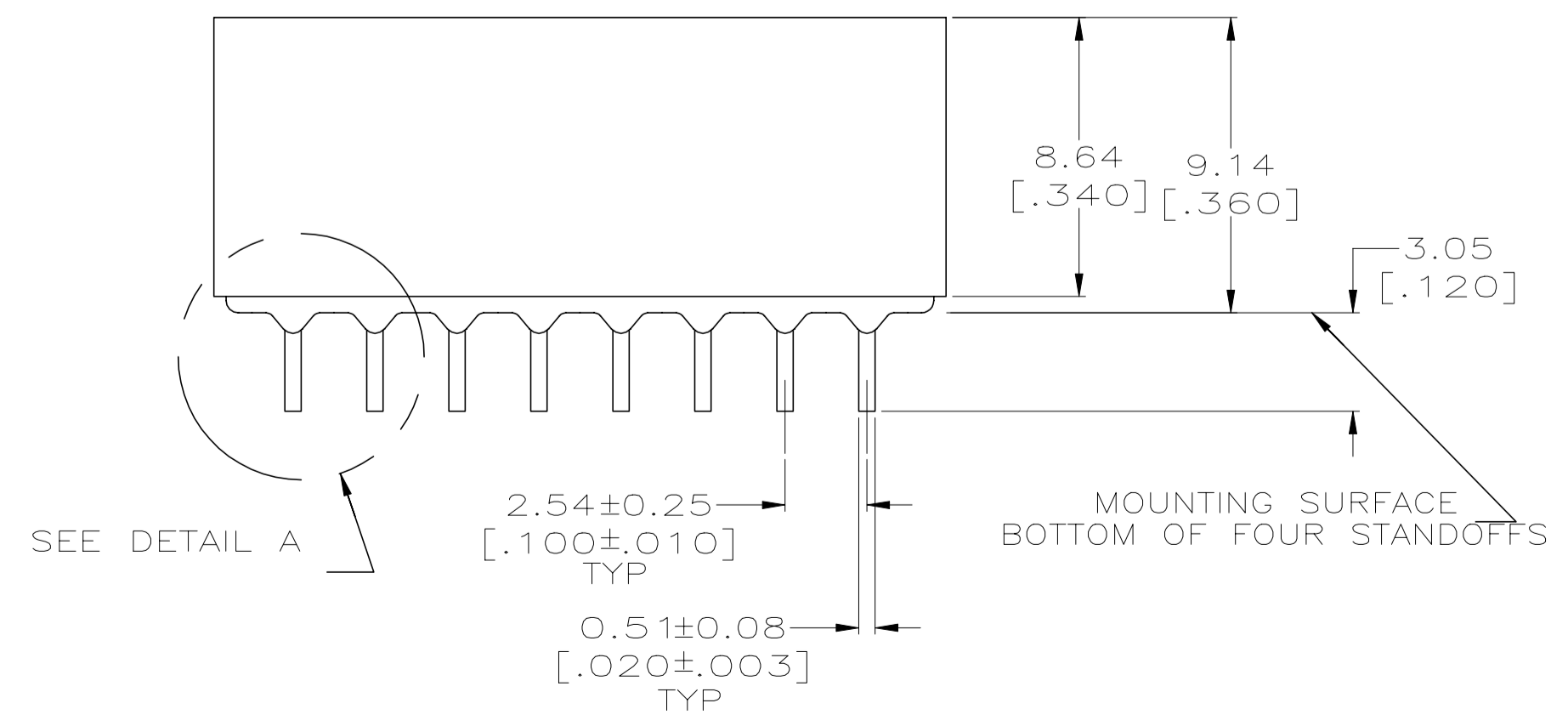
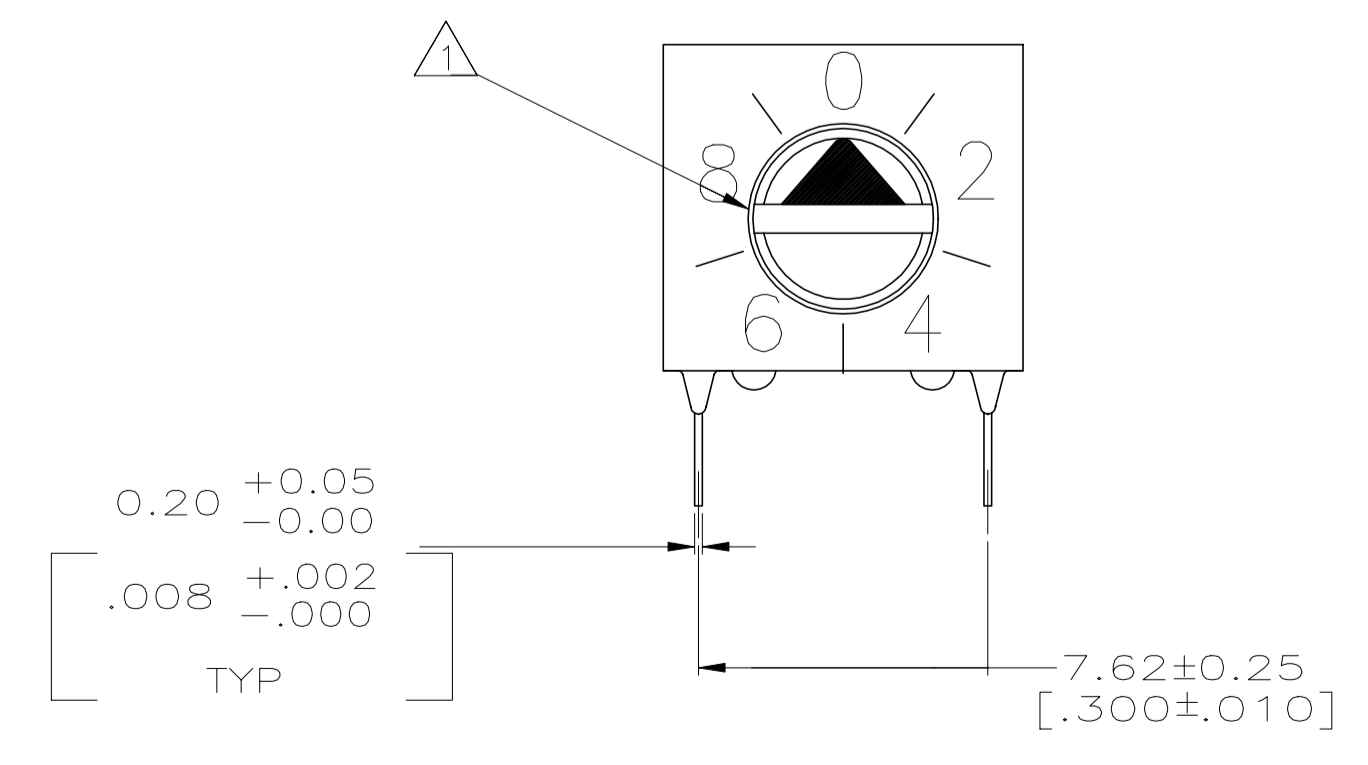
DETAIL A
SCALE 10:1



SCHEMATIC
(POSITION 0)

		POSITION									
		0	1	2	3	4	5	6	7	8	9
COMMON TO	1		●		●		●		●		●
	2			●	●			●	●		
	4					●	●	●	●		
	8									●	●
	1	●		●		●		●		●	
	2	●	●			●	●			●	●
	4	●	●	●	●					●	●
	8	●	●	●	●	●	●	●	●		

BCD WITH COMPLEMENT



53919-2
PART NUMBER

THIS DRAWING IS A CONTROLLED DOCUMENT.		DWN W.SORAH 1-8-97	TE Connectivity SWITCH ASSY, PREPROGRAMMED DIP, 10 POSITION, SCREWDRIVER SLOT
DIMENSIONS:		DRN R.TALLEY 1-8-97	
INCHES		APVD J.ROBB 1-8-97	
TOLERANCES UNLESS OTHERWISE SPECIFIED:		NAME	RESTRICTED TO
0 PLC ± -	PRODUCT SPEC	SIZE CAGE CODE DRAWING NO	A1 00779 C=53919-2
1 PLC ± -	APPLICATION SPEC	WEIGHT	SCALE 5:1 SHEET 1 OF 1 REV S
2 PLC ± 0.30 [012]	CUSTOMER DRAWING		
3 PLC ± -			
4 PLC ± -			
ANGLES ± -			
FINISH			