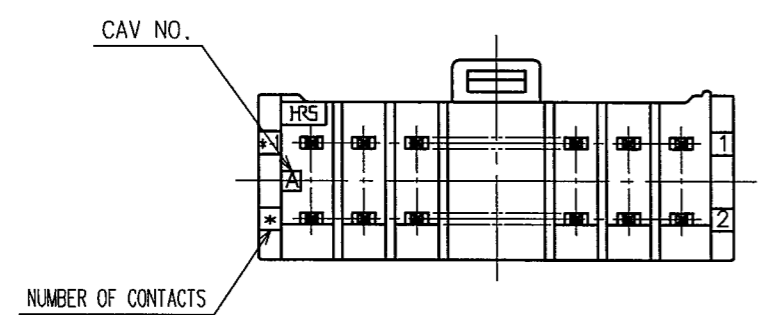
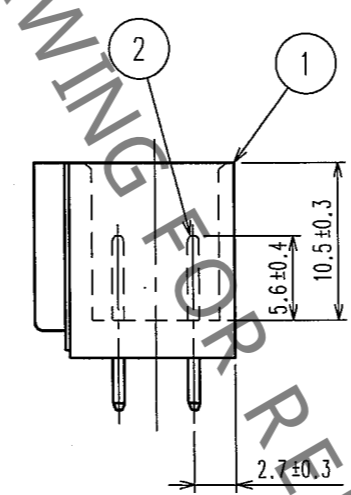
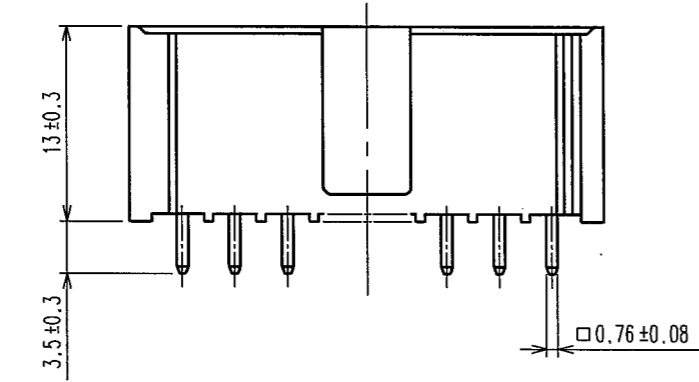
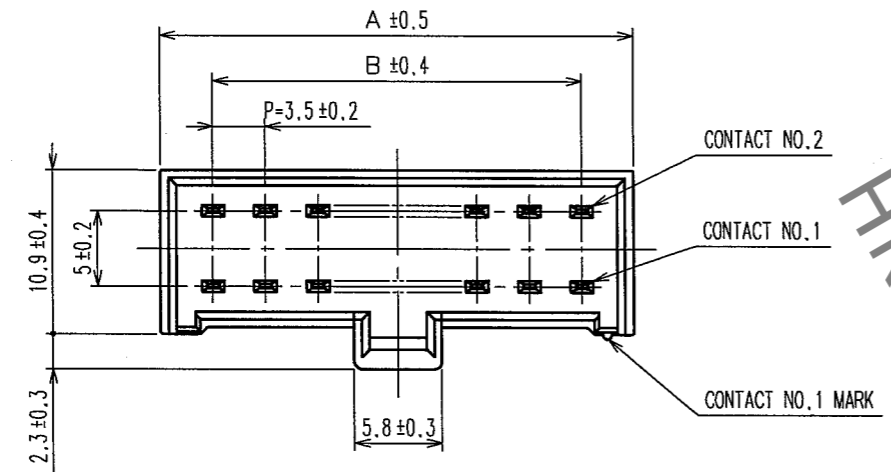


COUNT	DESCRIPTION OF REVISIONS	BY	CHKD	DATE	COUNT	DESCRIPTION OF REVISIONS	BY	CHKD	DATE
△				..	△				..
△				..	△				..
△				..	△				..



CODE NO.	PART NO.	NUMBER OF CONTACTS	A	B
CL547-0083-2-05	MDF6- 4DP-3.5DSA(05)	4	10.5	3.5
CL547-0084-5-05	MDF6- 6DP-3.5DSA(05)	6	14.0	7.0
CL547-0085-8-05	MDF6- 8DP-3.5DSA(05)	8	17.5	10.5
CL547-0086-0-05	MDF6-10DP-3.5DSA(05)	10	21.0	14.0
CL547-0087-3-05	MDF6-12DP-3.5DSA(05)	12	24.5	17.5
CL547-0088-6-05	MDF6-14DP-3.5DSA(05)	14	28.0	21.0
CL547-0089-9-05	MDF6-16DP-3.5DSA(05)	16	31.5	24.5
CL547-0090-8-05	MDF6-18DP-3.5DSA(05)	18	35.0	28.0
CL547-0091-0-05	MDF6-20DP-3.5DSA(05)	20	38.5	31.5

NOTE 1 : RECOMMENDED PC BOARD HOLE DIAMETER  $\phi 1.3^{+0.1}_0$

1	POLYAMIDE	WHITE, UL94V-0	2	BRASS	SURFACE:TIN-COPPER PLATED 1μm min UNDER PLATING:NICKEL 0.5μm min
NO.	MATERIAL	FINISH, REMARKS	NO.	MATERIAL	FINISH, REMARKS
CODE NO. (OLD) CL		DRAWN M.Nakamoto '04.04.16	DESIGNED H.Usuhara '04.04.16	CHECKED J. Ono 04.04.16	APPROVED J. Ono 04.04.16
DRAWING NO. EDC3-160046-10		PART NO. MDF6-*DP-3.5DSA(05)		CODE NO. CL547-	
SCALE 10: 1		UNITS mm		HRS HIROSE ELECTRIC CO., LTD	

TO