



## Main

|                               |   |
|-------------------------------|---|
| Range of Product              | Telemecanique Photoelectric sensors XU                |
| Series name                   | General purpose single mode                           |
| Electronic sensor type        | Photo-electric sensor                                 |
| Sensor name                   | XUK   |
| Sensor design                 | Compact 50 x 50                                       |
| Detection system              | Polarised reflex                                      |
| Material                      | Plastic   |
| Type of output signal         | Discrete  |
| Supply circuit type           | AC/DC   |
| Wiring Technique              | 5-wire  |
| Discrete output function      | 1 C/O   |
| Electrical connection         | Cable   |
| Cable length                  | 16.40 ft (5 m)  |
| Product Specific Application  | -   |
| Emission                      | Red polarised reflex                                  |
| [Sn] nominal sensing distance | 19.69 ft (6 m) polarised reflex need reflector XUZC50 |

## Complementary

|                                |   |
|--------------------------------|---|
| Enclosure Material             | PBT   |
| Lens material                  | PMMA  |
| Maximum sensing distance       | 26.25 ft (8 m) polarised reflex   |
| Output Type                    | Relay   |
| Wire insulation material       | PVC   |
| Status LED                     | 1 LED green)supply on<br>1 LED yellow)output state                                      |
| [Us] rated supply voltage      | 24...240 V AC/DC  |
| Supply voltage limits          | 20...264 V AC<br>20...264 V DC  |
| Switching capacity in mA       | 3 A $\cos \varphi = 1$ for 0.5 million cycles at 1 operating cycle per second at 250 V) |
| Switching frequency            | $\leq 20$ Hz  |
| Maximum voltage drop           | $< 1.5$ V closed state)   |
| Current consumption            | $\leq 35$ mA no-load  |
| Maximum power consumption in W | 2 W AC  |
| Maximum delay first up         | 60 ms   |
| Maximum delay response         | 25 ms   |
| Maximum delay recovery         | 25 ms   |
| Setting-up                     | Without sensitivity adjustment  |
| Electrical durability          | 500000 cycles 1 60 cyc/mn 250 V   |
| Depth                          | 1.97 in (50 mm)   |
| Height                         | 1.97 in (50 mm)   |
| Width                          | 0.71 in (18 mm)   |
| Net Weight                     | 0.33 lb(US) (0.15 kg)   |

The information provided in this documentation contains general descriptions and/or technical characteristics of the performance of the products contained herein. This documentation is not intended as a substitute for and is not to be used for determining suitability or reliability of these products for specific user applications. It is the duty of any such user or integrator to perform the appropriate and complete risk analysis, evaluation and testing of the products with respect to the relevant specific application or use thereof. Neither Schneider Electric Industries SAS nor any of its affiliates or subsidiaries shall be responsible or liable for misuse of the information contained herein.

## Environment

|                                       |  |
|---------------------------------------|--|
| Product Certifications                | Ecolab<br>CE                             |
| Ambient air temperature for operation | -13...131 °F (-25...55 °C)               |
| Ambient Air Temperature for Storage   | -40...158 °F (-40...70 °C)               |
| Vibration resistance                  | 7 gn +/- 1.5 mm 10...55 Hz IEC 60068-2-6 |
| Shock resistance                      | 30 gn 11 ms) IEC 60947-5-2               |
| IP degree of protection               | IP65 double insulation IEC 60529         |

## Ordering and shipping details

|                       |   |
|-----------------------|---|
| Category              | 21571-SENSORS, ELECTRONIC BASIC XU & XS |
| Discount Schedule     | DS2                                     |
| GTIN                  | 3389110703924                           |
| Nbr. of units in pkg. | 1                                       |
| Package weight(Lbs)   | 11.50 oz (326.0 g)                      |
| Returnability         | No                                      |
| Country of origin     | ID                                      |

## Packing Units

|                              |                        |
|------------------------------|------------------------|
| Unit Type of Package 1       | PCE                    |
| Package 1 Height             | 1.97 in (5 cm)         |
| Package 1 width              | 5.12 in (13 cm)        |
| Package 1 Length             | 5.12 in (13 cm)        |
| Unit Type of Package 2       | S02                    |
| Number of Units in Package 2 | 1                      |
| Package 2 Weight             | 16.05 oz (455.0 g)     |
| Package 2 Height             | 5.91 in (15 cm)        |
| Package 2 width              | 11.81 in (30 cm)       |
| Package 2 Length             | 15.75 in (40 cm)       |
| Unit Type of Package 3       | S01                    |
| Number of Units in Package 3 | 10                     |
| Package 3 Weight             | 7.56 lb(US) (3.431 kg) |
| Package 3 Height             | 5.91 in (15 cm)        |
| Package 3 width              | 5.91 in (15 cm)        |
| Package 3 Length             | 15.75 in (40 cm)       |

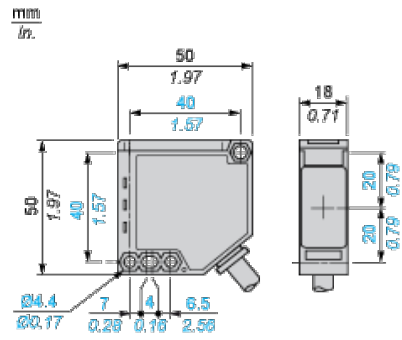
## Offer Sustainability

|                            |   |
|----------------------------|---|
| Sustainable offer status   | Green Premium product   |
| California proposition 65  | WARNING: This product can expose you to chemicals including: Diisononyl phthalate (DINP), which is known to the State of California to cause cancer, and Di-isodecyl phthalate (DIDP), which is known to the State of California to cause birth defects or other reproductive harm. For more information go to <a href="http://www.P65Warnings.ca.gov">www.P65Warnings.ca.gov</a> |
| REACH Regulation           | <a href="#">REACH Declaration</a>   |
| EU RoHS Directive          | Pro-active compliance (Product out of EU RoHS legal scope) <a href="#">EU RoHS Declaration</a>  |
| Mercury free               | Yes   |
| RoHS exemption information | <a href="#">Yes</a>   |
| Environmental Disclosure   | <a href="#">Product Environmental Profile</a>   |
| Circularity Profile        | <a href="#">End Of Life Information</a>   |

## Contractual warranty

|          |           |
|----------|-----------|
| Warranty | 18 months |
|----------|-----------|

## Dimensions

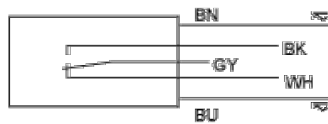


---

## Wiring Schemes

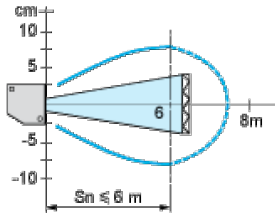
---

### Relay Output



BN : Brown  
BU : Blue  
NO/ Black  
BK :  
RelayGrey  
common/  
GY :  
NC/ White  
WH :

## Detection Curves



With reflector XUZY50