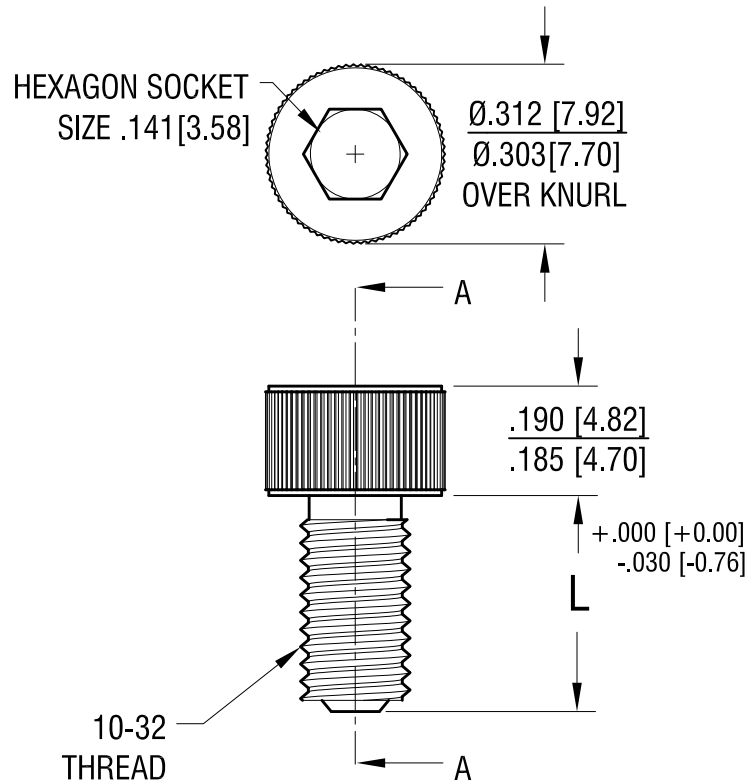


THIS DOCUMENT IS THE PROPERTY OF  
KEYSTONE ELECTRONICS CORP. AND  
SHALL NOT BE REPRODUCED, DISTRIBUTED  
OR USED AS A BASIS FOR MANUFACTURE  
WITHOUT PRIOR WRITTEN PERMISSION  
FROM KEYSTONE ELECTRONICS CORP.

**ACTUAL SIZE**



P/N 21006



|             |                                   |
|-------------|-----------------------------------|
| PART NUMBER | L +.000 [+0.000]<br>-.030 [-0.76] |
| 21004       | .250 [6.35]                       |
| 21006       | .375 [9.52]                       |
| 21008       | .500 [12.70]                      |
| 21010       | .625 [15.87]                      |
| 21012       | .750 [19.04]                      |
| 21016       | 1.000 [25.40]                     |

**KEYSTONE ELECTRONICS CORP.**

www.keyelco.com • NEW HYDE PARK, NY 11040 • Tel (516) 328-7500

|                            |                           |                   |               |
|----------------------------|---------------------------|-------------------|---------------|
| PART NAME                  |                           | SOCKET HEAD SCREW |               |
| MATERIAL                   |                           | TITANIUM, GRADE 2 |               |
| FINISH                     | NONE                      | DRN BY            | NT            |
|                            |                           | DATE              | 9.10.20       |
|                            |                           | APP'D             | RH            |
|                            |                           | SCALE             | 3X            |
| TOLERANCES                 | INCH [MM]                 | CODE              | DWG NO.       |
| DECIMAL                    | $\pm .005$ [ $\pm 0.13$ ] | C                 | 21004 - 21016 |
| ANGULAR                    | $\pm 1^\circ$             |                   |               |
| UNLESS OTHERWISE SPECIFIED |                           |                   |               |

|      |             |      |
|------|-------------|------|
| DATE | DESCRIPTION | REV. |
|------|-------------|------|