

THIS DRAWING IS UNPUBLISHED.

RELEASED FOR PUBLICATION

ALL RIGHTS RESERVED.

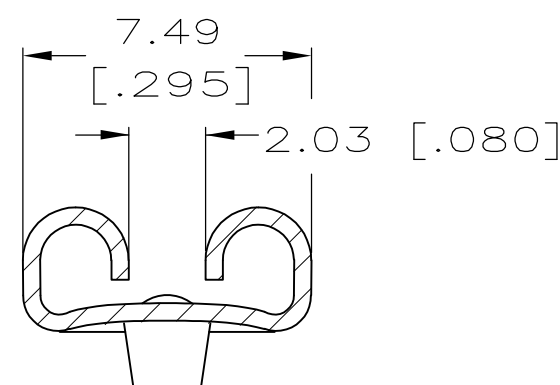
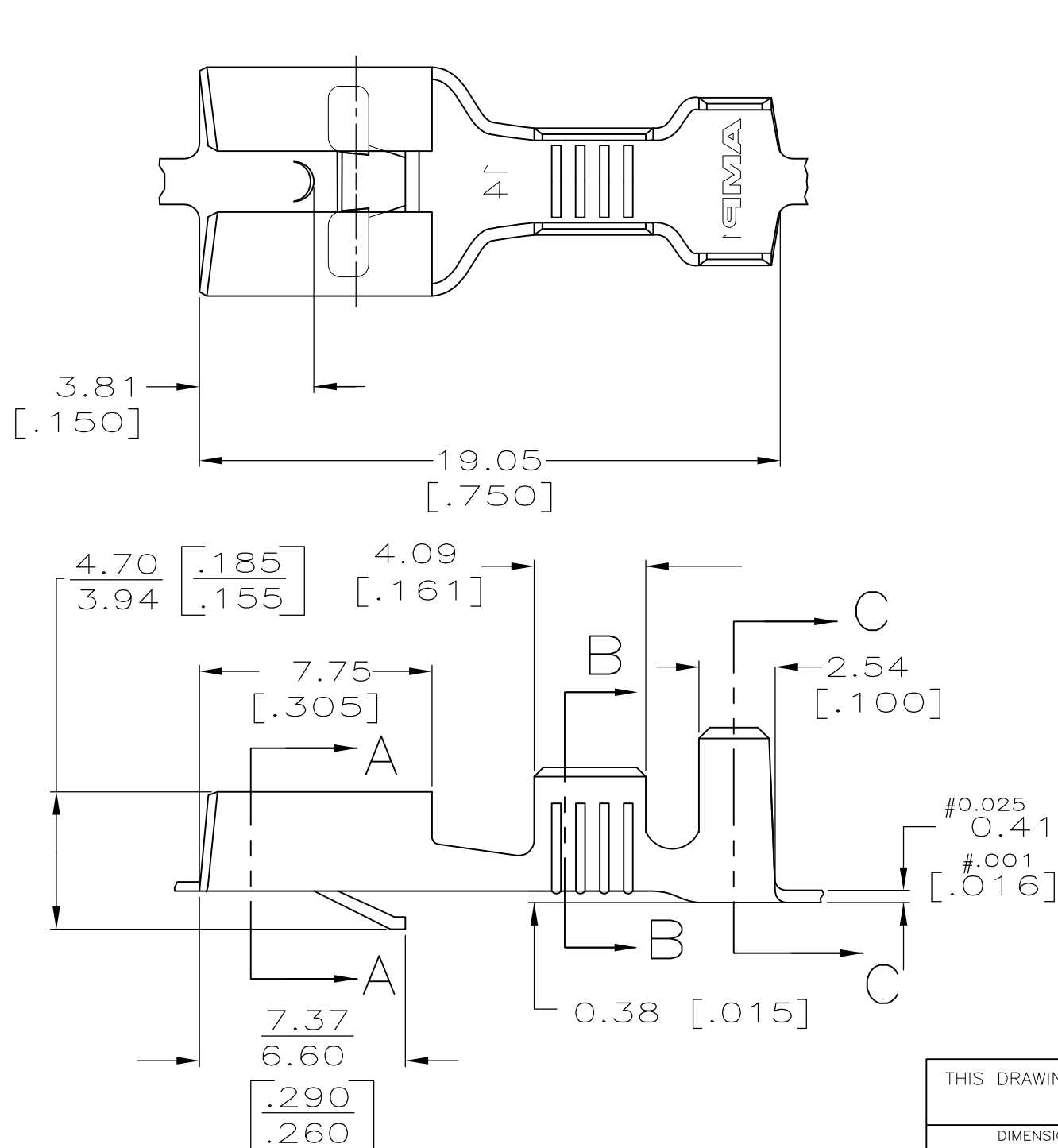
© COPYRIGHT - By -

LOC AF DIST 50

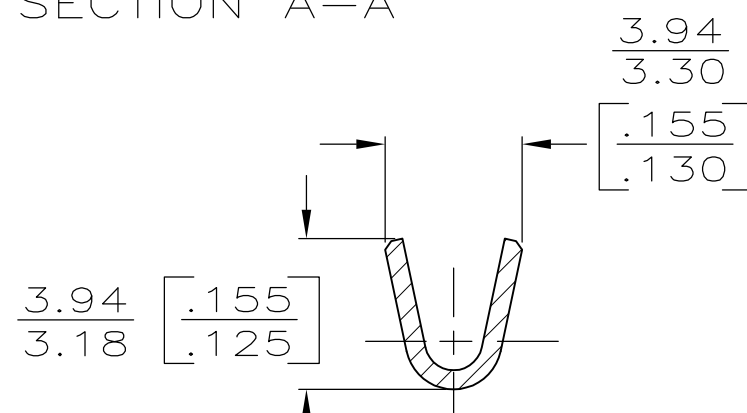
REVISIONS

| P | LTR | DESCRIPTION | DATE | DWN | APVD |
|---|-----|---------------------------|-----------|-----|------|
| | AH | REVISED PER ECR-13-005733 | 28AUG2013 | KH | PD |

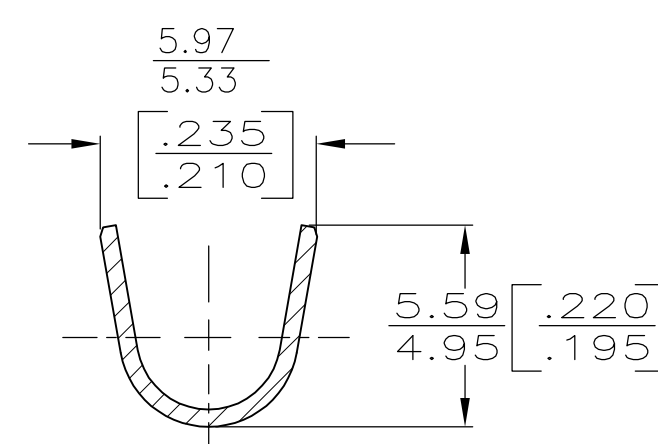
1 CONTINUOUS STRIP ON REELS.



SECTION A-A



SECTION B-B



SECTION C-C

| | | | |
|----------------------------------|---------------------------------------|---------------------------------|---------|
| 2.54-4.32 DIA [.100-.170] DIA | 0.8-2.0mm ² [18-14] AWG | 0.81 [.032] | 60634-1 |
| INSUL RANGE | WIRE SIZE | MATING TAB THK ±0.025 [.001] | PART NO |

| | | | | |
|--|--|--------------------------|--|-----------|
| THIS DRAWING IS A CONTROLLED DOCUMENT. | | DWN JR RUTH 8/19/93 | STE TE Connectivity | |
| DIMENSIONS: mm [INCHES] | | CHK MS FEHER 8/19/93 | | |
| TOLERANCES UNLESS OTHERWISE SPECIFIED: | | APVD J GILLESPIE 8/19/93 | NAME | |
| 0 PLC ± - | | PRODUCT SPEC | RECEPTACLE, FASTIN-FASTON, 6.35 [.250] SERIES | |
| 1 PLC ± - | | APPLICATION SPEC | SIZE | CAGE CODE |
| 2 PLC ± 0.25 [.010] | | 114-2025 | DRAWING NO | |
| 3 PLC ± - | | WEIGHT - | RESTRICTED TO | |
| 4 PLC ± - | | CUSTOMER DRAWING | A300779 C-60634 | |
| ANGLES ± - | | SCALE 5:1 | SHEET 1 OF 1 | REV AH |
| FINISH - | | | | |
| MATERIAL BRASS | | | | |