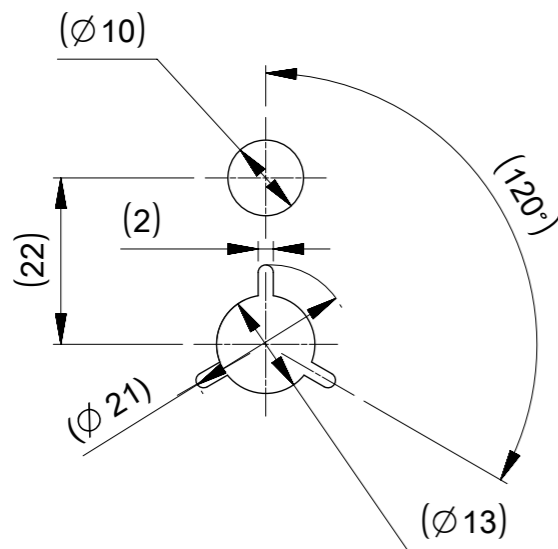
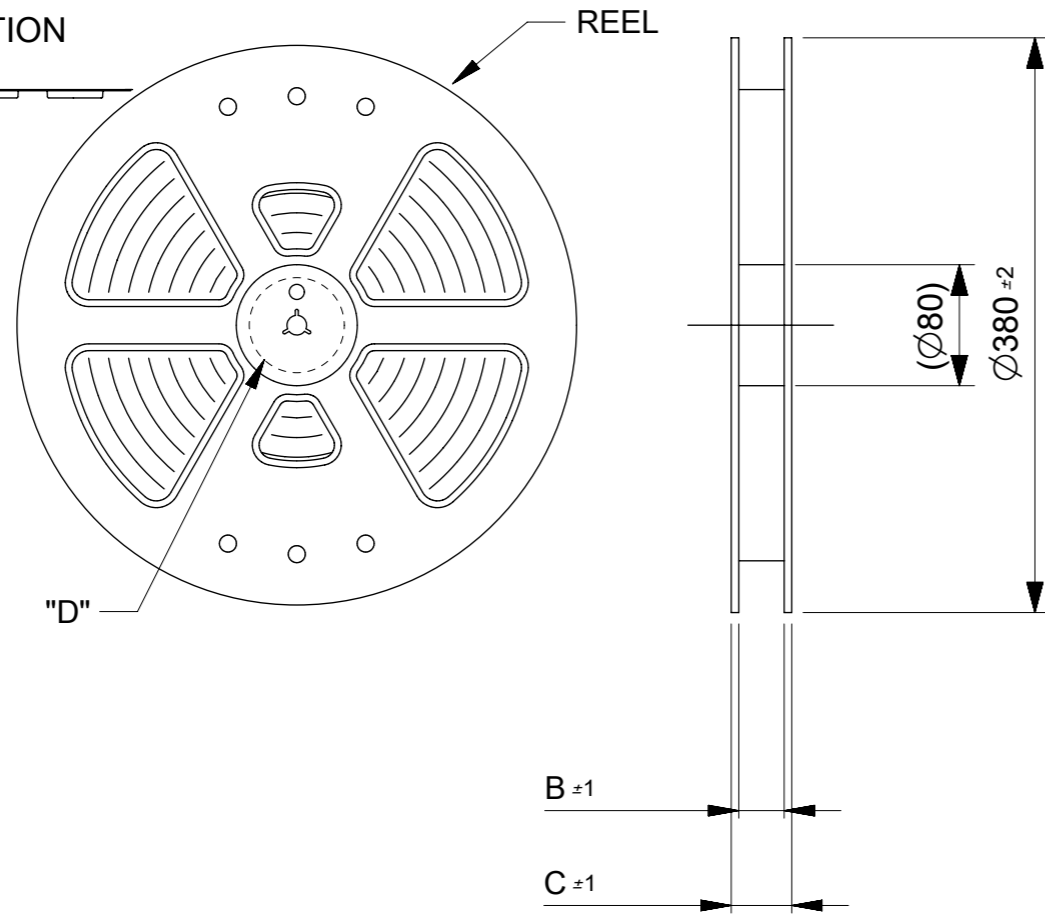


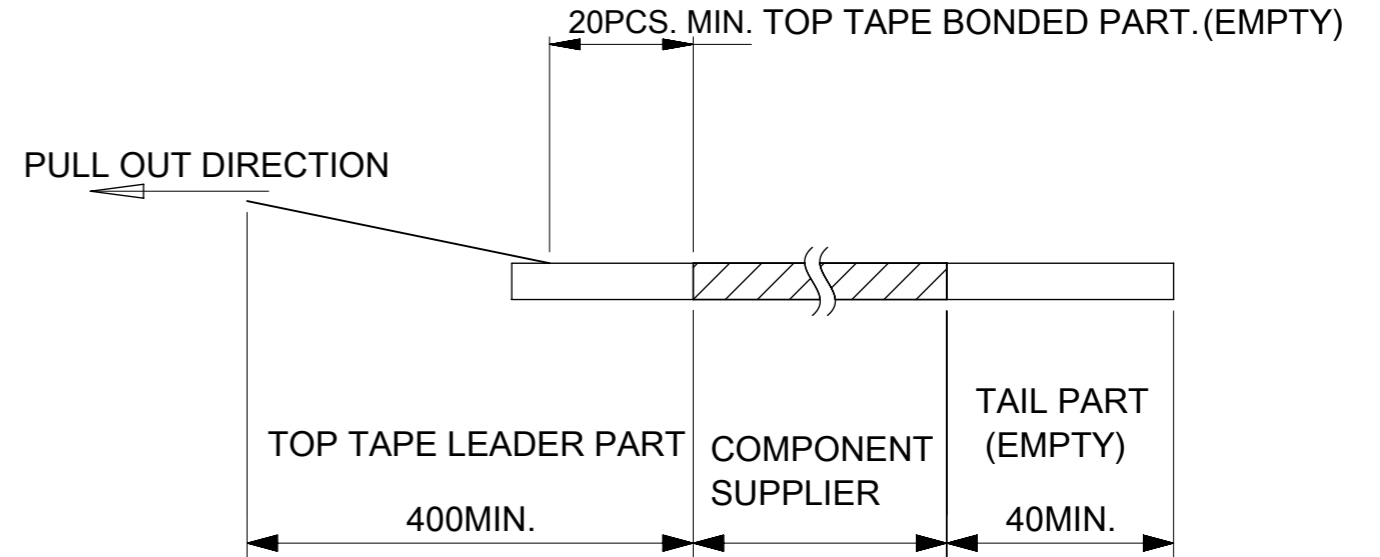
PULL OUT DIRECTION



DETAIL "D"

NOTES

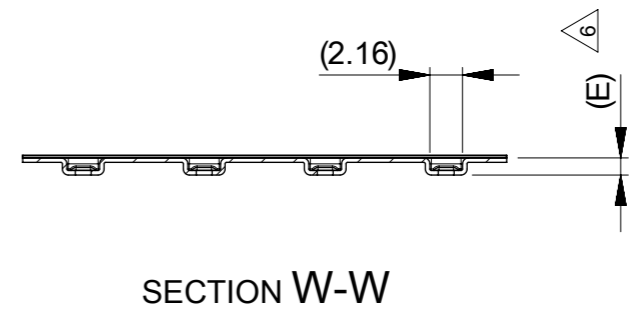
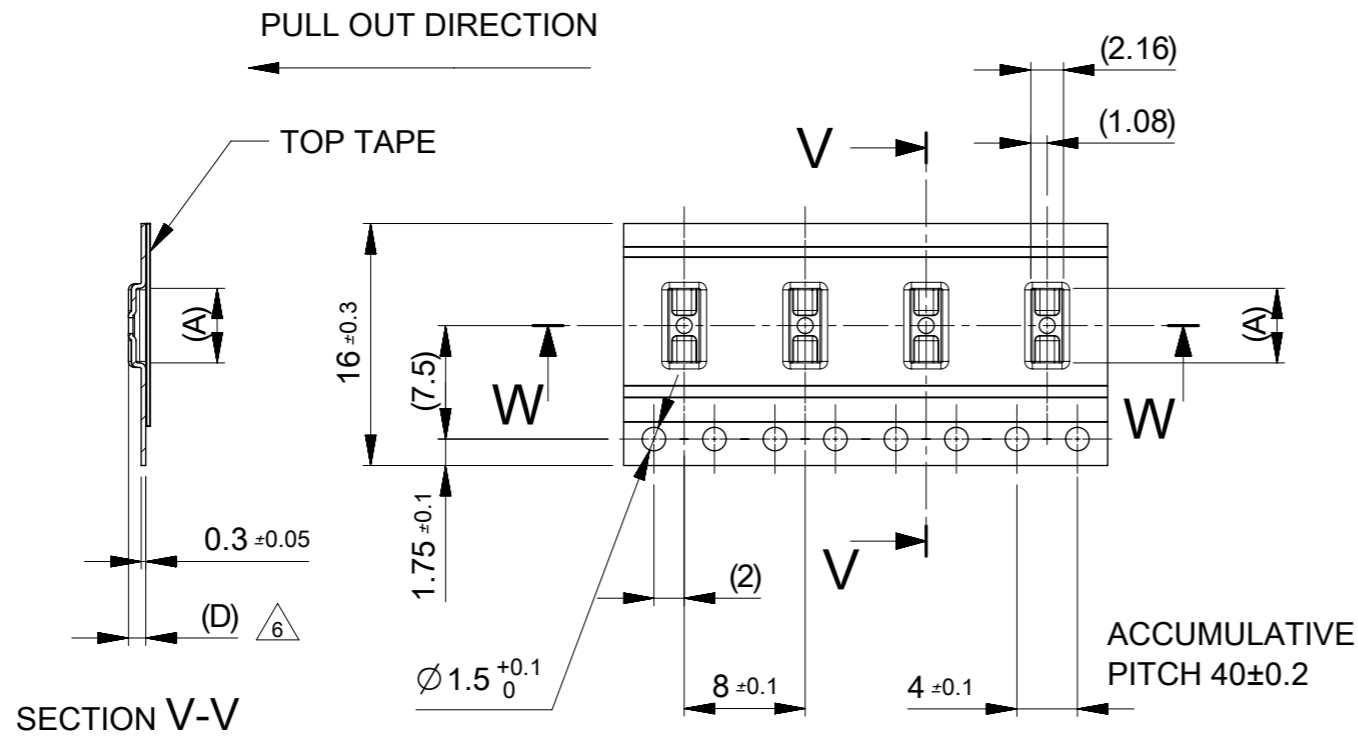
- RE DETAILED DIMENSION, SEE PRODUCT DRAWING.
- NUMBER OF CONNECTORS : 8000 PCS/REEL.
- LEAD TAPE LENGTH.



- TOP TAPE PEEL FORCE IS DEFINED BY IEC60286-3
- MATERIAL  
CARRER TAPE :POLYSTYRENE  
TOP TAPE :PET , OTHER  
REEL :POLYSTYRENE(PS)(RECYCLE MATERIAL CONTAINED)
- △ ONLY 6 CIRCUIT IS DIFFERENT IN THIS DIMENSION.

MODEL NO. 505070-\*\*42

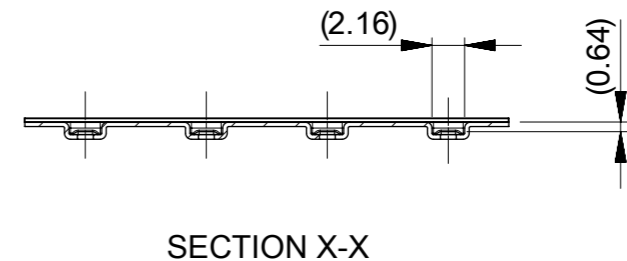
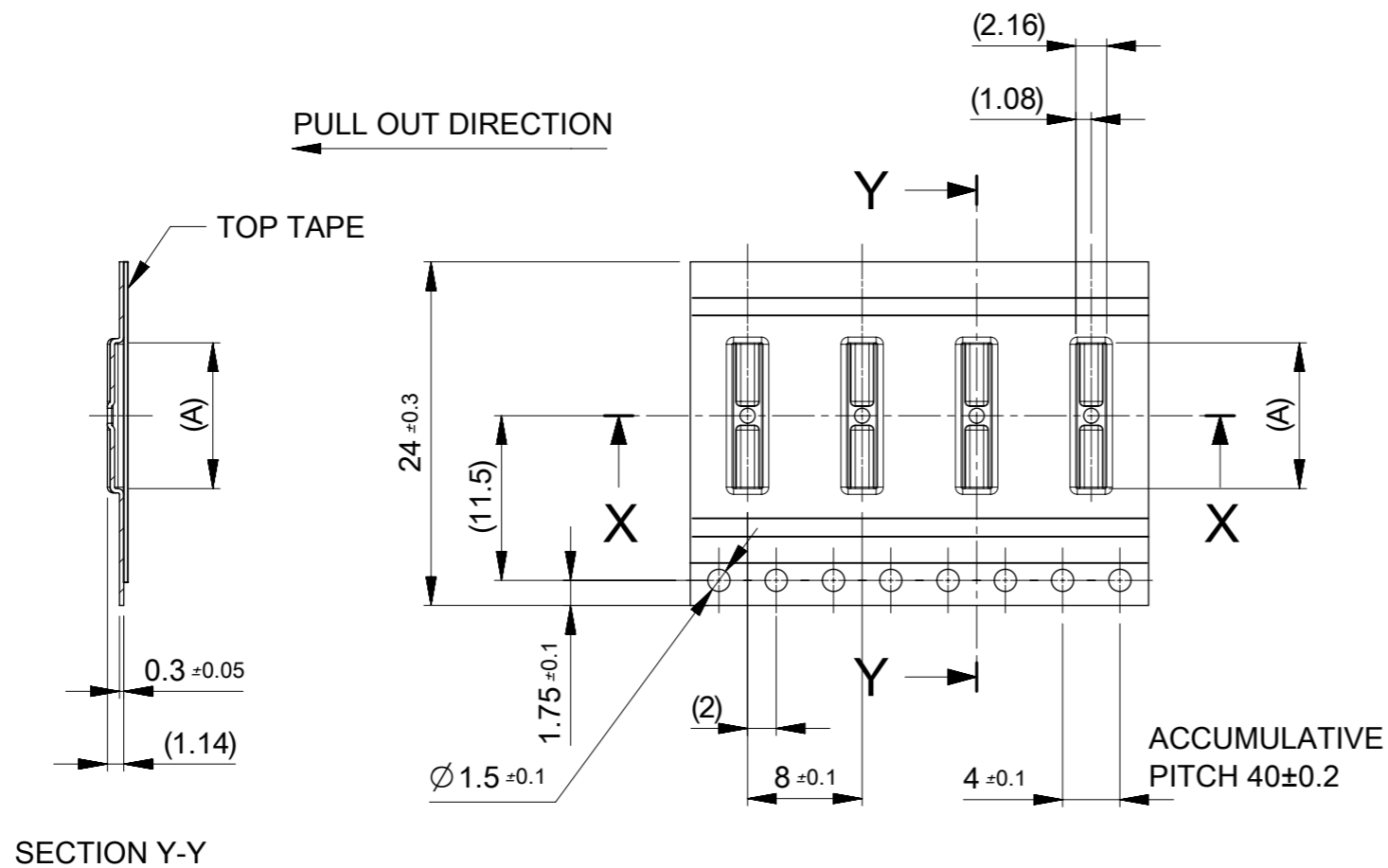
THIS DRAWING CONTAINS INFORMATION THAT IS PROPRIETARY TO MOLEX ELECTRONIC TECHNOLOGIES, LLC AND SHOULD NOT BE USED WITHOUT WRITTEN PERMISSION									
DIMENSION UNITS		SCALE		CURRENT REV DESC: REVISED				<b>molex</b>	
mm		1:5							
GENERAL TOLERANCES (UNLESS SPECIFIED)				EC NO: 612826				0.35 BB CONN. H=0.6 SSB6 RP PLUG ASSY	
ANGULAR TOL ± 1.0 °				DRWN: GSHARMA 2019/02/22					
4 PLACES ± 0.01				CHK'D: MSASAO 2019/02/27					
3 PLACES ± 0.03				APPR: MSASAO 2019/02/27					
2 PLACES ± 0.05				INITIAL REVISION:				DOCUMENT NUMBER	
1 PLACE ± 0.1				DRWN: TNISHIDA02 2017/03/28				5050700000	
0 PLACES ± 0.2				APPR: TKUSUHARA01 2017/04/03				PSD 008 C	
DRAFT WHERE APPLICABLE MUST REMAIN WITHIN DIMENSIONS		THIRD ANGLE PROJECTION		DRAWING		SERIES		MATERIAL NUMBER	
				A3-SIZE		505070		CUSTOMER	
						GENERAL		SHEET NUMBER	
								1 OF 3	



16	0.64	1.14	21.4	17.4	6.68	505070-3042	○	---	30				
					5.63	505070-2442	○	---	24				
					5.28	505070-2242	○	---	22				
					4.93	505070-2042	○	---	20				
					4.58	505070-1842	---	---	18				
					4.23	505070-1642	○	---	16				
					3.88	505070-1442	○	---	14				
					3.53	505070-1242	○	---	12				
					3.18	505070-1042	○	---	10				
					2.78	505070-0842	○	---	8				
	0.66	1.16			2.43	505070-0642	○	---	6				
キャリアテープ幅 CARRIER TAPE WIDTH					(E)	(D)	C	B	(A)	MATERIAL No.	HIGH VOL. TOOL	LOW VOL. TOOL	CIRCUIT
											SAMPLE PREPARATION		

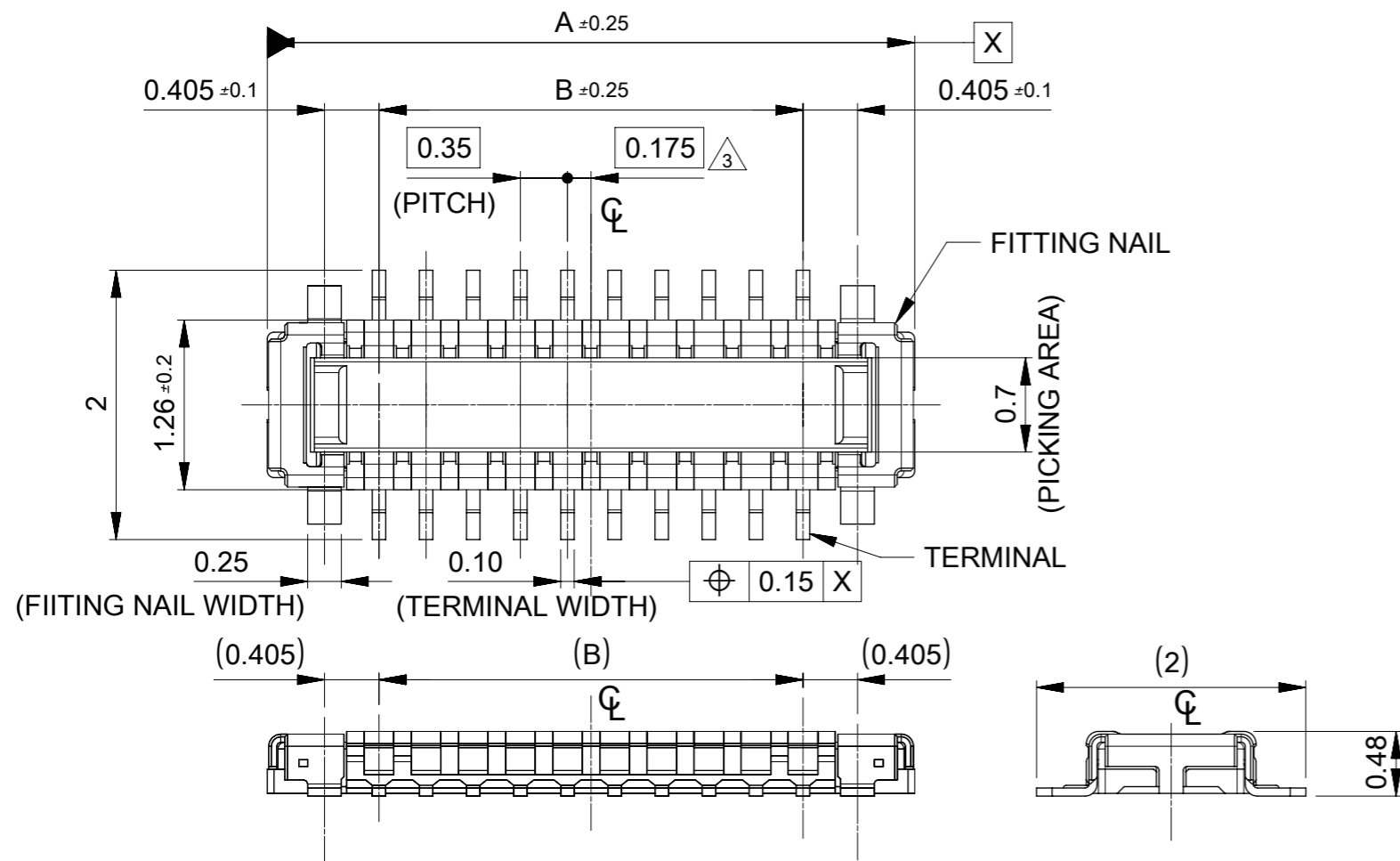
THIS DRAWING CONTAINS INFORMATION THAT IS PROPRIETARY TO MOLEX ELECTRONIC TECHNOLOGIES, LLC AND SHOULD NOT BE USED WITHOUT WRITTEN PERMISSION

DIMENSION UNITS mm	SCALE 2:1	CURRENT REV DESC: REVISED		<b>molex</b>	
GENERAL TOLERANCES (UNLESS SPECIFIED)		EC NO: 612826			
ANGULAR TOL ± 1.0°	4 PLACES ± 0.01	DRWN: GSHARMA	2019/02/22	PRODUCT CUSTOMER DRAWING	
3 PLACES ± 0.03	2 PLACES ± 0.05	CHK'D: MSASAO	2019/02/27	DOCUMENT NUMBER	
1 PLACE ± 0.1	0 PLACES ± 0.2	APPR: MSASAO	2019/02/27	5050700000	
DRAFT WHERE APPLICABLE MUST REMAIN WITHIN DIMENSIONS		INITIAL REVISION:		DOC TYPE	DOC PART
THIRD ANGLE PROJECTION		DRWN: TNISHIDA02	2017/03/28	PSD	008
DRAWING		APPR: TKUSUHARA01	2017/04/03	REVISION	C
A3-SIZE		SERIES	505070	MATERIAL NUMBER	CUSTOMER
				GENERAL	SHEET NUMBER
				2 OF 3	



24	29.4	25.4	12.63	505070-6442	---	---	64
			11.93	505070-6042	---	---	60
			10.88	505070-5442	○	---	54
			10.18	505070-5042	○	---	50
			9.83	505070-4842	○	---	48
			9.48	505070-4642	---	---	46
			8.78	505070-4242	○	---	42
			8.43	505070-4042	○	---	40
			7.38	505070-3442	○	---	34
7.03	505070-3242	---	---	32			
キャリアテープ幅 CARRIER TAPE WIDTH	C	B	(A)	MATERIAL No.	HIGH VOL TOOL	LOW VOL TOOL	CIRCUIT
					SAMPLE PREPARATION		

DIMENSION UNITS		SCALE	CURRENT REV DESC: REVISED			
mm		2:1				
GENERAL TOLERANCES (UNLESS SPECIFIED)						
ANGULAR TOL ± 1.0°						
4 PLACES ± 0.01						
3 PLACES ± 0.03						
2 PLACES ± 0.05						
1 PLACE ± 0.1						
0 PLACES ± 0.2						
DRAFT WHERE APPLICABLE MUST REMAIN WITHIN DIMENSIONS			THIRD ANGLE PROJECTION	DRAWING	SERIES	MATERIAL NUMBER
				A3-SIZE	505070	
DOCUMENT STATUS			P1		RELEASE DATE	2019/02/27 05:28:37
<div style="display: flex; justify-content: space-between;"> <div> <p><b>molex</b></p> <p>0.35 BB CONN. H=0.6 SSB6 RP PLUG ASSY</p> <p>PRODUCT CUSTOMER DRAWING</p> </div> <div> <p>EC NO: 612826</p> <p>DRWN: GSHARMA 2019/02/22</p> <p>CHK'D: MSASAO 2019/02/27</p> <p>APPR: MSASAO 2019/02/27</p> <p>INITIAL REVISION:</p> <p>DRWN: TNISHIDA02 2017/03/28</p> <p>APPR: TKUSUHARA01 2017/04/03</p> </div> <div> <p>DOCUMENT NUMBER</p> <p>5050700000</p> <p>DOC TYPE</p> <p>PSD</p> <p>DOC PART</p> <p>008</p> <p>REVISION</p> <p>C</p> </div> <div> <p>CUSTOMER</p> <p>GENERAL</p> <p>SHEET NUMBER</p> <p>3 OF 3</p> </div> </div>						



- 1 MATERIAL  
 WAFER: LIQUID CRYSTAL POLYMER UL94V-0 (COLOR: BLACK)  
 TERMINAL: COPPER ALLOY  
 FITTING NAIL: COPPER ALLOY
- 2 PLATING  
 TERMINAL:  
 CONTACT AREA: SEPARATED GOLD PLATING (0.1 MICROMETER MINIMUM).  
 SOLDER TAIL AREA: SEPARATED GOLD PLATING.  
 UNDERPLATE: NICKEL OVERALL.  
 \*DIVIDE INTO PARTS THE GOLD PLATING OF THE CONTACT AND THE TAIL PART BY THE NICKEL PLATING.
- FITTING NAIL:  
 CONTACT AREA: SEPARATED GOLD PLATING (0.1 MICROMETER MINIMUM).  
 SOLDER TAIL AREA: SEPARATED GOLD PLATING.  
 UNDERPLATE: NICKEL OVERALL.  
 \*DIVIDE INTO PARTS THE GOLD PLATING OF THE CONTACT AND THE TAIL PART BY THE NICKEL PLATING.  
 \*EVEN THOUGH GOLD PLATING ON THE TOP SURFACE OF NAIL MIGHT BE THIN, NO FUNCTIONAL PROBLEM.

- 3 APPLY FOR (CIRCUIT/2)=EVEN.
- 4 MATE WITH: 505066\*\*22 (H=0.6), 505270\*\*12 (H=0.7)
- 5 TAIL AND FITTING NAIL COPLANARITY TO BE 0.08 MAXIMUM.
- 6 PROHIBITED AREA OF PATTERN WIRING AND SOLDER.  
 (FOR EACH AREA, THE WIRING THAT TOUCHES ON THE SOLDER CAN BE ATTACHED, THEN COVERED WITH A FILM TO KEEP SOLDER OUT).
- 7 THIS DIMENSION SHOWS THE DIMENSION BETWEEN SOLDERING SURFACE OF SOLDER TAILS.

14.76	14.16	11.90	13.56	505070-7042	---	---	70
13.71	13.11	10.85	12.51	505070-6442	---	---	64
13.01	12.41	10.15	11.81	505070-6042	---	---	60
12.66	12.06	9.80	11.46	505070-5842	---	---	58
11.96	11.36	9.10	10.76	505070-5442	○	---	54
11.26	10.66	8.40	10.06	505070-5042	○	---	50
10.91	10.31	8.05	9.71	505070-4842	○	---	48
10.56	9.96	7.70	9.36	505070-4642	---	---	46
9.86	9.26	7.00	8.66	505070-4242	○	---	42
9.51	8.91	6.65	8.31	505070-4042	○	---	40
9.16	8.56	6.30	7.96	505070-3842	---	---	38
8.46	7.86	5.60	7.26	505070-3442	○	---	34
8.11	7.51	5.25	6.91	505070-3242	---	---	32
7.76	7.16	4.90	6.56	505070-3042	○	---	30
7.41	6.81	4.55	6.21	505070-2842	---	---	28
6.71	6.11	3.85	5.51	505070-2442	○	---	24
6.36	5.76	3.50	5.16	505070-2242	○	---	22
6.01	5.41	3.15	4.81	505070-2042	○	---	20
5.66	5.06	2.80	4.46	505070-1842	---	---	18
5.31	4.71	2.45	4.11	505070-1642	○	---	16
4.96	4.36	2.10	3.76	505070-1442	○	---	14
4.61	4.01	1.75	3.41	505070-1242	○	---	12
4.26	3.66	1.40	3.06	505070-1042	○	---	10
3.91	3.31	1.05	2.71	505070-0842	○	---	8
3.56	2.96	0.70	2.36	505070-0642	○	---	6

D	C	B	A	EMBOSSED TAPE PACKAGE	HIGH VOL. TOOL	LOW VOL. TOOL	CIRCUIT
				ORDER NO.	SAMPLE PREPARATION ○: TOOLED △: WORK IN PROCESS ---: TOOLING TO BE CONFIRMED		

CONNECTOR SERIES NO. : 505070-\*\*39

THIS DRAWING CONTAINS INFORMATION THAT IS PROPRIETARY TO MOLEX ELECTRONIC TECHNOLOGIES, LLC AND SHOULD NOT BE USED WITHOUT WRITTEN PERMISSION

CURRENT REV DESC: REVISED

**molex**

0.35 BB CONN. SSB6 RP PLUG ASSY

PRODUCT CUSTOMER DRAWING

DOCUMENT NUMBER: 5050701000  
 DOC TYPE: PSD  
 DOC PART: 020  
 REVISION: D

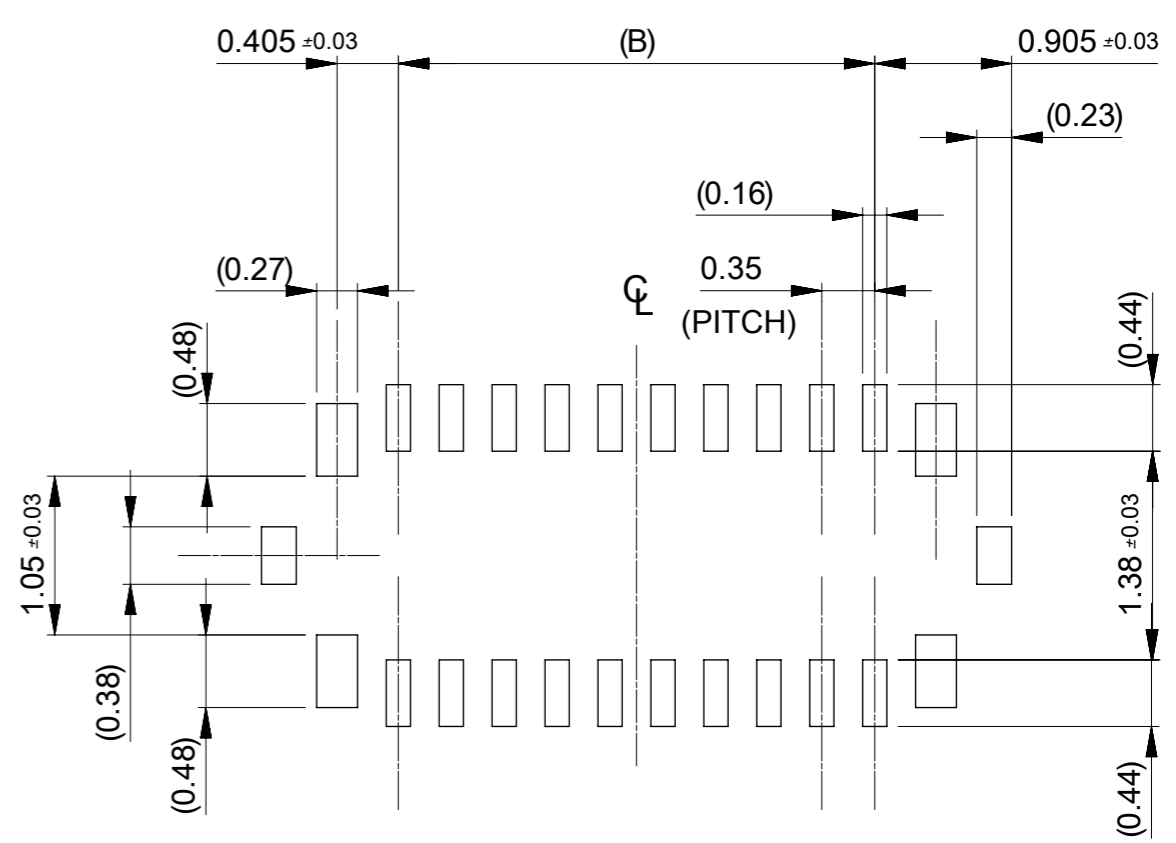
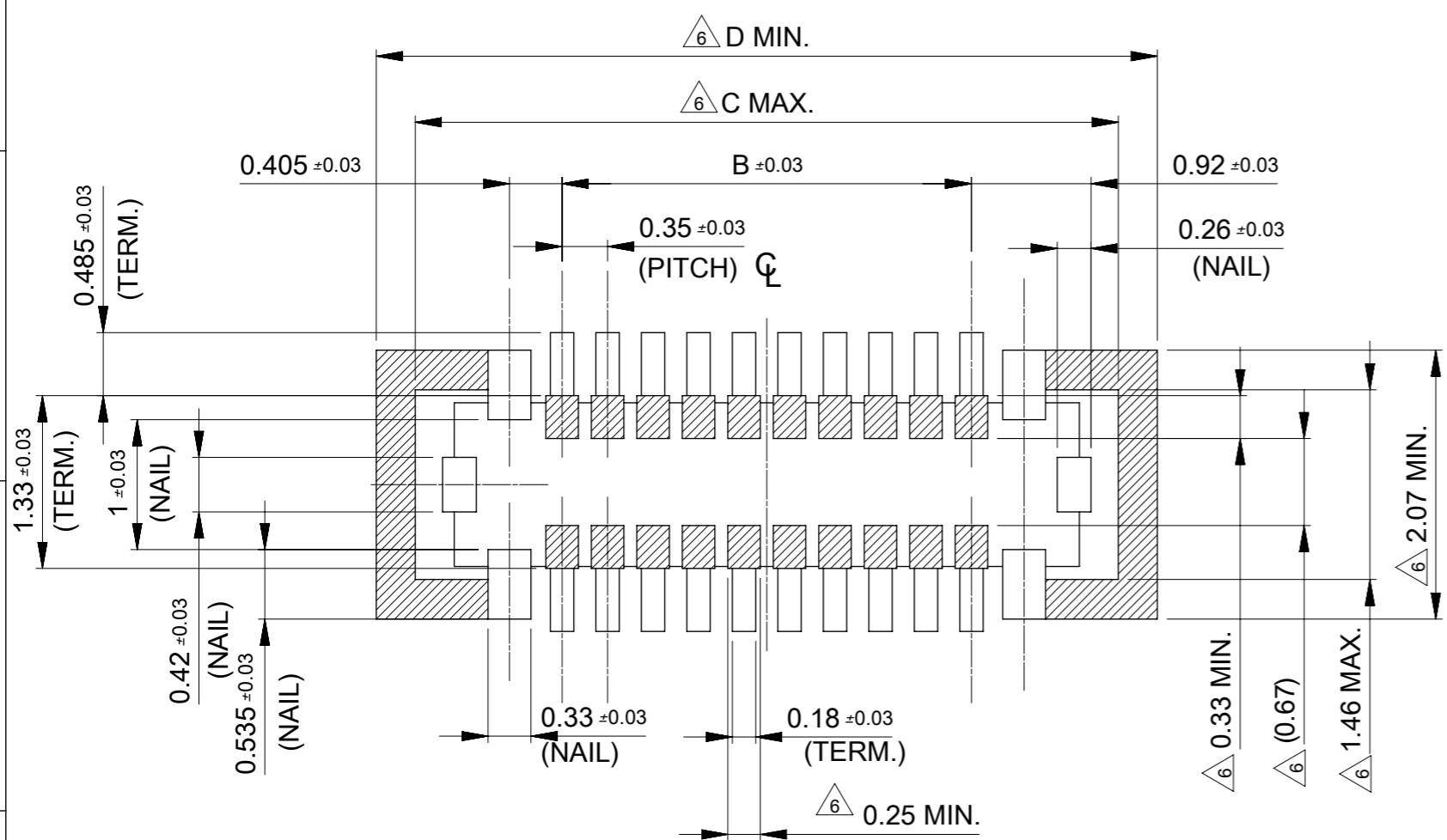
EC NO: 646121  
 DRWN: YSEKI01 2019/09/19  
 CHK'D: STERUKI 2020/09/28  
 APPR: YNAITO 2020/09/28

INITIAL REVISION:  
 DRWN: TNISHIDA02 2017/03/28  
 APPR: TKUSUHARA01 2017/04/03

DRAFT WHERE APPLICABLE MUST REMAIN WITHIN DIMENSIONS

THIRD ANGLE PROJECTION

DRAWING: A3-SIZE  
 SERIES: 505070  
 MATERIAL NUMBER: GENERAL  
 CUSTOMER: GENERAL  
 SHEET NUMBER: 1 OF 2

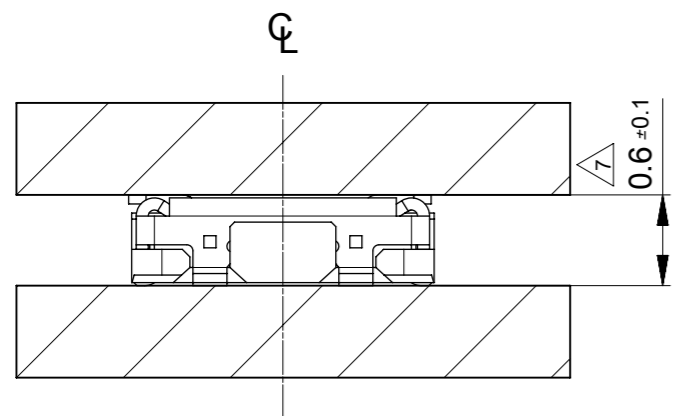


RECOMENDED P.W.BOARD PATTERN LAYOUT(REFFRECE)

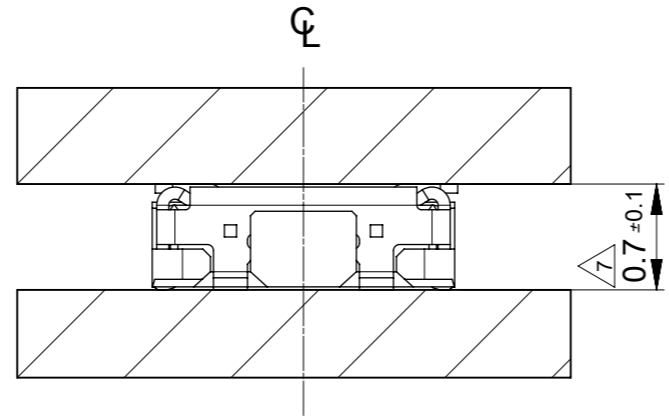
$\triangle_6$  PROHIBITED AREA OF PATTERN WIRING AND SOLDER.  
 (FOR EACH AREA, THE WIRING THAT TOUCHES ON THE SOLDER  
 CAN BE ATTACHED, THEN COVERED WITH A FILM TO KEEP SOLDER OUT.)

RECOMENDED METAL MASK LAYOUT(REFFRECE)

RECOMMENDED THICKNESS OF METAL MASK :  $t=0.08\text{MM}$   
 RECOMMENDED OPEN APERTURE RATIO OF METAL MASK : 80%



MATED CONDITION (505066/505070)



MATED CONDITION (505270/505070)

THIS DRAWING CONTAINS INFORMATION THAT IS PROPRIETARY TO MOLEX ELECTRONIC TECHNOLOGIES, LLC AND SHOULD NOT BE USED WITHOUT WRITTEN PERMISSION		CURRENT REV DESC: REVISED		<b>molex</b>	
DIMENSION UNITS	SCALE				
mm	20:1			0.35 BB CONN. SSB6 RP PLUG ASSY	
GENERAL TOLERANCES (UNLESS SPECIFIED)				PRODUCT CUSTOMER DRAWING	
ANGULAR TOL	± 1.0 °	EC NO: 646121		DOCUMENT NUMBER	DOC TYPE DOC PART REVISION
4 PLACES	± 0.01	DRWN: YSEKI01	2019/09/19	5050701000	PSD 020 D
3 PLACES	± 0.03	CHK'D: STERUKI	2020/09/28		
2 PLACES	± 0.05	APPR: YNAITO	2020/09/28		
1 PLACE	± 0.1	INITIAL REVISION:			
0 PLACES	± 0.2	DRWN: TNISHIDA02	2017/03/28		
DRAFT WHERE APPLICABLE MUST REMAIN WITHIN DIMENSIONS		APPR: TKUSUHARA01	2017/04/03		
THIRD ANGLE PROJECTION		DRAWING	SERIES	MATERIAL NUMBER	CUSTOMER
		A3-SIZE	505070		GENERAL
		SHEET NUMBER		2 OF 2	