



# Slide Beam2424-152

SKU: 60834 Weight: 92.80 Gram

## What Is Slide Beam2424-152?

Slide Beam2424-152 is a frequently-used mechanical part of Makeblock platform, and also compatibles with most Makeblock mechanical components. There are various mounting holes and a threaded slot on the plane of this beam which allow you to assemble on other structures easily.

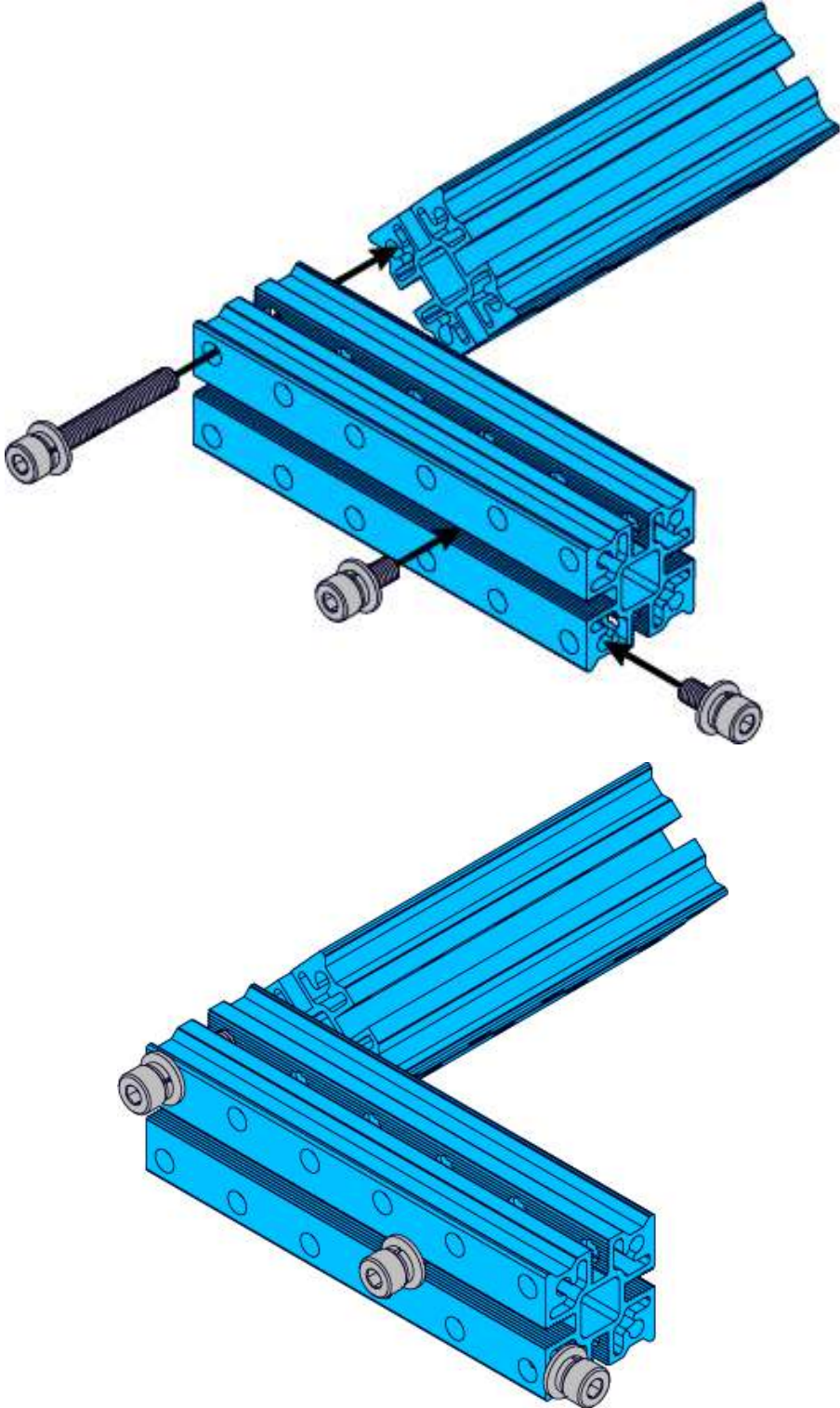
## Features

? Made from heavy-duty 6061 aluminum extrusion and has a nice appearance. With holes on 16mm increments, and M4 threaded holes on both ends.

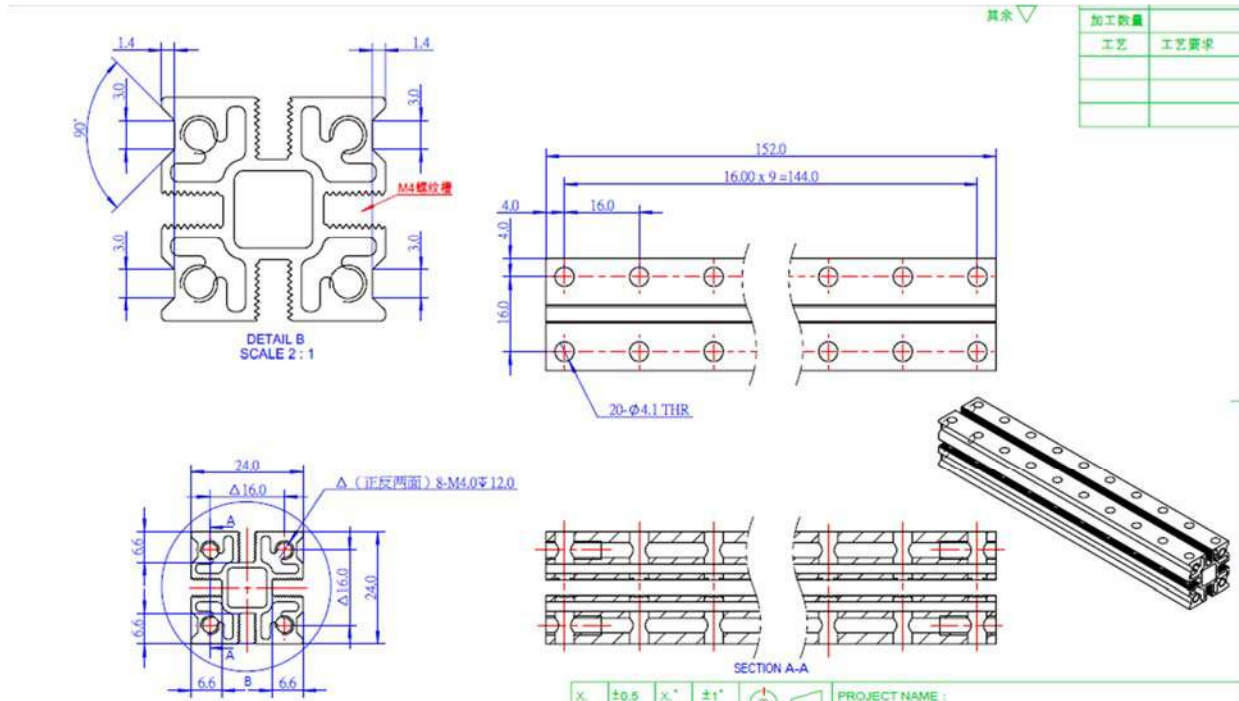
? High wear resistance, strong rigidity and high intensity.

? Cross-section area: 24\*24mm, length: 152mm.

DEMO



# Size Charts



## Specifications

SKU	60834
Product Name	Slide Beam2424-152
Length	152mm
Cross-section Area	24x24x152mm
Gross Weight	92.8g(3.27oz)
Package Content (Quantity x Part Name)	1 x Slide Beam2424-152