

# EdgeReady™ Micro Data Center



Full-Size Floor-Standing, 38U Usable, 3 kVA (N+N), 230V

## Benefits

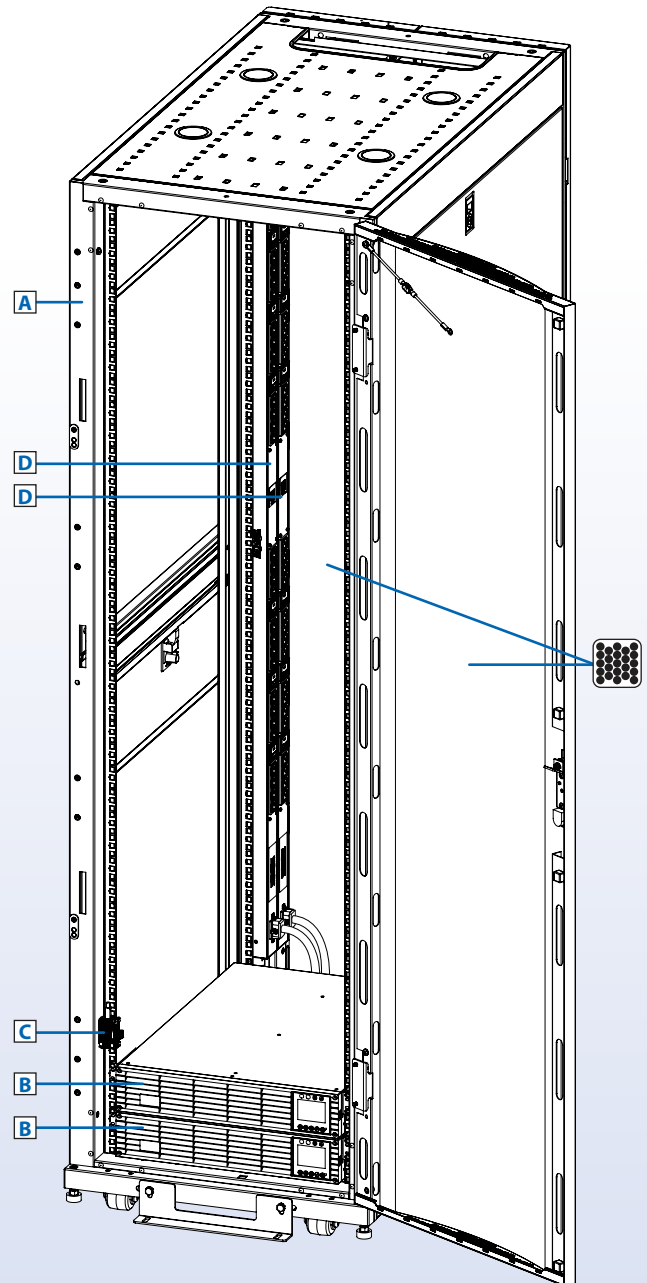
- Provides preconfigured IT infrastructure for edge computing servers, storage and network hardware in your most critical applications
- Integrates secure rack space, reliable power distribution, expandable battery backup, remote management and passive cooling
- Prevents configuration errors, reduces installation time, decreases field costs and standardizes edge computing infrastructure
- Ships three business days from receipt of order, after design, assembly and testing by experts in a controlled environment

## Included Hardware

- A** **SR42UB** Premium Rack Enclosure (Standard Width/Depth)
- B** (2) **SUINT3000LCD2U** SmartOnline® UPS Systems with (2) **WEBCARDLX** Network Management Cards
- C** **E2MTHDI** Environmental Sensor (Temperature/Humidity/Digital Inputs)
- D** (2) **PDMV20HV** Metered PDUs with (2) **P036-006** Input Cords

Also includes (38) 1U blanking panels with toolless mounting. Assembled/tested unit includes reinforced shock pallet and loading ramps for stable shipment and reshipment with installed IT equipment. Kit version includes major components ready for final assembly on-site.

See Next Page for Customization Options



## Specifications

Model (Kit)	MDK2F38UPX00000
Model (Assembled/Tested)	MDA2F38UPX00000
Output Power Capacity	(2) 3 kVA/2.7 kW/11.7A Max (N+N Redundancy)
Rack Space	42U Total; 38U Usable
Weight Capacity	1360 kg Total; 1158 kg Usable
Maximum Device Depth	940 mm
Site Power Requirements	(2) 230V, 13/16A, 50/60 Hz (2 Separate Circuits)
Site Outlet Required	(2) BS 1363 (Standard) or CEE 7/7 "Schuko" (Optional)
UPS Type	On-Line with Pure Sine Wave Output and Zero Transfer Time
Runtime (50%/100% Load)	13.5/5 min. (Expandable)
High-Availability Features	N+N Redundancy; On-Line (VFI) Operation; Auto Bypass; Battery Backup; Hot-Swappable Batteries
Usable Outlets (UPS + PDU)	(80) C13, (14) C19
Dimensions (Assembled)	1994 x 600 x 1092 mm
Weight (Assembled)	202 kg
Warranty*	2-Year Limited Warranty (Extendable)

\*Any component with a warranty longer than 2 years will be covered by the longer warranty.

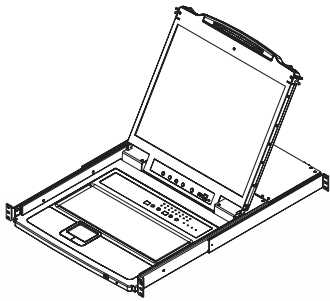


Powering and Connecting Your World

# Unlimited Micro Data Center Customization

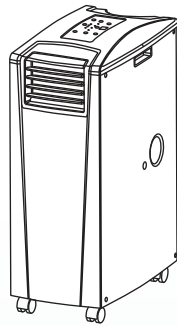
Tripp Lite's solutions team is standing by to help you tailor your EdgeReady micro data center to match the business and technology requirements of your edge deployment strategy. We ship custom solutions in as little as five business days, assembled and tested. We can help you customize your EdgeReady micro data center in several ways:

- Quick and easy customization via add-on accessories for the stock configurations
- Upgrades to included components of stock configurations with ready-to-ship alternatives
- Customization of individual components like racks, PDUs and cables (increases lead time)



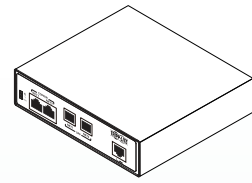
**B020-U16-19-IP**

1U Rack Console with 16-Port KVM Switch and Remote Access



**SRXCOOL12KB**

Portable Air Conditioning Unit (3.5 kW)



**B093-008-2E4U-M**

8-Port Console Server with Built-in Modem for Fail-Safe Access



**PDUMV20HVNETLX**

Vertical Switched PDU with Remote Current Monitoring, Alerts and Outlet Control

## Optional Accessories, Sold Separately (Visit [tripplite.com](http://tripplite.com) to see the full selection.)

Switched PDUs	(2) <b>PDUMV20HVNETLX</b> with (40) C13, (8) C19; 0U (Replace standard PDUs.)
Battery Packs for Extended Runtime (50%/100% Load)	40/16 min. with <b>BP72V15-2U</b> (Limit 1); 47/19 min. with <b>BP72V18-2US</b> ; 72/30 min. with <b>BP72V28RT-3U</b>
Cooling	<b>SRXCOOL12KB</b> (3.5 kW; Portable; BS 1363) or <b>SRXCOOL12K</b> (3.5 kW; Portable; CEE 7/7 "Schuko")
KVM Switch	<b>B022-U16-IP</b> ; <b>B020-U16-19-IP</b> (With LCD Console)
Console Server	<b>B093-008-2E4U-M</b>
Door Monitoring Kit	<b>SRSWITCH</b> (Monitors front/rear doors.)
Airflow Management	<b>SR1UBRUSH</b>
Cable Managers	40+ Horizontal, Vertical and External Cable Management Options at <a href="http://tripplite.com">tripplite.com</a>
Power Cords	French/German UPS Input Cord(s) with CEE 7/7 "Schuko" Plug ( <b>P050-008</b> ); Match Others to IT Equipment; 250+ Power Cord Options at <a href="http://tripplite.com">tripplite.com</a>
Network Cables	Match to IT Equipment; 1000+ Copper and Fiber Network Cable Options at <a href="http://tripplite.com">tripplite.com</a>
Patch Panels	60+ Copper and Fiber Patch Panel Options at <a href="http://tripplite.com">tripplite.com</a>
Additional Sensors	<b>E2MT</b> (Connect up to 3 sensors total per <b>WEBCARDLX</b> to monitor top/middle/bottom temperature.)

1111 W. 35th Street, Chicago, IL 60609 USA | +1.773.869.1212 | [tripplite.com](http://tripplite.com)



Powering and Connecting Your World