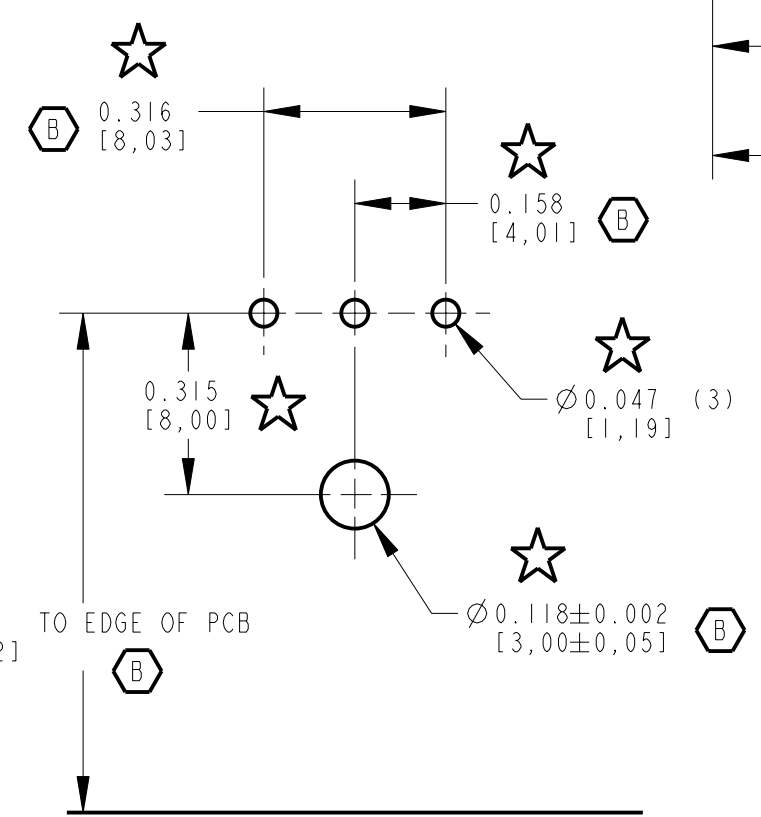
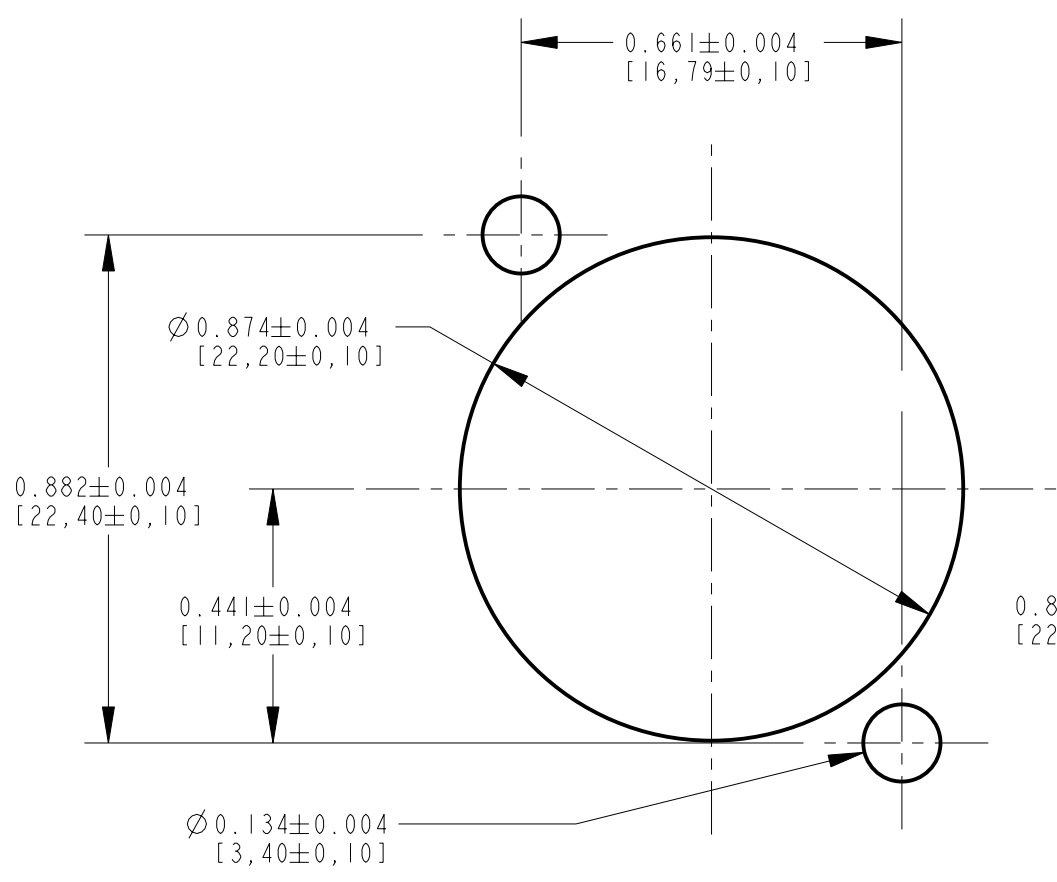
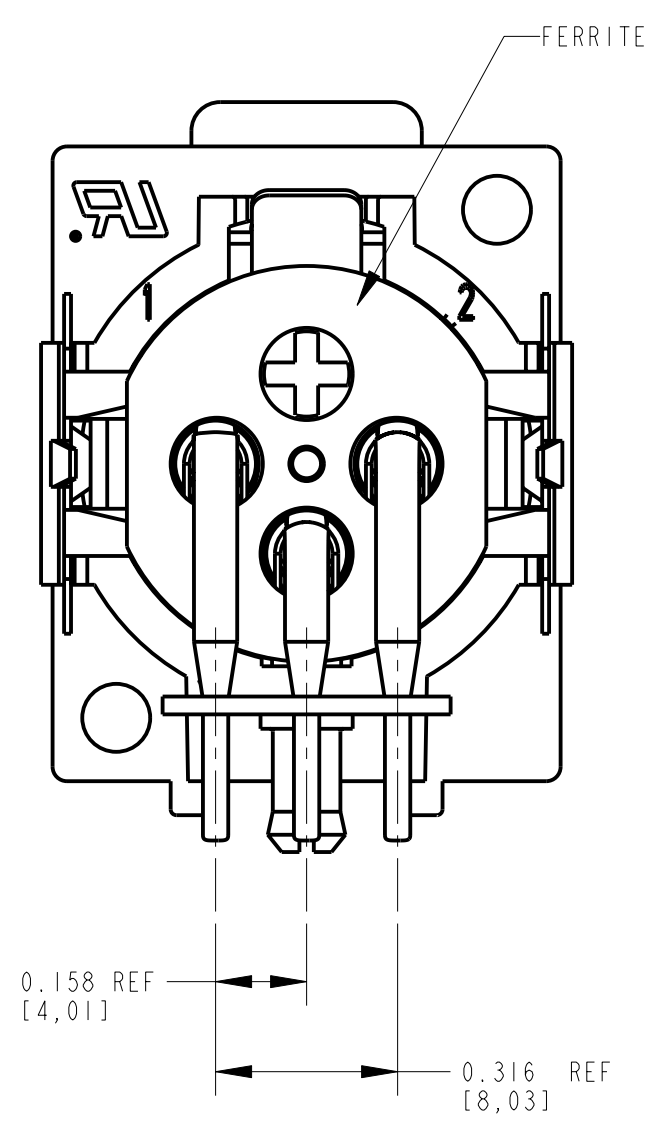
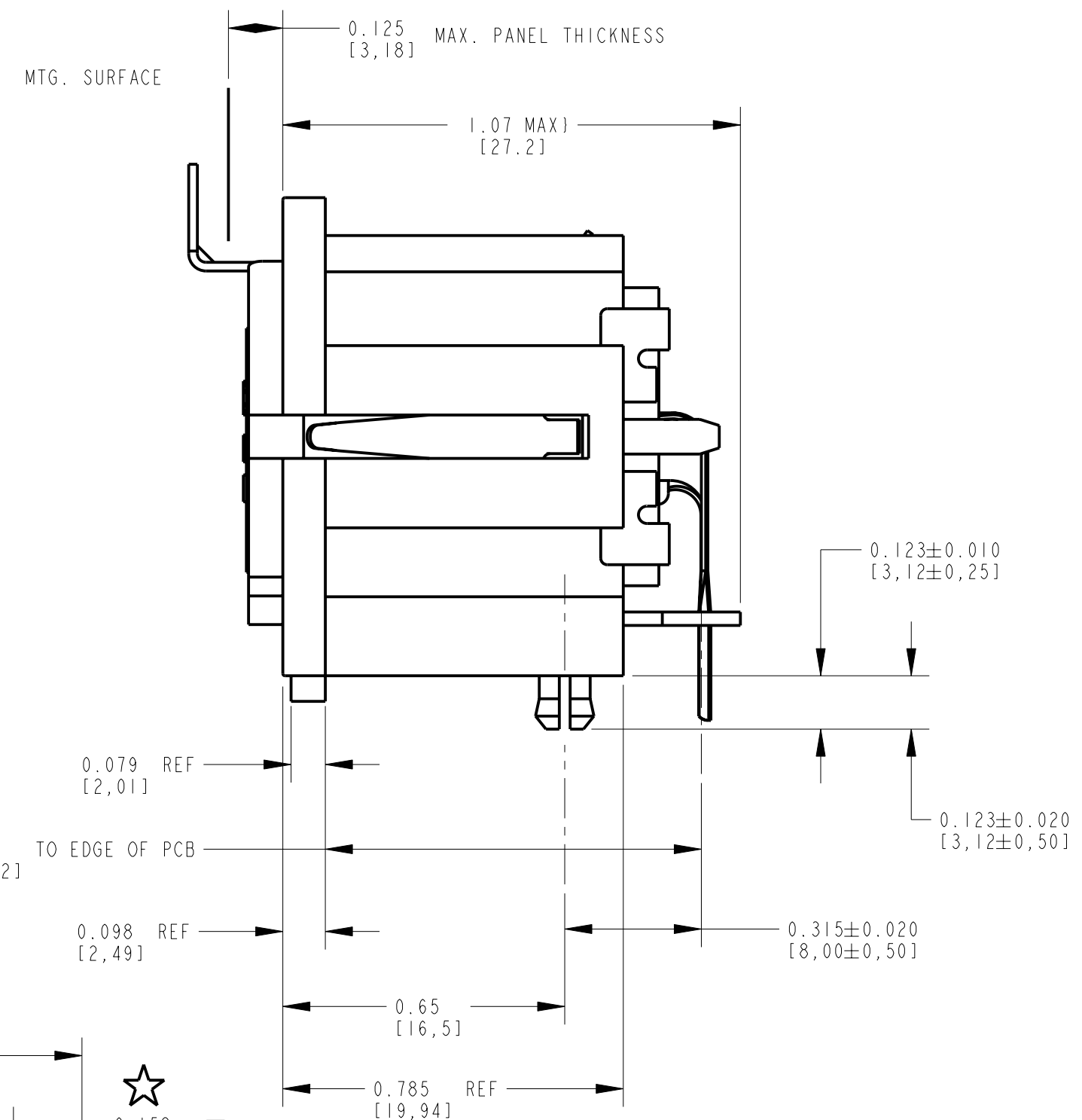
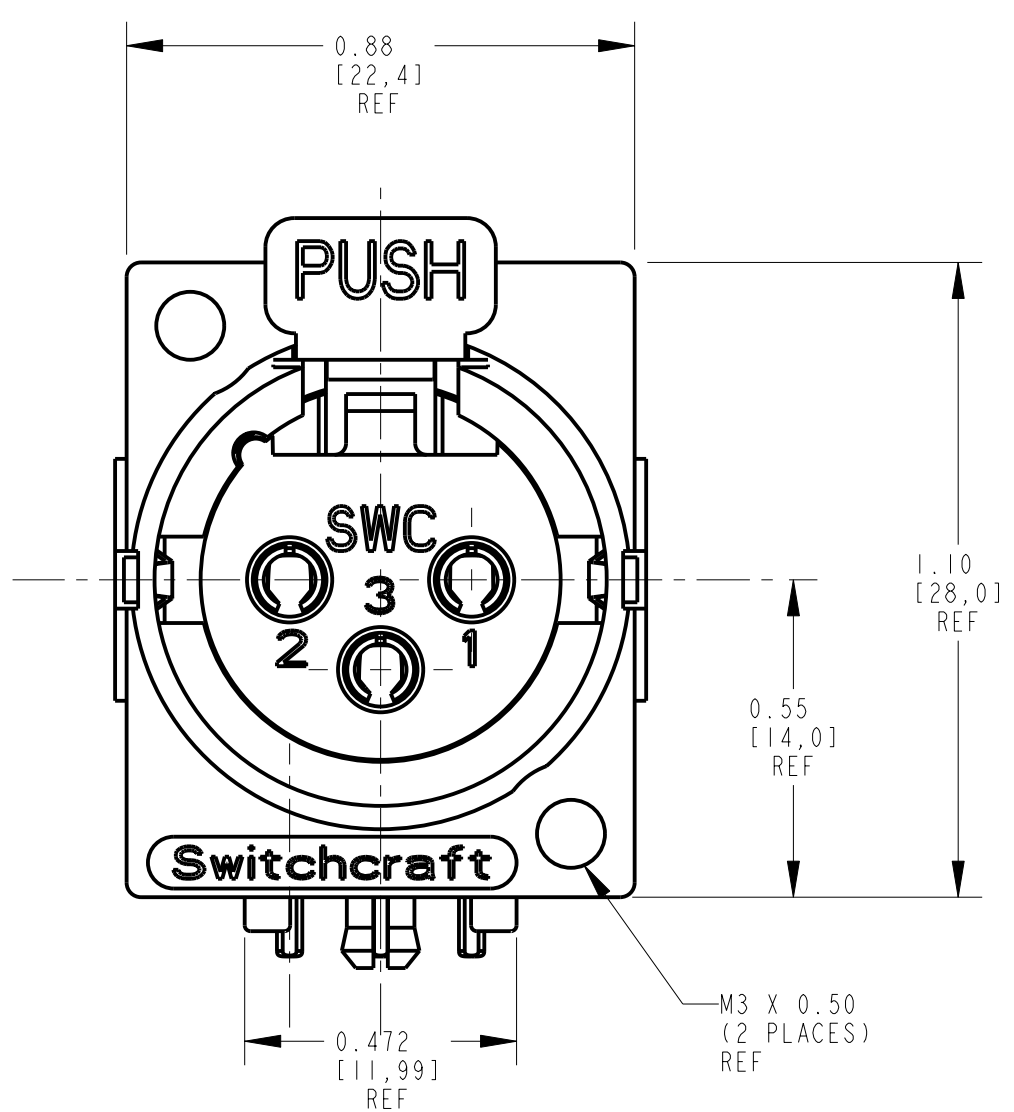


**MATERIALS:**

HOUSING - ZINC ALLOY, NICKEL PLATED  
 CONTACTS - COPPER ALLOY, SILVER PLATED  
 INSULATOR - THERMOPLASTIC, UL 94V-0 RATED  
 INSULATING SPACER - PHENOLIC  
 GROUND PIN - COPPER ALLOY, TIN PLATED  
 GROUND SPRING - HEAT TREATED STEEL OR COPPER ALLOY, TIN PLATED  
 RELEASE LEVER - C.R.S., NICKEL PLATED  
 LATCH SPRING - HEAT TREATED STEEL, NICKLE PLATED  
 FERRITE - NICKEL ZINC, K-100  
 RATED CURRENT - 3 AMP  
 SERVICE VOLTAGE - 133 VAC

RELEASE LEVER THROW 0.100 [2,5]



RECOMMENDED MOUNTING PANEL LAYOUT

RECOMMENDED P.C. BOARD LAYOUT  
 (0.062 [1.57] THICK P.C. BOARD REF.)

CUSTOMER DRAWING

☆ STAR SYMBOL DENOTES CRITICAL DIMENSION UNLESS OTHERWISE SPECIFIED 1. ALL DIMENSIONS IN INCHES - TWO PLACE DECIMALS ±0.01 - THREE PLACE DECIMALS ±0.005 - ANGLES ±1° - ALL DIA. CONCENTRIC WITHIN 0.005 T.I.R. 2. FEATURES ON THE SAME CENTERLINE MUST BE ALIGNED WITHIN ±0.002 3. REMOVE ALL BURRS DO NOT SCALE DRAWING				THIS DRAWING DESCRIBES A DESIGN CONSIDERED PROPRIETARY IN NATURE, DEVELOPED AND MANUFACTURED BY SWITCHCRAFT INC. AND IS RELEASED ON A CONFIDENTIAL BASIS FOR IDENTIFICATION PURPOSES ONLY.				
SIZE	WIDTH	MULT	LBS/M	TEMPER	MATERIAL SPEC No.			
FINISH SPEC No.			SCALE 3:1		MATERIAL SPEC No.			
FIRST USED ON			SCALE 3:1		MATERIAL SPEC No.			
DATE DRAWN	BY	CHKD	APVD	Switchcraft®				
21-Jan-02	KJB	TJK	KJB	SHEET 1 OF 1				
NAME FEMALE 3 PIN QG RA/PC W/FERRITE				PART No. F3FRAF		REV B		
REVISIONS								