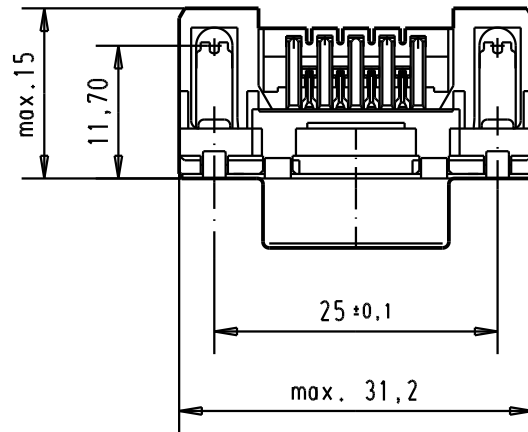
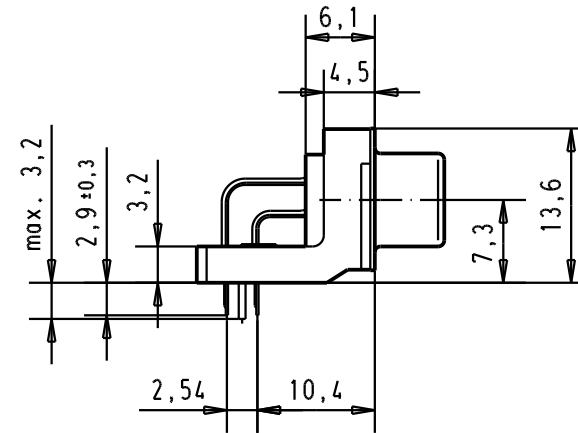
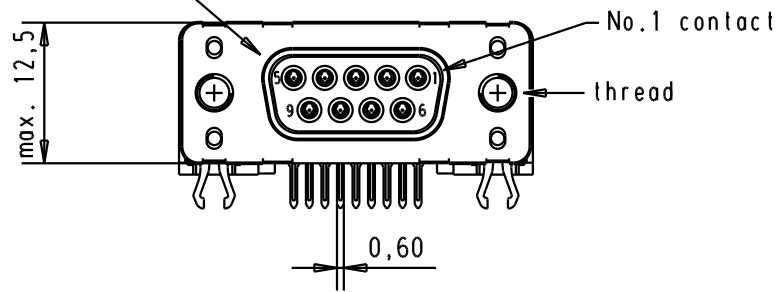
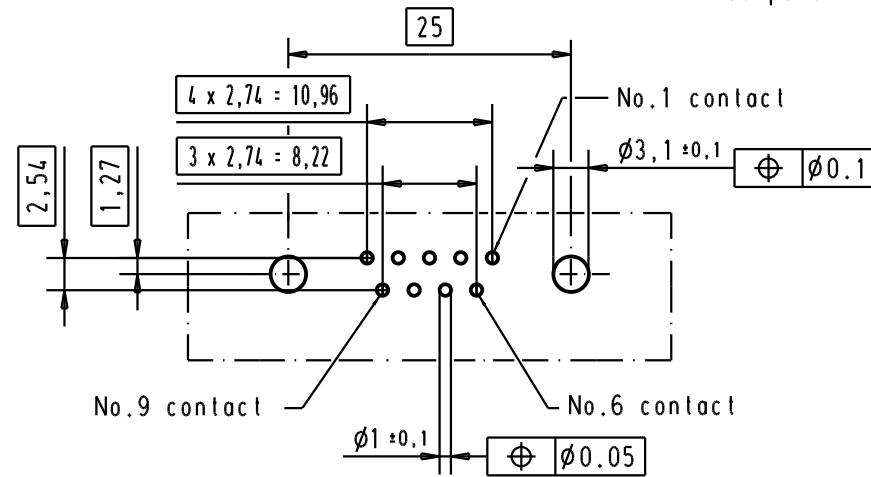


5 4 3 2 1

Mating face according to : MIL-C-24308 / DIN 41652 / CECC 75301-802





PCB layout hole component side



Connector retention and insertion forces on the PCB = 25 / 80 newtons

A

09 66 152 3611	M 3	1					Dat.	Name	 All Dim. in mm Orig. Size DIN A 4	D-Sub 09 poles standard angle female, solder pin with nut and grounding board lock.	Maßstab/ Scale  1.5:1
09 66 152 6611	M 3	2				Detail.	20/nov/00	jfb			
09 66 152 7611	M 3	3				Insp.					
09 66 152 3612	4-40 UNC	1	31892	05/05/04	JH	Stand.				TB 0966152x61x	Blatt/ Page 5 / 5
09 66 152 6612	4-40 UNC	2	31084	04/SEP/02	YT	HARTING EURL F-95972 Paris					
09 66 152 7612	4-40 UNC	3	27957	20/nov/00	jfb						
Part number	Nut thread	Performance level	Mod.	Dat.	Name				Sub.		