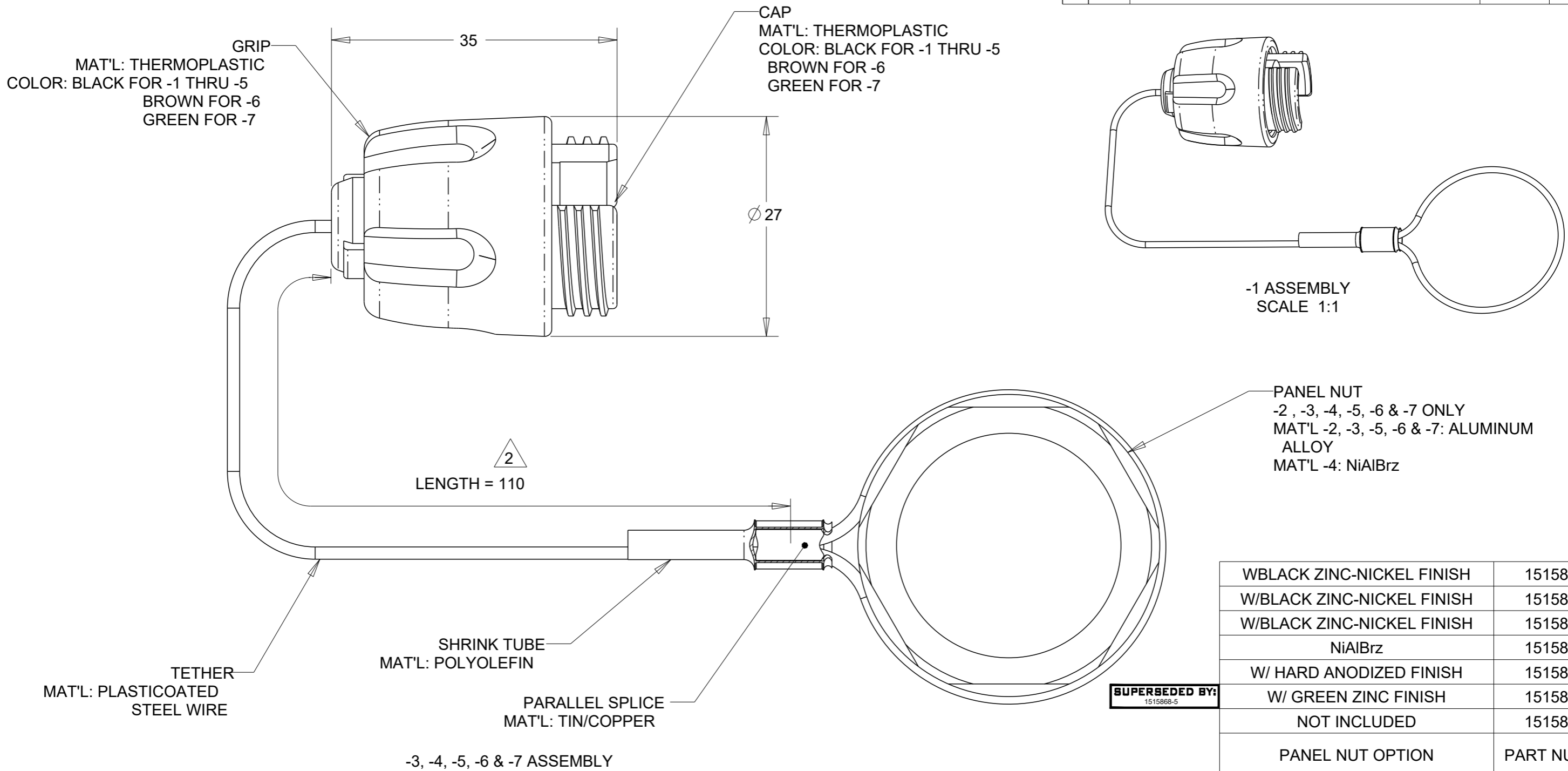


THIS DRAWING IS UNPUBLISHED. RELEASED FOR PUBLICATION 20  
 © COPYRIGHT20 BY - ALL RIGHTS RESERVED.


REVISIONS					
P	LTR	DESCRIPTION	DATE	DWN	APVD
	H	ECR-15-011044	13AUG2015	KG	DW
	J	ECR-19-008989	17JUN2019	TS	DW
	J1	ECR-20-007401	08JUL2020	TS	DW

1. DIMENSIONS ARE FOR REFERENCE ONLY.

△ 2 DIMENSIONED TO CENTER OF PARALLEL SPLICE.



W/BLACK ZINC-NICKEL FINISH	1515868-7
W/BLACK ZINC-NICKEL FINISH	1515868-6
W/BLACK ZINC-NICKEL FINISH	1515868-5
NiAlBrz	1515868-4
W/ HARD ANODIZED FINISH	1515868-3
W/ GREEN ZINC FINISH	1515868-2
NOT INCLUDED	1515868-1
PANEL NUT OPTION	PART NUMBER

THIS DRAWING IS A CONTROLLED DOCUMENT.		DWN 14OCT2002 K.GLATFELTER	 TE Connectivity												
DIMENSIONS: mm		CHK 15OCT2002 D. WERTMAN													
TOLERANCES UNLESS OTHERWISE SPECIFIED:		APVD 15OCT2002 D. WERTMAN	NAME PROTECTIVE CAP FOR BULKHEAD PRO BEAM JR.												
<table border="1"> <tr><td>0 PLC</td><td>±</td></tr> <tr><td>1 PLC</td><td>±</td></tr> <tr><td>2 PLC</td><td>±</td></tr> <tr><td>3 PLC</td><td>±</td></tr> <tr><td>4 PLC</td><td>±</td></tr> <tr><td>ANGLES</td><td>±</td></tr> </table>		0 PLC	±	1 PLC	±	2 PLC	±	3 PLC	±	4 PLC	±	ANGLES	±	PRODUCT SPEC -	SIZE A3
0 PLC	±														
1 PLC	±														
2 PLC	±														
3 PLC	±														
4 PLC	±														
ANGLES	±														
MATERIAL AS LISTED		APPLICATION SPEC -	CAGE CODE 00779												
FINISH		WEIGHT -	DRAWING NO 1515868												
-		Customer Drawing	RESTRICTED TO -												
		SCALE 1:1	SHEET 1 OF 1												
			REV J1												