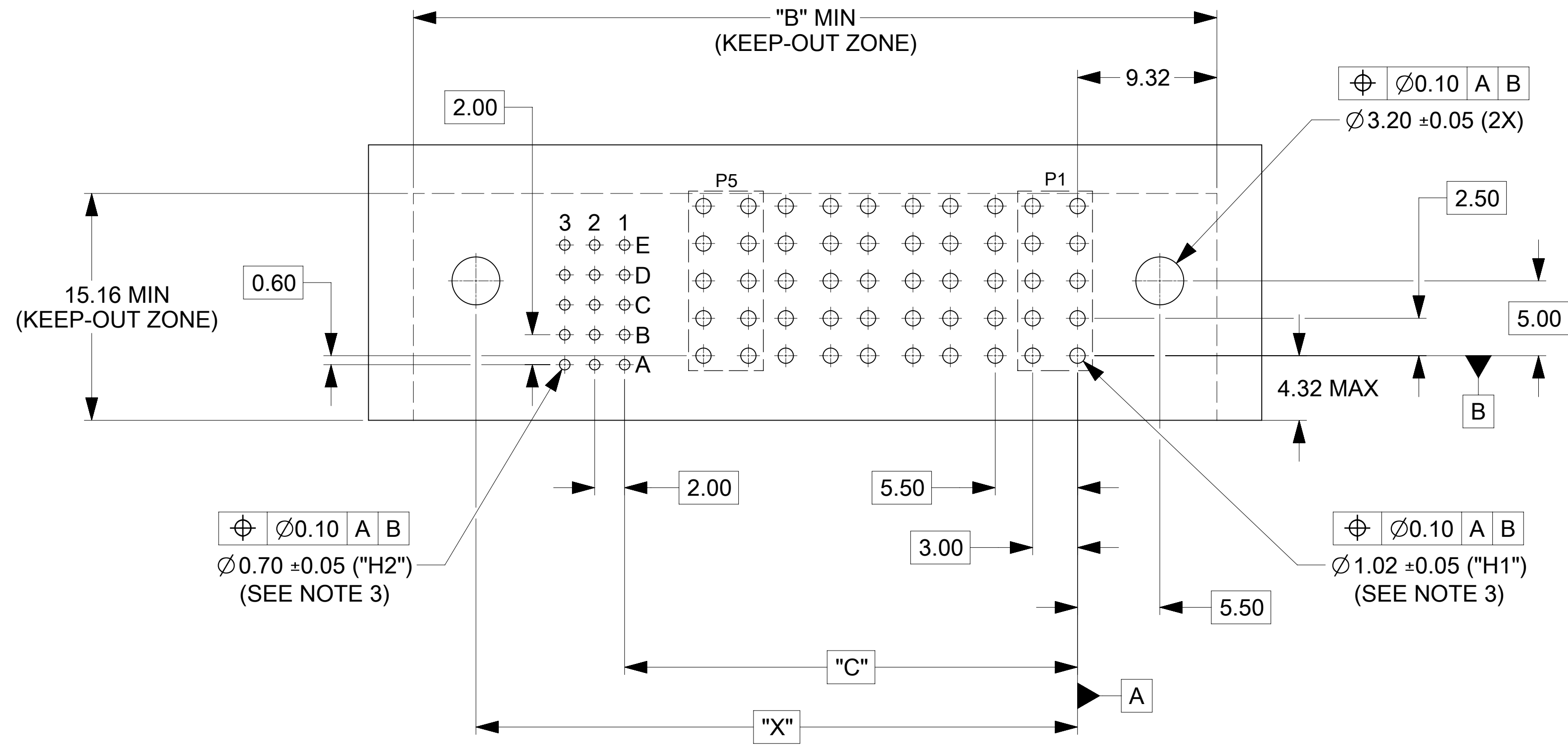


**NOTES:**

- MATERIAL:**
  - HOUSINGS: LCP UL94, V-0, COLOR: BLACK
  - TERMINALS: HIGH CONDUCTIVITY COPPER ALLOY
  - PLATING: 1.27 MICROMETER (50 MICROINCH) NICKEL OVERALL WITH 2.54 MICROMETER (100 MICROINCH) SELECTIVE TIN ON TAILS AND 0.762 MICROMETER (30 MICROINCH) SELECTIVE GOLD ON CONTACT AREA
- PACKAGING:** ASSEMBLIES TO BE TRAY PACKED PER PACKAGING SPEC: 464361001-PK
- PLATED THRU HOLE SIZE,** REFER TO PS-46436-100 FOR DETAILS
- PRODUCT SPEC:** PS-46436-100
- APPLICATION SPEC:** AS-46436-100
- PRODUCT TO MEET RoHS REQUIREMENTS**
- ASSEMBLY MATES TO MOLEX PLUG ASSEMBLY P/N 46437-\*\*\*\* (SEE TABLE IN SHEET 2).**
- TAIL DESIGN:** COMPLIANT TAILS
- POWER AND SIGNAL CONTACTS ARE LUBRICATED.**
- MOLEX LOGO TO BE LOCATED APPROXIMATELY AS SHOWN.**

THIS DRAWING CONTAINS INFORMATION THAT IS PROPRIETARY TO MOLEX ELECTRONIC TECHNOLOGIES, LLC AND SHOULD NOT BE USED WITHOUT WRITTEN PERMISSION									
DIMENSION UNITS	SCALE	CURRENT REV DESC: ADDED ISOMETRIC VIEWS							
mm	4:1								
GENERAL TOLERANCES (UNLESS SPECIFIED)									
ANGULAR TOL	± 0.5°								
4 PLACES	±	EC NO: 689821							
3 PLACES	±	DRWN: HARSHG	2021/12/13						
2 PLACES	± 0.13	CHK'D: GJEEVANSURES	2021/12/22						
1 PLACE	± 0.25	APPR: HTHYAGARAJ	2022/02/14						
0 PLACES	±	INITIAL REVISION:							
DRAFT WHERE APPLICABLE MUST REMAIN WITHIN DIMENSIONS		DRWN: KSUTAR	2021/08/11						
		APPR: HTHYAGARAJ	2021/10/21						
THIRD ANGLE PROJECTION		DRAWING	SERIES	MATERIAL NUMBER	CUSTOMER	SHEET NUMBER			
D-SIZE		46436	SEE TABLE	GENERAL MARKET	1 OF 4				
				G-*P-*S-G		R/A RECEP ASSY - TEN60 POWER FAMILY			
				PRODUCT CUSTOMER DRAWING					
				DOCUMENT NUMBER	DOC TYPE	DOC PART	REVISION		
				464369320	PSD	000	A1		

RECOMMENDED PCB LAYOUT AND KEEP-OUT ZONE FOR G-(1P TO 5P)-30S-G



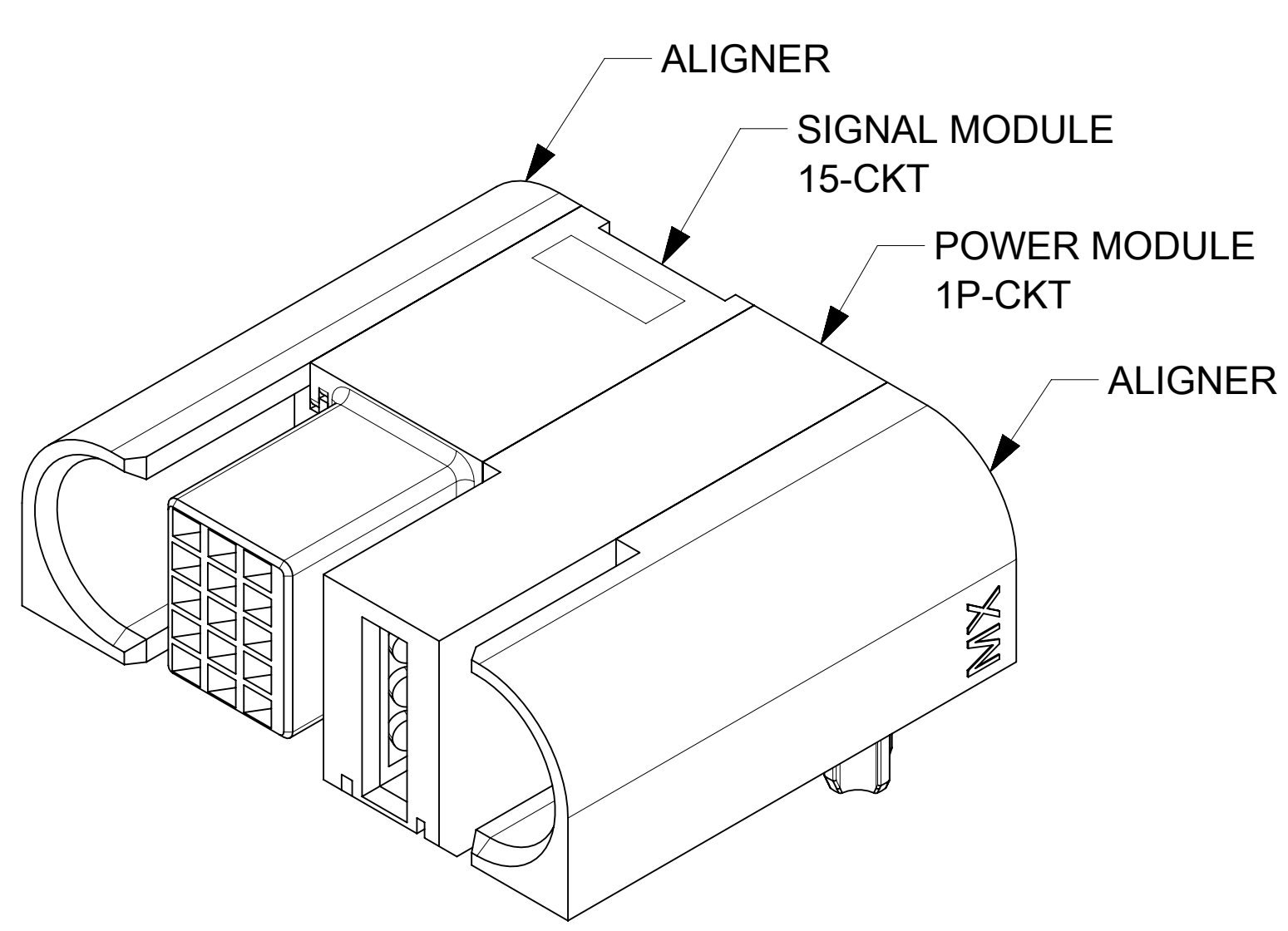
RECOMMENDED PCB LAYOUT AND KEEP-OUT ZONE FOR G-(1P TO 5P)-15S-G

REFER TO BELOW TABLE FOR DIMENSIONS.

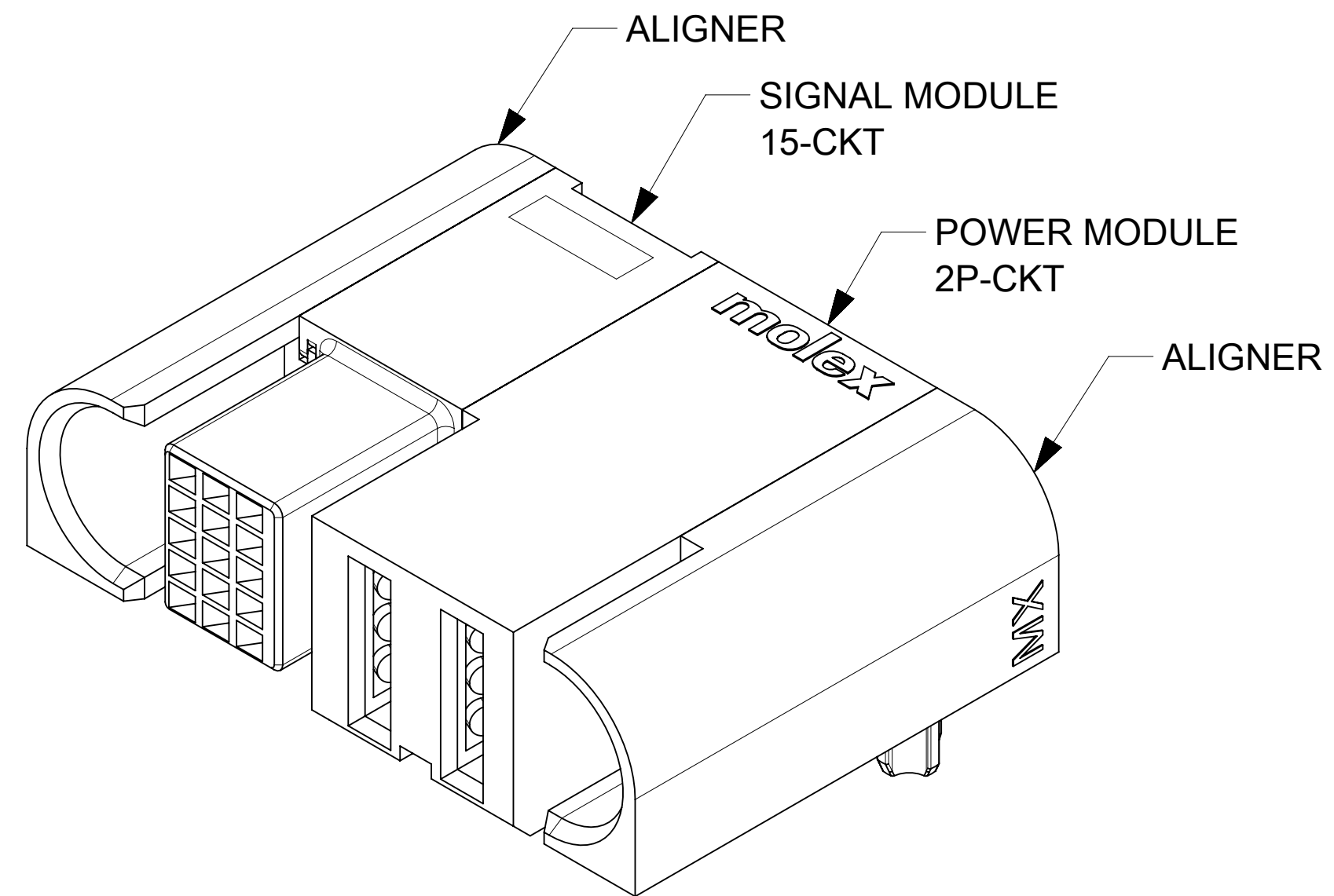
FG P/N	CONFIGURATION	POWER CKT SIZE	SIGNAL CKT SIZE	DIM "A" (IN MM)	DIM "B" (IN MM)	DIM "C" (IN MM)	DIM "X" (IN MM)	HOLES COUNT "H1"	HOLES COUNT "H2"	MATES WITH R/A PLUG ASSY P/N
464369311	G-1P-15S-G	1	15	30.71	31.71	8.28	18.21	10	15	464379311
464369312	G-2P-15S-G	2	15	36.21	37.21	13.78	23.71	20	15	464379312
464369313	G-3P-15S-G	3	15	41.71	42.71	19.28	29.21	30	15	464379313
464369314	G-4P-15S-G	4	15	47.21	48.21	24.78	34.71	40	15	464379314
464369315	G-5P-15S-G	5	15	52.71	53.71	30.28	40.21	50	15	464379315
464369316	G-1P-30S-G	1	30	36.71	37.71	8.28	24.21	10	30	464379316
464369317	G-2P-30S-G	2	30	42.21	43.21	13.78	29.71	20	30	464379317
464369318	G-3P-30S-G	3	30	47.71	48.71	19.28	35.21	30	30	464379318
464369319	G-4P-30S-G	4	30	53.21	54.21	24.78	40.71	40	30	464379319
464369320	G-5P-30S-G	5	30	58.71	59.71	30.28	46.21	50	30	464379320

THIS DRAWING CONTAINS INFORMATION THAT IS PROPRIETARY TO MOLEX ELECTRONIC TECHNOLOGIES, LLC AND SHOULD NOT BE USED WITHOUT WRITTEN PERMISSION

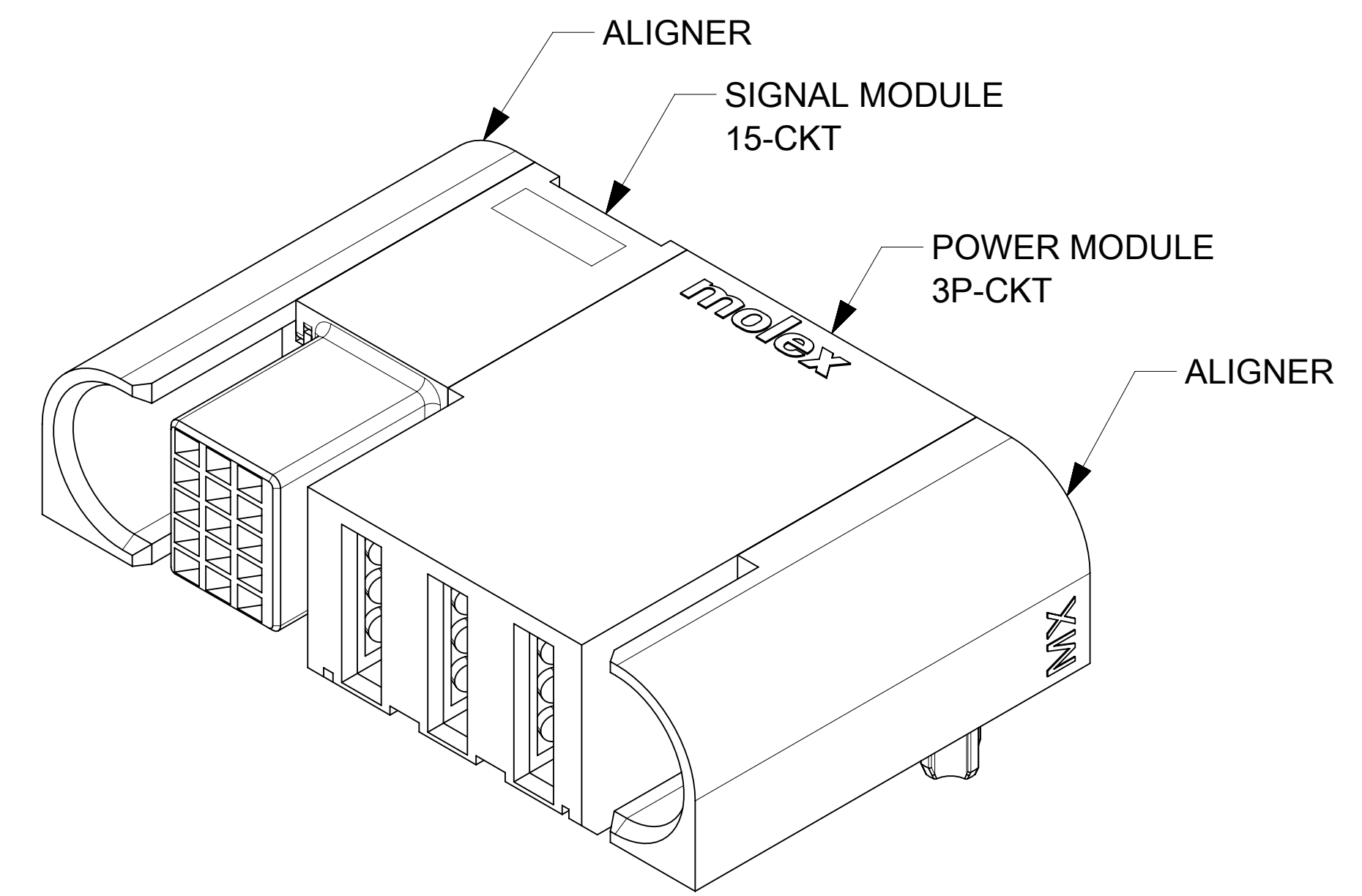
DIMENSION UNITS <b>mm</b>	SCALE <b>4:1</b>	CURRENT REV DESC: ADDED ISOMETRIC VIEWS				
GENERAL TOLERANCES (UNLESS SPECIFIED)						
ANGULAR TOL	± 0.5°	EC NO: 689821	<b>G-*P-*S-G</b> R/A RECEP ASSY - TEN60 POWER FAMILY			
4 PLACES	±	DRWN: HARSHG 2021/12/13				
3 PLACES	±	CHK'D: GJEEVANSURES 2021/12/22	<b>PRODUCT CUSTOMER DRAWING</b>			
2 PLACES	± 0.13	APPR: HTHYAGARAJ 2022/02/14				
1 PLACE	± 0.25	INITIAL REVISION:	DOCUMENT NUMBER <b>464369320</b>			
0 PLACES	±	DRWN: KSUTAR 2021/08/11 APPR: HTHYAGARAJ 2021/10/21				
DRAFT WHERE APPLICABLE MUST REMAIN WITHIN DIMENSIONS	THIRD ANGLE PROJECTION	DRAWING	SERIES	MATERIAL NUMBER	CUSTOMER	SHEET NUMBER
		<b>D-SIZE</b>	<b>46436</b>	SEE TABLE	GENERAL MARKET	<b>2 OF 4</b>



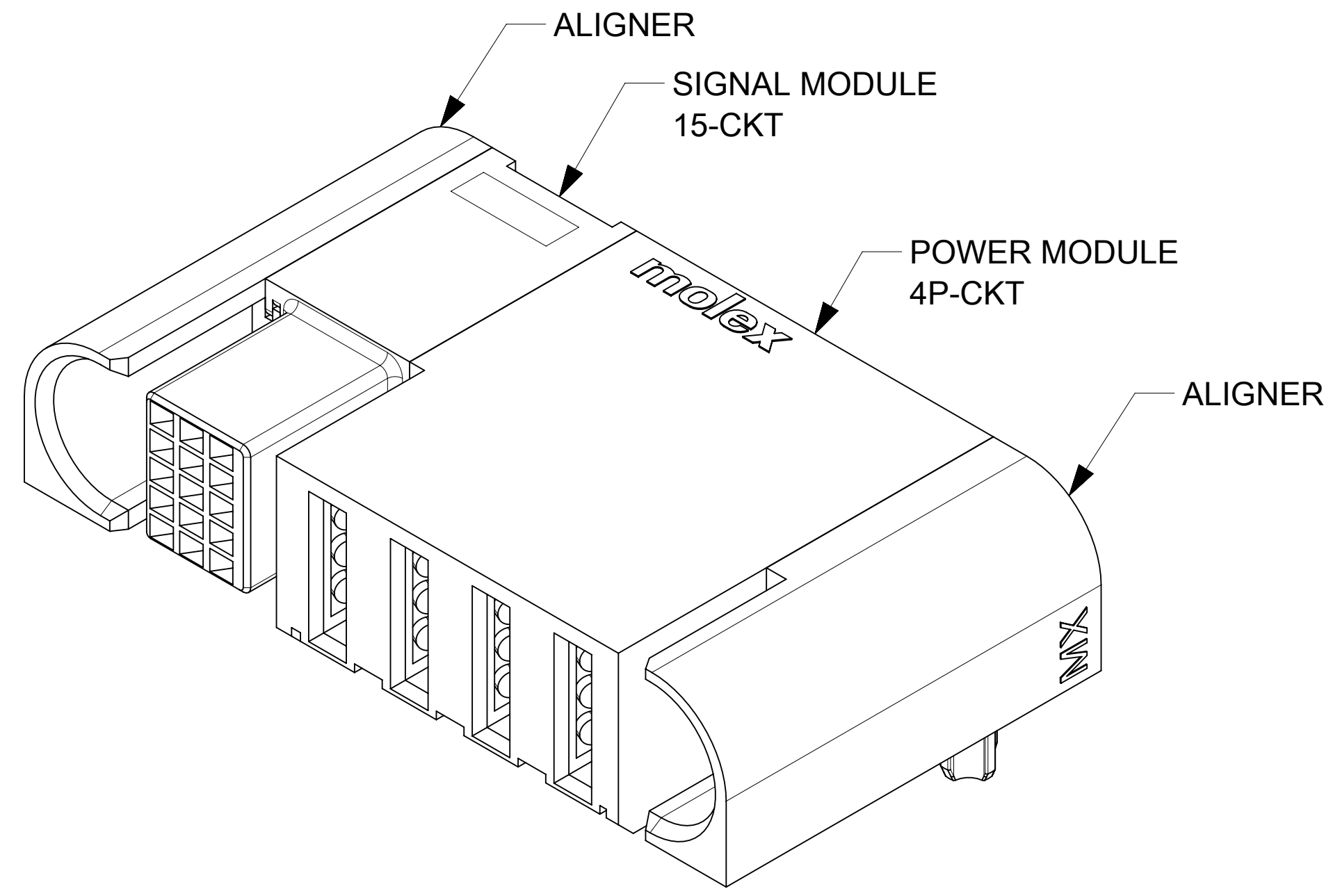
P/N : 46436-9311 (G-1P-15S-G)



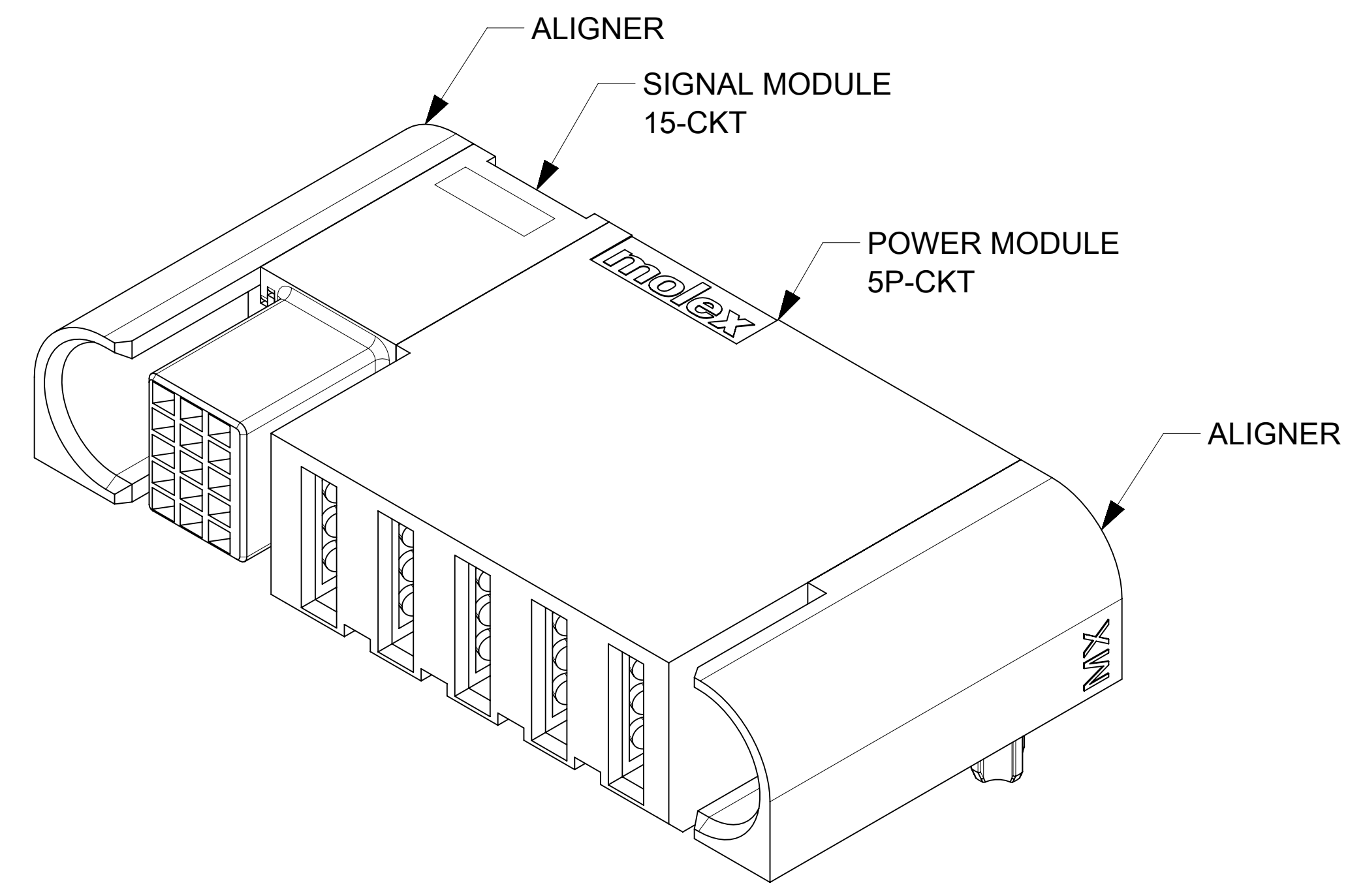
P/N : 46436-9312 (G-2P-15S-G)



P/N : 46436-9313 (G-3P-15S-G)



P/N : 46436-9314 (G-4P-15S-G)



P/N : 46436-9315 (G-5P-15S-G)

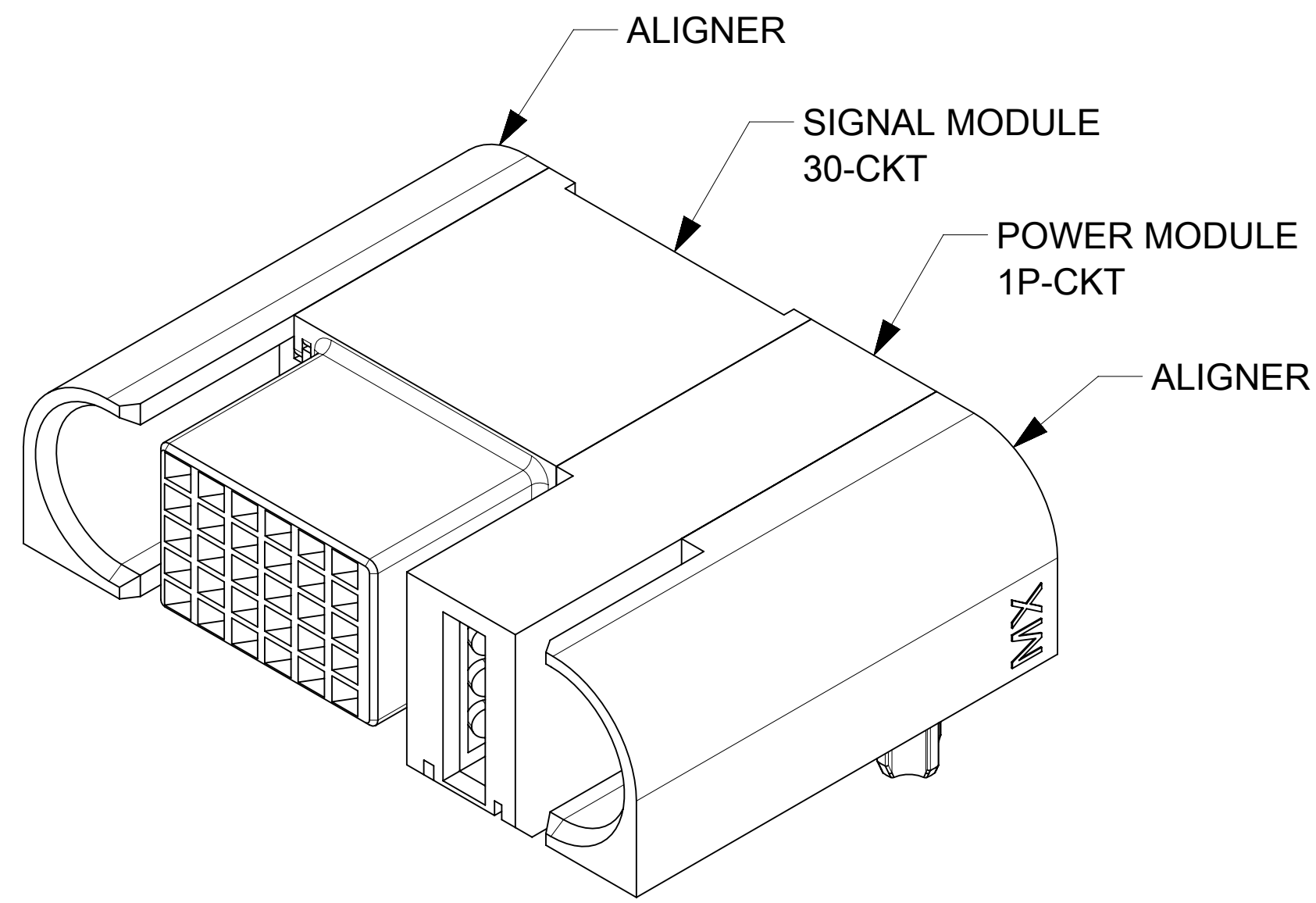
THIS DRAWING CONTAINS INFORMATION THAT IS PROPRIETARY TO MOLEX ELECTRONIC TECHNOLOGIES, LLC AND SHOULD NOT BE USED WITHOUT WRITTEN PERMISSION											
DIMENSION UNITS		SCALE		CURRENT REV DESC: ADDED ISOMETRIC VIEWS							
mm		4:1									
GENERAL TOLERANCES (UNLESS SPECIFIED)											
ANGULAR TOL ± 0.5°											
4 PLACES ±				EC NO: 689821							
3 PLACES ±				DRWN: HARSHG				2021/12/13			
2 PLACES ± 0.13				CHK'D: GJEEVANSURES				2021/12/22			
1 PLACE ± 0.25				APPR: HTHYAGARAJ				2022/02/14			
0 PLACES ±				INITIAL REVISION:							
				DRWN: KSUTAR				2021/08/11			
				APPR: HTHYAGARAJ				2021/10/21			
DRAFT WHERE APPLICABLE MUST REMAIN WITHIN DIMENSIONS				THIRD ANGLE PROJECTION		DRAWING		SERIES		MATERIAL NUMBER	
		D-SIZE		46436		SEE TABLE		CUSTOMER		SHEET NUMBER	
						GENERAL MARKET				3 OF 4	

**molex**

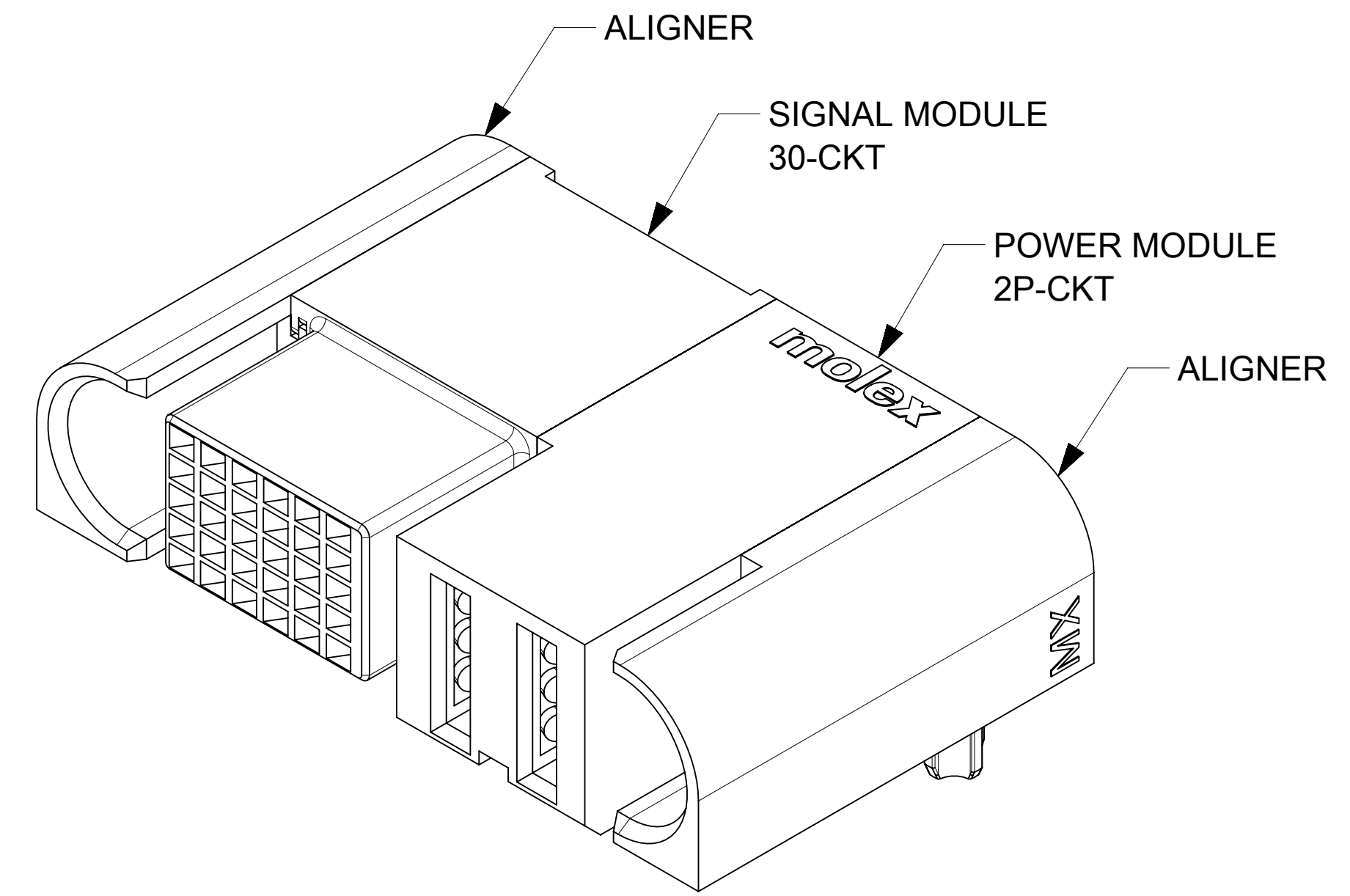
G-\*P-\*S-G  
R/A RECEP ASSY - TEN60 POWER FAMILY

PRODUCT CUSTOMER DRAWING

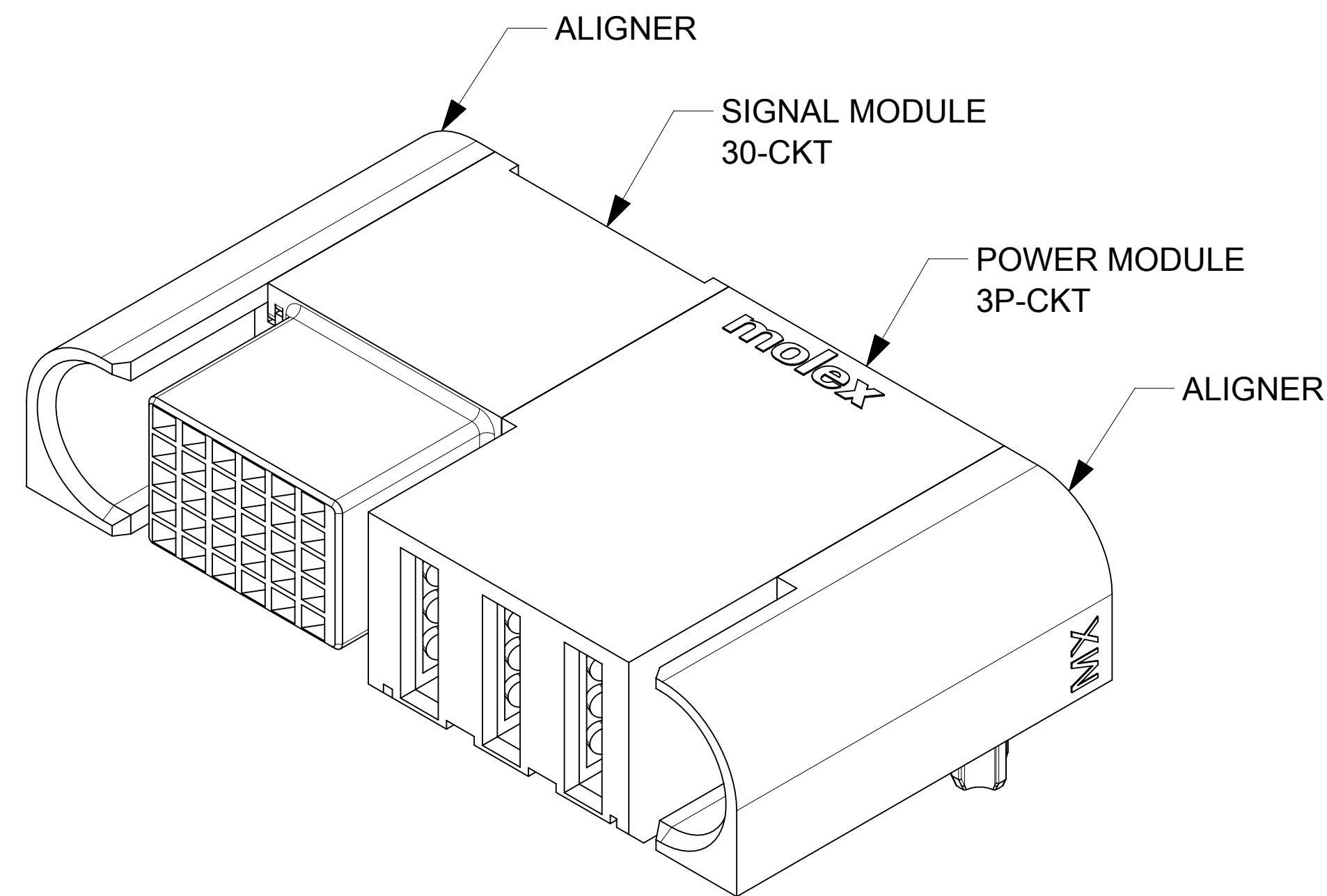
DOCUMENT NUMBER	DOC TYPE	DOC PART	REVISION
464369320	PSD	000	A1



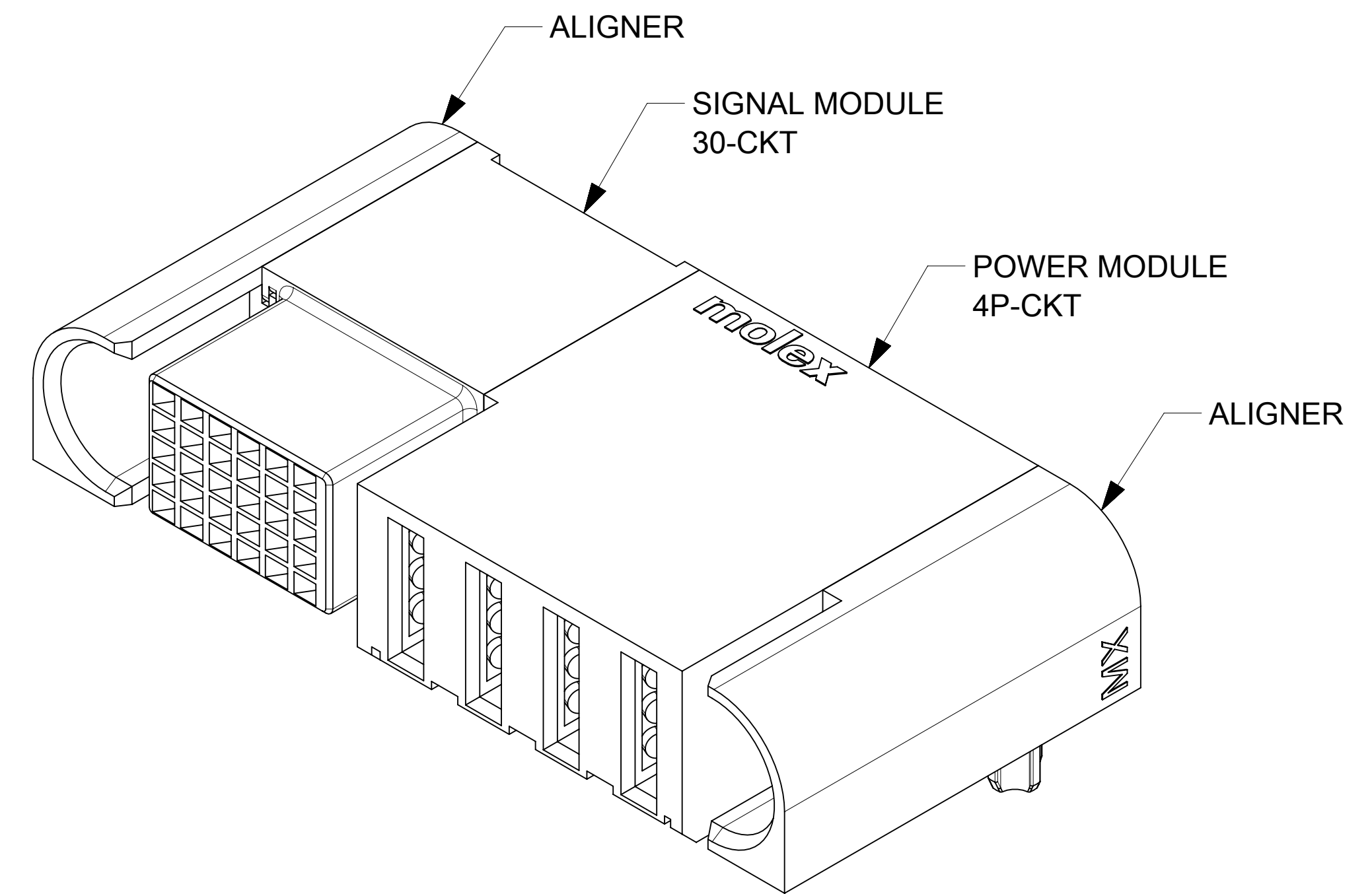
P/N : 46436-9316 (G-1P-30S-G)





P/N : 46436-9317 (G-2P-30S-G)



P/N : 46436-9318 (G-3P-30S-G)



P/N : 46436-9319 (G-4P-30S-G)

THIS DRAWING CONTAINS INFORMATION THAT IS PROPRIETARY TO MOLEX ELECTRONIC TECHNOLOGIES, LLC AND SHOULD NOT BE USED WITHOUT WRITTEN PERMISSION											
DIMENSION UNITS		SCALE		CURRENT REV DESC: ADDED ISOMETRIC VIEWS							
mm		4:1									
GENERAL TOLERANCES (UNLESS SPECIFIED)				EC NO: 689821		2021/12/13		<b>G-*P-*S-G</b> R/A RECEP ASSY - TEN60 POWER FAMILY			
ANGULAR TOL ± 0.5°				DRWN: HARSHG		2021/12/22					
4 PLACES ±				CHK'D: GJEEVANSURES		2022/02/14		PRODUCT CUSTOMER DRAWING DOCUMENT NUMBER: <b>464369320</b> DOC TYPE: PSD    DOC PART: 000    REVISION: <b>A1</b>			
3 PLACES ±				APPR: HTHYAGARAJ							
2 PLACES ± 0.13				INITIAL REVISION:				MATERIAL NUMBER: SEE TABLE    CUSTOMER: GENERAL MARKET    SHEET NUMBER: 4 OF 4			
1 PLACE ± 0.25				DRWN: KSUTAR		2021/08/11					
0 PLACES ±				APPR: HTHYAGARAJ		2021/10/21					
DRAFT WHERE APPLICABLE MUST REMAIN WITHIN DIMENSIONS				THIRD ANGLE PROJECTION		DRAWING		SERIES			
						D-SIZE		46436			