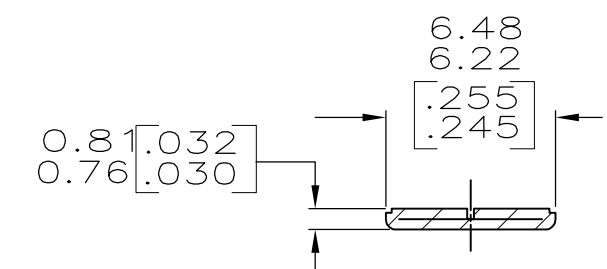
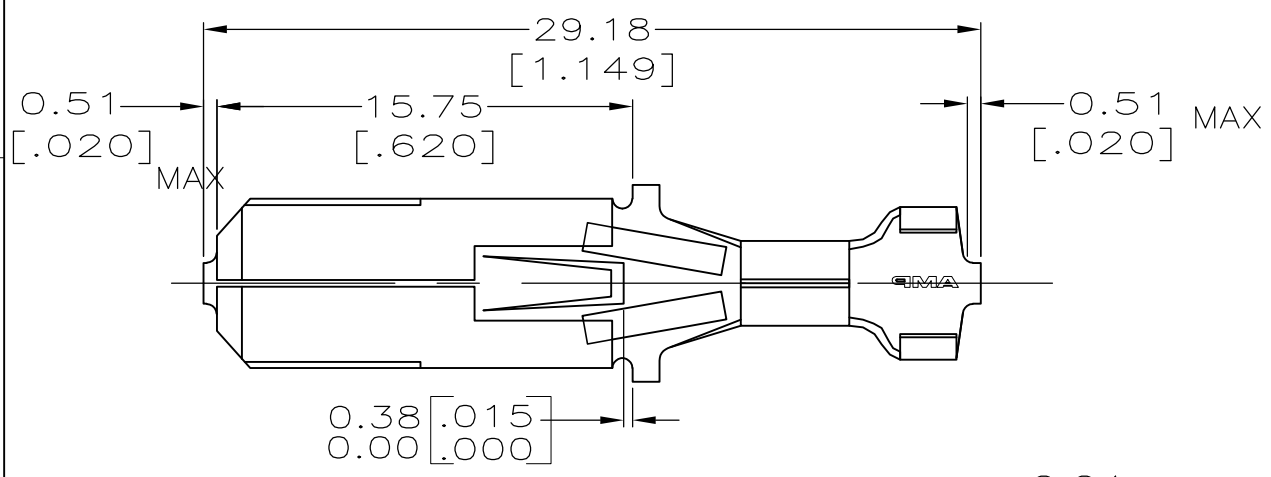
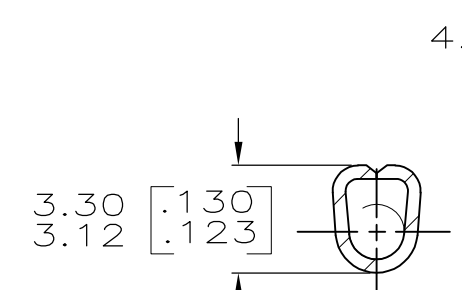
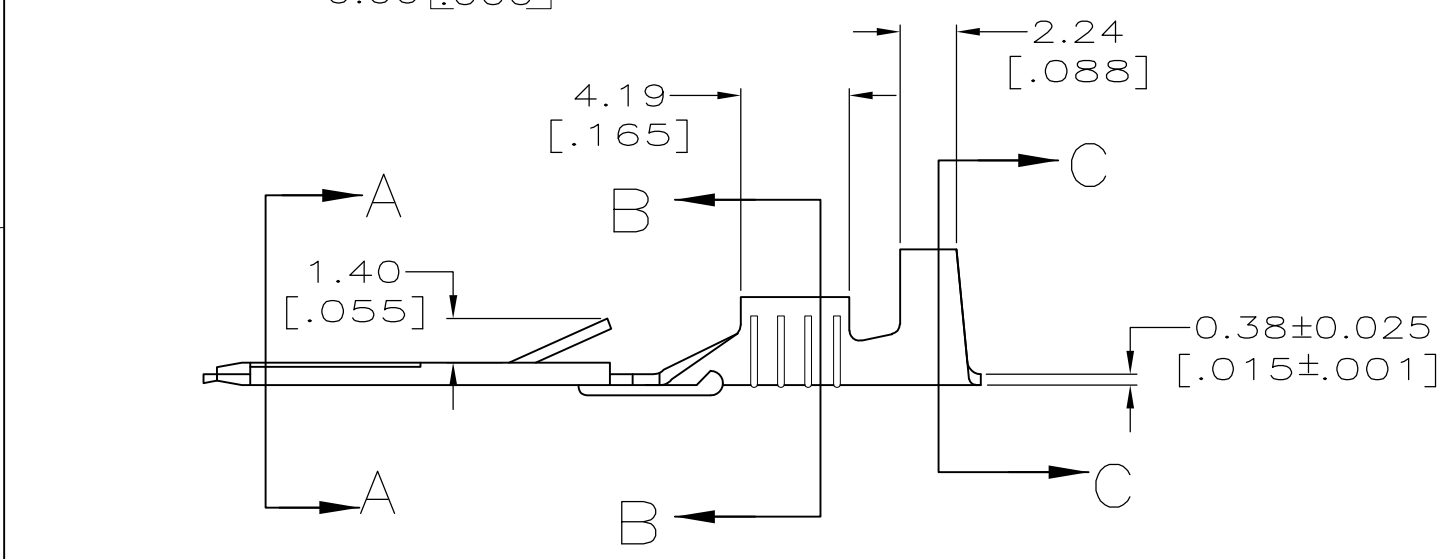


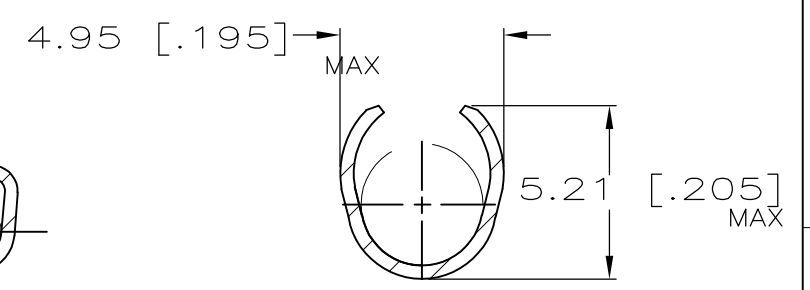
LOC	DIST	REVISIONS					
AF	50	P	LTR	DESCRIPTION	DATE	DWN	APVD
		P		REVISED PER ECO-11-004820	11MAR11	RK	HMR



SECTION A-A



SECTION B-B
SCALE 5:1
PRE-CRIMPED



SECTION C-C
SCALE 5:1
PRE-CRIMPED

- 1 SUPPLIED IN LOOSE PIECE.
- 2 FOREIGN PRODUCTION ONLY.
- 3 WIRE BARREL ACCEPTS A [#18-#14] AWG.
- 4 INSULATION RANGE IS 3.05-4.06 DIA [.120-.160] DIA.

2	0.003048 [.000120] MIN SILVER	H02 BRASS	42241-3
2	0.002032 [.000080] MIN TIN	H02 BRASS	42241-2
2	NONE	H02 BRASS	42241-1
	FINISH	MATERIAL	PART NO

THIS DRAWING IS A CONTROLLED DOCUMENT.		DWN	JR RUTH	4/11/95	STE TE Connectivity												
DIMENSIONS: MM [INCHES]		CHK	MS FEHER	4/11/95													
TOLERANCES UNLESS OTHERWISE SPECIFIED:		APVD	J GILLESPIE	4/13/95													
<table border="0"> <tr><td>0 PLC</td><td>± -</td></tr> <tr><td>1 PLC</td><td>± -</td></tr> <tr><td>2 PLC</td><td>± 0.38 [.015]</td></tr> <tr><td>3 PLC</td><td>± -</td></tr> <tr><td>4 PLC</td><td>± -</td></tr> <tr><td>ANGLES</td><td>± -</td></tr> </table>		0 PLC	± -	1 PLC		± -	2 PLC	± 0.38 [.015]	3 PLC	± -	4 PLC	± -	ANGLES	± -	PRODUCT SPEC	NAME	
0 PLC	± -																
1 PLC	± -																
2 PLC	± 0.38 [.015]																
3 PLC	± -																
4 PLC	± -																
ANGLES	± -																
MATERIAL	SEE TABLE	FINISH	SEE TABLE	WEIGHT	-	SIZE	A3	CAGE CODE	00779	DRAWING NO	C=42241	RESTRICTED TO	-				
CUSTOMER DRAWING		SCALE	4:1	SHEET	1 OF 1	REV	P										