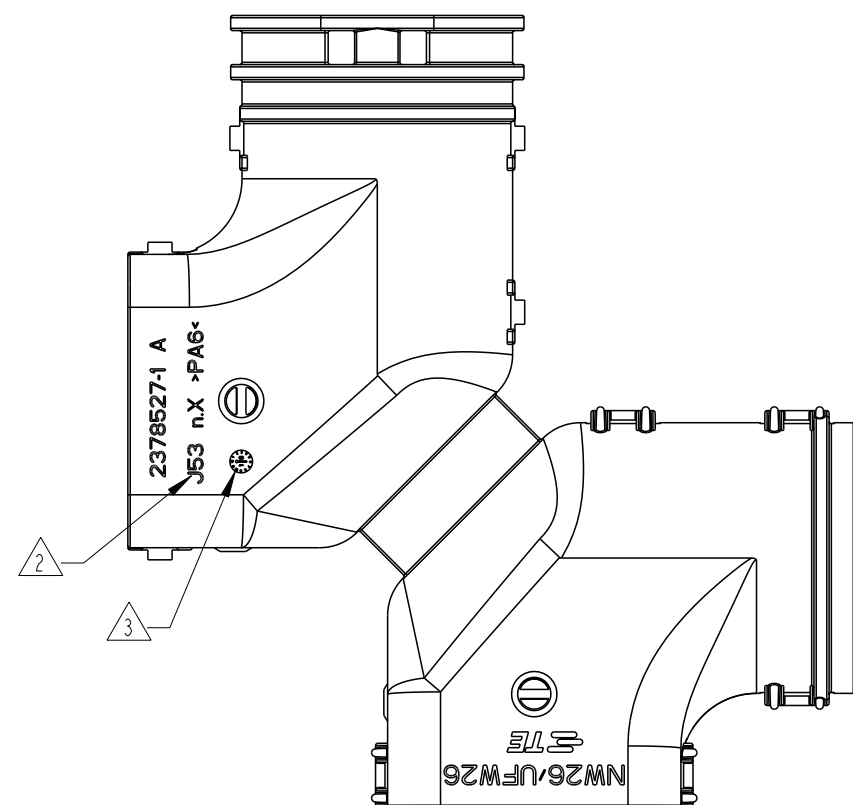
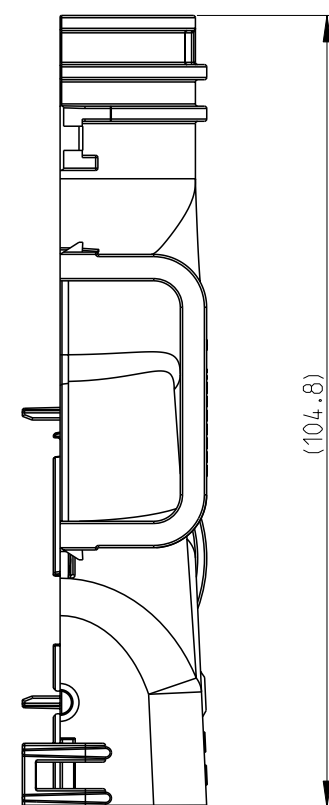
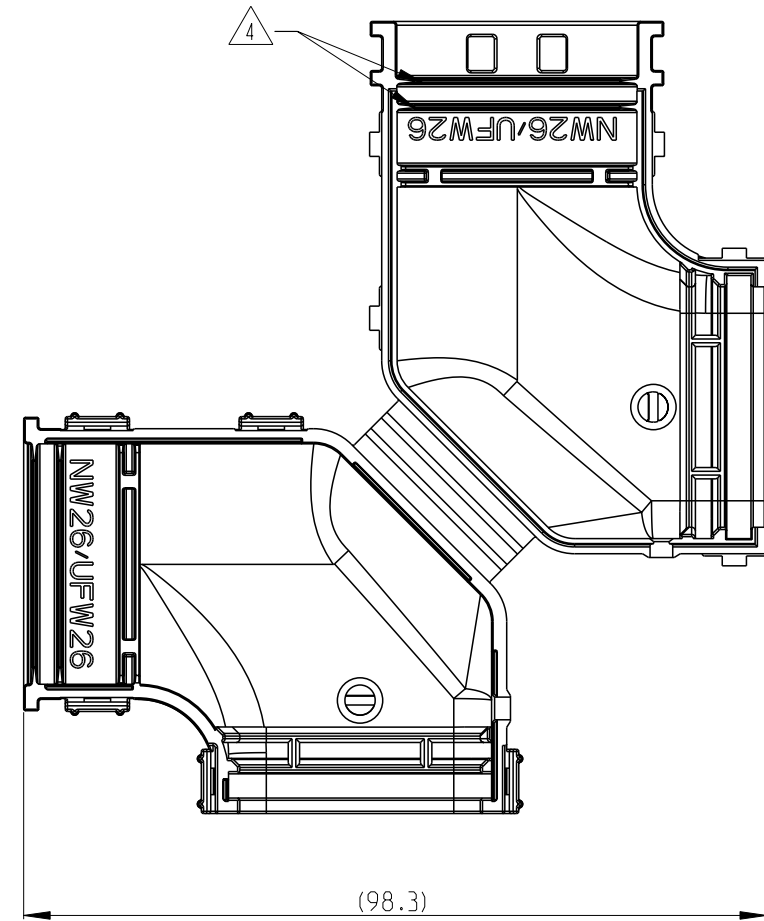
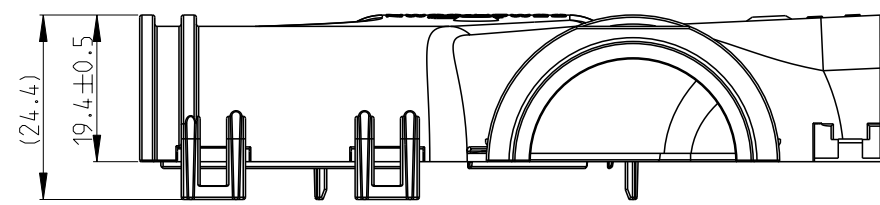


REVISIONS

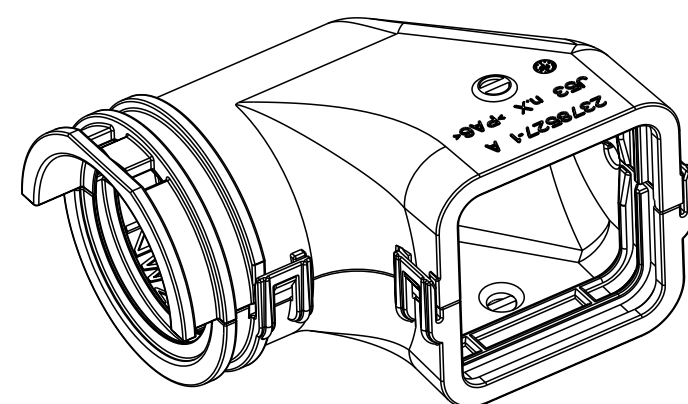
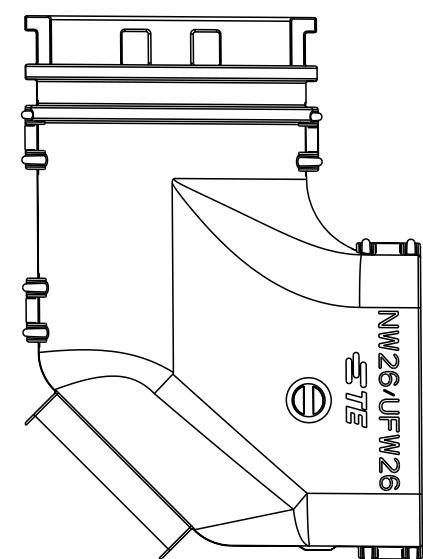
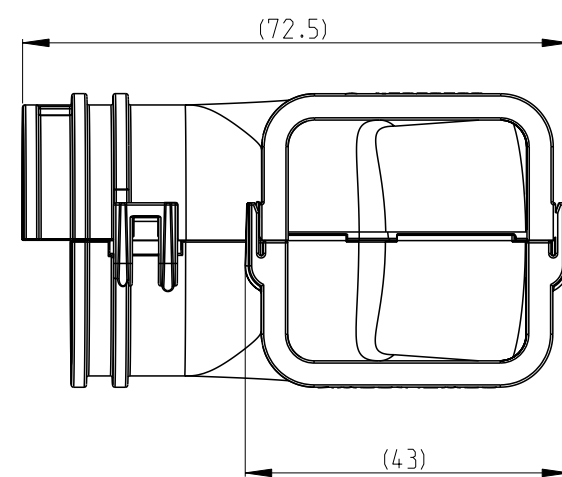
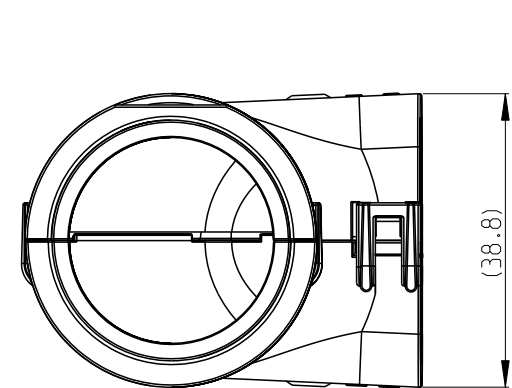
| P | LTR | DESCRIPTION | DATE | DWN | APVD |
|----|-----|-----------------|-----------|-----|------|
| A | | INITIAL RELEASE | 15SEP2020 | V.T | I.Y |
| A1 | | ECR-20-017884 | 11MAR2021 | V.T | I.Y |



NOTES:

- MATERIAL: PA6 COLOUR:BLACK.
- MANUFACTURING LOCATION.
- DATE CODE.
- FOR CORRUGATED TUBE: NW 26&UFW 26.
- USED ON PLUG P/N: -2366494- AND TAB P/N: 2366509-.

CLOSED (MOUNTED) CONDITION AS SHOWN



THIS DRAWING IS A CONTROLLED DOCUMENT.

| | | |
|------|----------|-----------|
| DWN | V. TANG | 14SEP2020 |
| CHK | E. JIANG | 15SEP2020 |
| APVD | I. YIN | 15SEP2020 |

2378527-1
PART NO.

STE TE Connectivity

| DIMENSIONS: | TOLERANCES UNLESS OTHERWISE SPECIFIED: |
|-------------|--|
| mm | 0 PLC ±0.30 |
| | 1 PLC ±0.25 |
| | 2 PLC ±0.15 |
| | 3 PLC ± |
| | 4 PLC ± |
| | ANGLES ±2° |
| | FINISH - |

| | |
|------------------|------------|
| PRODUCT SPEC | 108-160083 |
| APPLICATION SPEC | - |
| WEIGHT | - |

| | | | |
|------|---------------------------------------|------------|---------------|
| NAME | 90 DEGREE BACKSHELL NTS 48P SERIES | | |
| SIZE | CAGE CODE | DRAWING NO | RESTRICTED TO |
| A2 | 00779 | C-2378527 | |

MATERIAL: SEE NOTES

CUSTOMER DRAWING

| | | | | | |
|-------|-----|-------|--------|-----|----|
| SCALE | 1:1 | SHEET | 1 OF 1 | REV | A1 |
|-------|-----|-------|--------|-----|----|