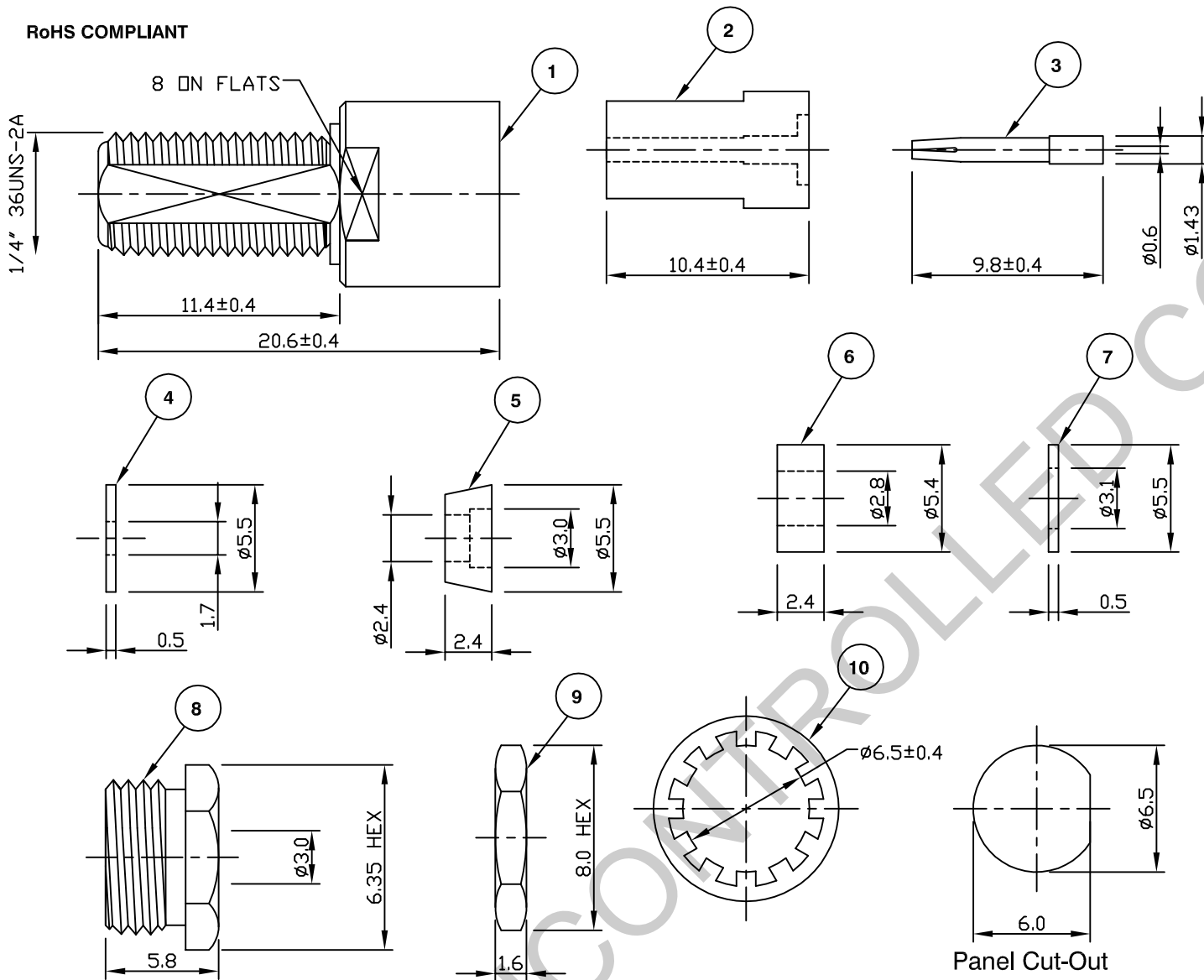


RoHS COMPLIANT



Electrical Characteristics

Nominal Impedance:	50 ohms
Frequency Range:	DC to 12.4 GHz
VSWR:	1.3:1 maximum
Insertion Loss:	0.2 dB at 6 GHz
Operating Voltage (rms):	500 V maximum at sea level
Dielectric Withstand Voltage (rms):	1000 V maximum at sea level
Contact Resistance:	2.0 milliohms maximum
Insulation Resistance:	5000 megohms minimum

Mechanical Characteristics

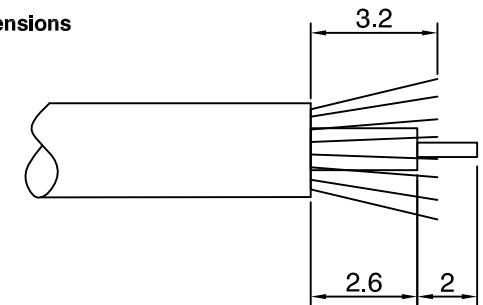
Mating Cycles:	500 cycles minimum
Interface Dimensions:	Conform to MIL-C-39012

Environmental Characteristics

Temperature Range:	-65 °C to +165 °C
--------------------	-------------------

PART	DESCRIPTION
1	Body Brass, nickel plated 2.54µm
2	Insulator PTFE
3	Contact Beryllium copper, gold plated 0.127µm
4	Washer Brass, nickel plated 2.54µm
5	Taper clamp Brass, nickel plated 2.54µm
6	Gasket Silicone (red)
7	Washer Brass, nickel plated 2.54µm
8	Clamp nut Brass, nickel plated 2.54µm
9	Nut Brass, nickel plated 2.54µm
10	Lock washer Brass, nickel plated 2.54µm

Strip Dimensions



For stripping and assembly instructions see Drawing Number: VAIS4201

First Issue	SN	1	23 Nov 01
DESCRIPTION OF REVISION	APPVD	ISS	DATE



Cinch Connectivity Solutions
7-13 Russel Way,
Widford Industrial Estate,
Chelmsford,
Essex, CM1 3AA, UK
Tel: +44 (0) 1245 359515
Fax: +44 (0) 1245 358938

SCALE: Not To Scale

DIMENSIONS: mm

TOLERANCES:
± 0.2mm unless
otherwise stated

DRAWN BY:	S Nash
CHECKED BY:	P Couzens
APPROVED BY:	A Tatner
DATE:	23 Nov 01

TITLE:
SMA Clamp Bulkhead Jack for
RG174

PART NUMBER:
VSS40-2071

PAGE: 1 of 1