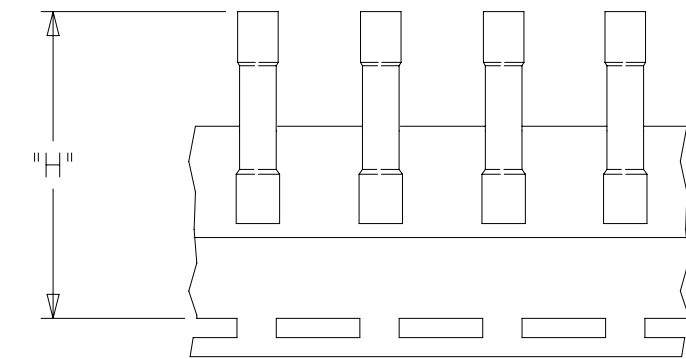
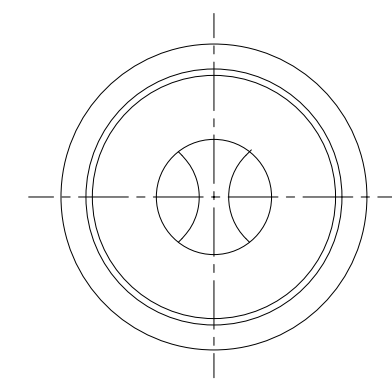
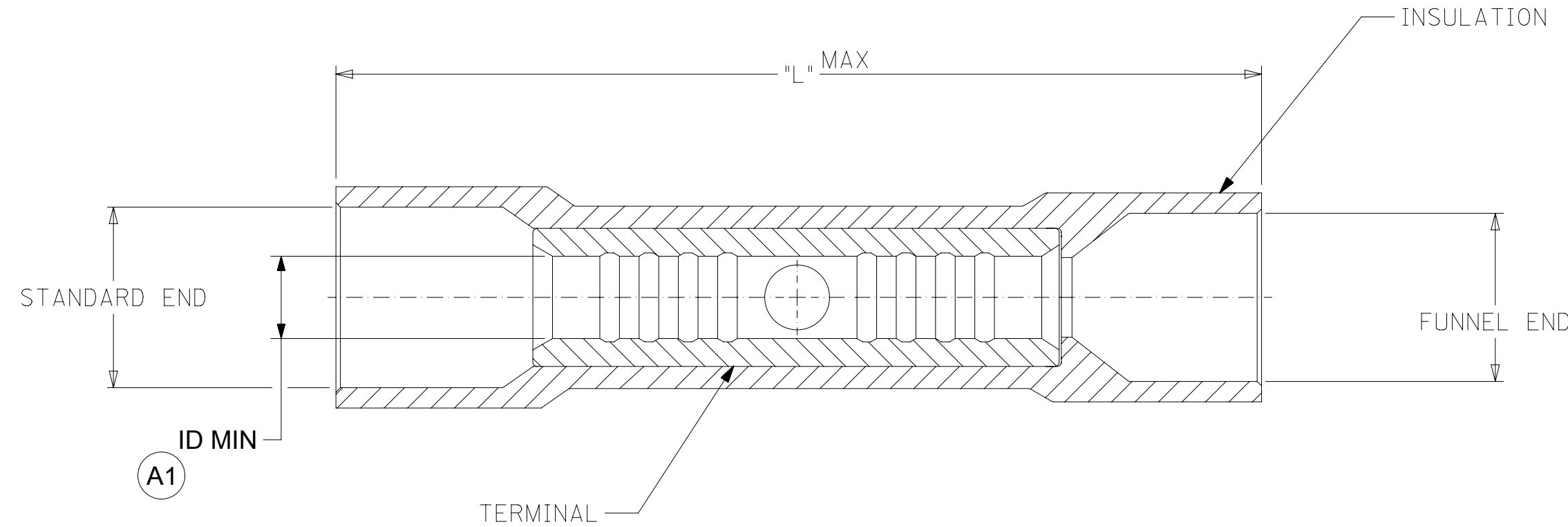


10	9	8	7	6	5	4	3	2	1	
										MATERIAL NUMBER
							STANDARD END	FUNNEL END		
192020063	A-945-DK	192020007	A-945-DKT	18-22	DK RED	.062/1.57	.161/4.09	.147/3.74	1.070/27.18	1.522/38.67
192020019	B-931-DK	192020021	B-931-DKT	14-16	DK BLUE	.081/2.57	.199/5.05	.185/4.70	1.070/27.18	1.524/38.71
192020039	C-946-DK	---- (A1)	----	10-12	DK YELLOW	.131/3.33	.276/7.01	.261/6.63	1.150/29.21	1.561/39.65



PARTS ON TAPE



- NOTES:
 1. MATERIAL: COPPER.
 2. PLATING: ELECTRON-TIN.
 3. INSULATION: 6/6 NYLON

THIS DRAWING CONTAINS INFORMATION THAT IS PROPRIETARY TO MOLEX ELECTRONIC TECHNOLOGIES, LLC AND SHOULD NOT BE USED WITHOUT WRITTEN PERMISSION									
FUNCTIONAL SYMBOLS	DIMENSION UNITS	SCALE	CURRENT REV DESC: MIGRATE TO NX & REMOVE OBSO TAPE P/N: 192020041 (C-946-DKT)						
	INCH/MM	4:1	molex FUNNEL ENTRY NYLAKRIMP BUTT CONNECTOR PRODUCT CUSTOMER DRAWING						
GENERAL TOLERANCES (UNLESS SPECIFIED)		MM							
DIVISIONAL SYMBOLS	4 PLACES	±		±		EC NO: 642893			
	3 PLACES	±		±	0.005	DRWN: DMYRICK 2020/08/05			
	2 PLACES	±	0.13	±	0.01	CHK'D: JMACNEIL 2020/08/05			
	1 PLACE	±	0.25	±		APPR: JMACNEIL 2020/08/05			
	0 PLACES	±		±		INITIAL REVISION:			
ANGULAR TOL		±	°			DRWN: BENDERLE 2004/04/27		2004/04/27	
DRAFT WHERE APPLICABLE MUST REMAIN WITHIN DIMENSIONS		THIRD ANGLE PROJECTION		DRAWING	SERIES	MATERIAL NUMBER	CUSTOMER	SHEET NUMBER	
				B-SIZE	19202	SD-19202-002	GENERAL MARKET	1 OF 1	

DOCUMENT STATUS	P1	RELEASE DATE	2020/08/05	18:58:16
-----------------	----	--------------	------------	----------