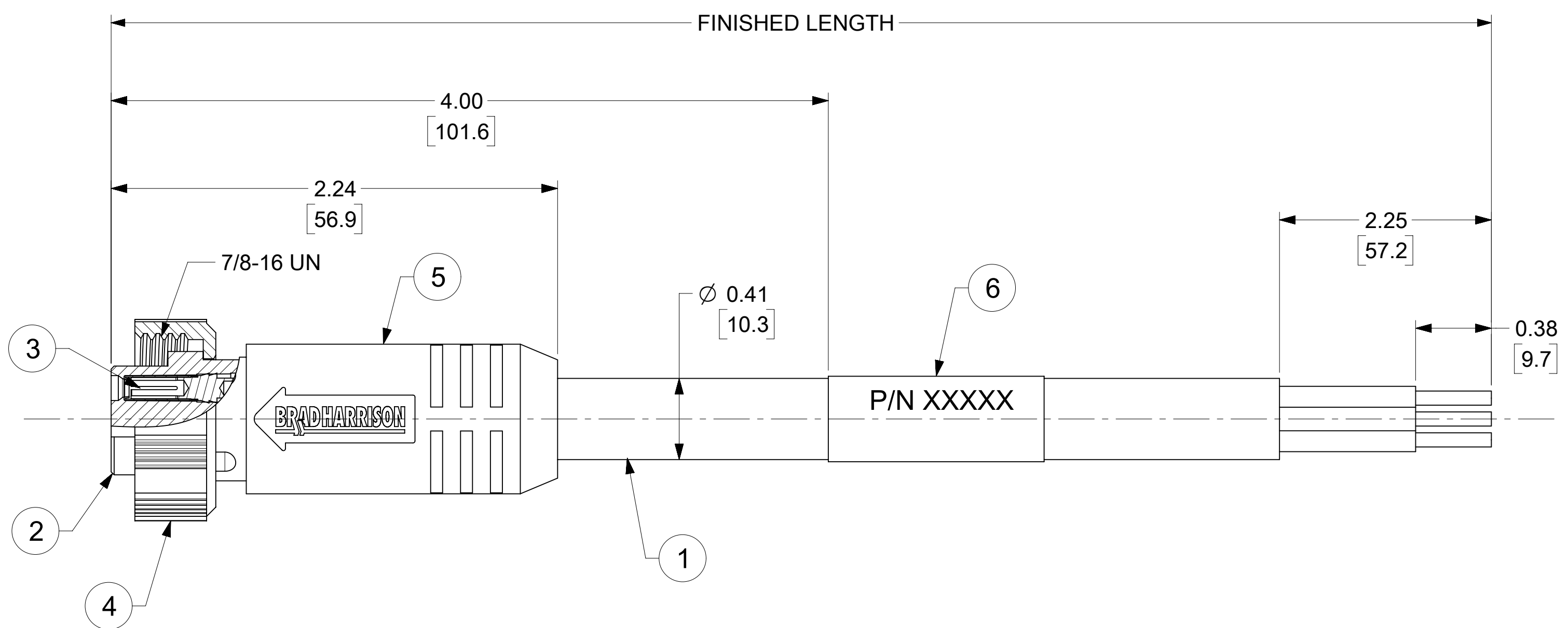
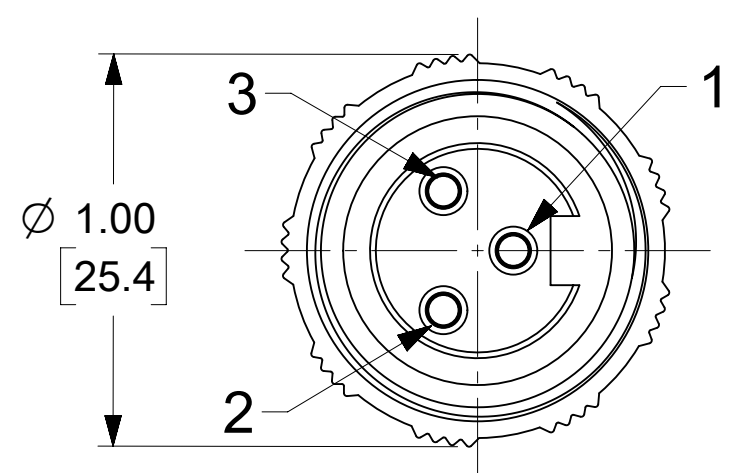
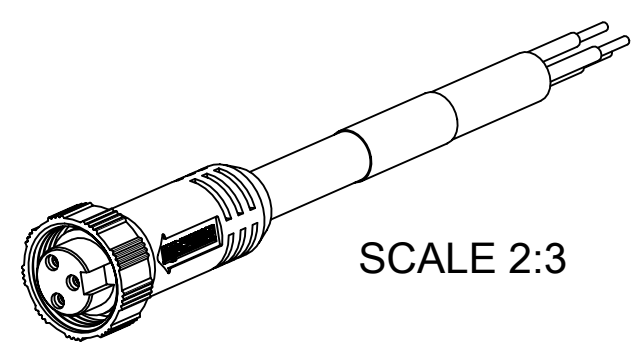


MATERIAL NO.	ENGINEERING NO.	FINISHED LENGTH
1300060219	103000A01F0302	3 FT. (0.91 M)
1300060256	103000A01F4002	40 FT. (12.19 M)
1300062250	103000A01F8002	80 FT. (24.38 M)

CABLE LENGTH TOLERANCES

<.3M [1FT]: +19mm-0 [+.75in-0]
.3 - .9M [1 - 3FT]: +44.5mm-0 [+1.75in-0]
.9 - 1.8M [3 - 6FT]: +55.6mm-0 [+2.19in-0]
1.8 - 3.7M [6 - 12FT]: +88.9mm-0 [+3.50in-0]
3.7 - 7.3M [12 - 24FT]: +165.1mm-0 [+6.50in-0]
7.3-14.6M [24 - 48FT]: +317.5mm-0 [+12.50in-0]
14.6 - 30.5M [48-100FT]: +622.3mm-0 [+24.50in-0]
OVER 30M [100FT] +2% OF FINISHED LENGTH



- NOTES:**
- MATERIAL: AS NOTED
 - FINISH: AS NOTED
 - ELECTRICAL:
VOLTAGE: 500V PER IEC60664 (B)
600V PER UL2238
CURRENT: 13A
 - TEMP RATING: -20°C TO +105°C (B)
 - PROTECTION: IP67 (WHEN MATED)
 - CSA CERTIFIED FILE: LR6837 (B)
 - UL RECOGNIZED FILE: E152210
 - ASSEMBLY IS ROHS COMPLIANT
 - ALL DIMS ARE FOR REFERENCE UNLESS TOLERANCED OR NOTED OTHERWISE

WIRING DIAGRAM

1	GREEN/YELLOW
2	BLACK
3	WHITE

PART NUMBER MATRIX (B)

103000A01F0602

FINISHED LENGTH
F001= .1 FT
F020= 2 FT
F200= 20 FT

ITEM	DESCRIPTION	MATERIAL	FINISH
6	WRAP LABEL	VINYL	BLACK/YELLOW
5	OVERMOLD	TPE	YELLOW
4	COUPLING NUT	NYLON	GRAY
3	SOCKET CONTACT	Cu ALLOY	GOLD OVER NICKEL
2	FEMALE INSERT	TPE	YELLOW
1	#16-3 YELLOW STOOV/ST	PVC JACKET	YELLOW

FUNCTIONAL SYMBOLS		THIS DRAWING CONTAINS INFORMATION THAT IS PROPRIETARY TO MOLEX ELECTRONIC TECHNOLOGIES, LLC AND SHOULD NOT BE USED WITHOUT WRITTEN PERMISSION		CURRENT REV DESC: UPDATED ITEM #2, 5 & DIA. ADDED CSA, UL, IEC VOLT & TEMP, TOL. CHART & PART NO. MATRIX. MODIFIED PN CHART	
$F_A = 0$	DIMENSION UNITS	SCALE			
$F_C = 0$	INCH/MM	2:1			
$F_P = 0$	GENERAL TOLERANCES (UNLESS SPECIFIED)				
DIVISIONAL SYMBOLS		MM	INCH		
		4 PLACES	±	±	
		3 PLACES	±	±	
		2 PLACES	±	± 0.01	
		1 PLACE	± 0.3	±	
		0 PLACES	±	±	
		ANGULAR TOL	± 2.0 °		
DRAFT WHERE APPLICABLE MUST REMAIN WITHIN DIMENSIONS		THIRD ANGLE PROJECTION	DRAWING	SERIES	
			C-SIZE	130006	
		EC NO: 673727		2021/05/21	
		DRWN: VHANDI		2021/08/25	
		CHK'D: RSTONE		2021/08/27	
		APPR: BWOODMAN			
		INITIAL REVISION:			
		DRWN: RSTONE		2012/11/28	
		APPR: JFMURPHY		2013/03/01	
DOCUMENT STATUS		DOC TYPE	DOC PART	REVISION	
P1	RELEASE DATE	PSD	001	B	
2021/08/27	14:24:14	SD-130006-047			
MATERIAL NUMBER		CUSTOMER		SHEET NUMBER	
SEE TABLE		GENERAL MARKET		1 OF 1	