

P-CO - Component connector

3036796

<https://www.phoenixcontact.com/us/products/3036796>

Please be informed that the data shown in this PDF document is generated from our online catalog. Please find the complete data in the user documentation. Our general terms of use for downloads are valid.



Component connector, for installing components that can be individually selected, nominal current: 250 V, nominal current: 6 A, connection method: Plug-in connection, pitch: 5.2 mm, length: 24.2 mm, width: 5.1 mm, height: 24.2 mm, number of positions: 1, color: gray, mounting type: Pluggable (slot)

Your advantages

- For assembly, the spring-cage connections are opened or closed inside the plug with just one turn of a standard screwdriver
- Can be used in all disconnect terminal blocks of the range ...-TG with 5.2 mm width or wider, from the PT, ST, QTC and UT series
- The P-CO patented component plug can accommodate components quickly and reliably using spring-cage contacts
- A coding recess ensures protection against polarity reversal

Commercial data

Item number	3036796
Packing unit	1 pc
Minimum order quantity	10 pc
Sales key	BE29
Product key	BE2Z3X
Catalog page	Page 416 (C-1-2019)
GTIN	4017918929145
Weight per piece (including packing)	3.65 g
Weight per piece (excluding packing)	3.65 g
Customs tariff number	85366990
Country of origin	PL

P-CO - Component connector

3036796

<https://www.phoenixcontact.com/us/products/3036796>

Technical data

Notes

General	Components with a wire diameter from 0.5 mm up to 0.8 mm can be used
---------	--

Product properties

Product type	Component plug terminal block
Number of positions	1
Pitch	5.2 mm
Potentials	1

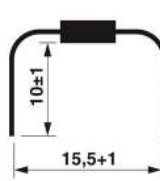
Insulation characteristics

Pollution degree	3
------------------	---

Connection data

Conductor cross section rigid	0.5 mm ² ... 0.8 mm ²
Conductor cross section flexible	0.5 mm ² ... 0.8 mm ²
Nominal current	6 A
Maximum load current	6 A (with 0.5 mm ² conductor cross section)
Nominal voltage	250 V
Nominal cross section	0.5 mm ²

Dimensions

Dimensional drawing	
Width	5.1 mm
Height	24.2 mm
Depth	33.2 mm
Length	24.2 mm
Pitch	5.2 mm

Material specifications

Color	gray
Flammability rating according to UL 94	V0
Insulating material group	I
Insulating material	PA
Static insulating material application in cold	-60 °C
Relative insulation material temperature index (Elec., UL 746 B)	130 °C
Fire protection for rail vehicles (DIN EN 45545-2) R22	HL 1 - HL 3

P-CO - Component connector



3036796

<https://www.phoenixcontact.com/us/products/3036796>

Fire protection for rail vehicles (DIN EN 45545-2) R23	HL 1 - HL 3
Fire protection for rail vehicles (DIN EN 45545-2) R24	HL 1 - HL 3
Fire protection for rail vehicles (DIN EN 45545-2) R26	HL 1 - HL 3
Surface flammability NFPA 130 (ASTM E 162)	passed
Specific optical density of smoke NFPA 130 (ASTM E 662)	passed
Smoke gas toxicity NFPA 130 (SMP 800C)	passed

Environmental and real-life conditions

Ambient conditions

Ambient temperature (operation)	-60 °C ... 105 °C (max. short-term operating temperature RTI Elec.)
Ambient temperature (storage/transport)	-25 °C ... 60 °C (for a short time, not exceeding 24 h, -60 °C to +70 °C)
Ambient temperature (assembly)	-5 °C ... 70 °C
Ambient temperature (actuation)	-5 °C ... 70 °C
Permissible humidity (storage/transport)	30 % ... 70 %

Mounting

Mounting type	Pluggable (slot)
---------------	------------------

P-CO - Component connector

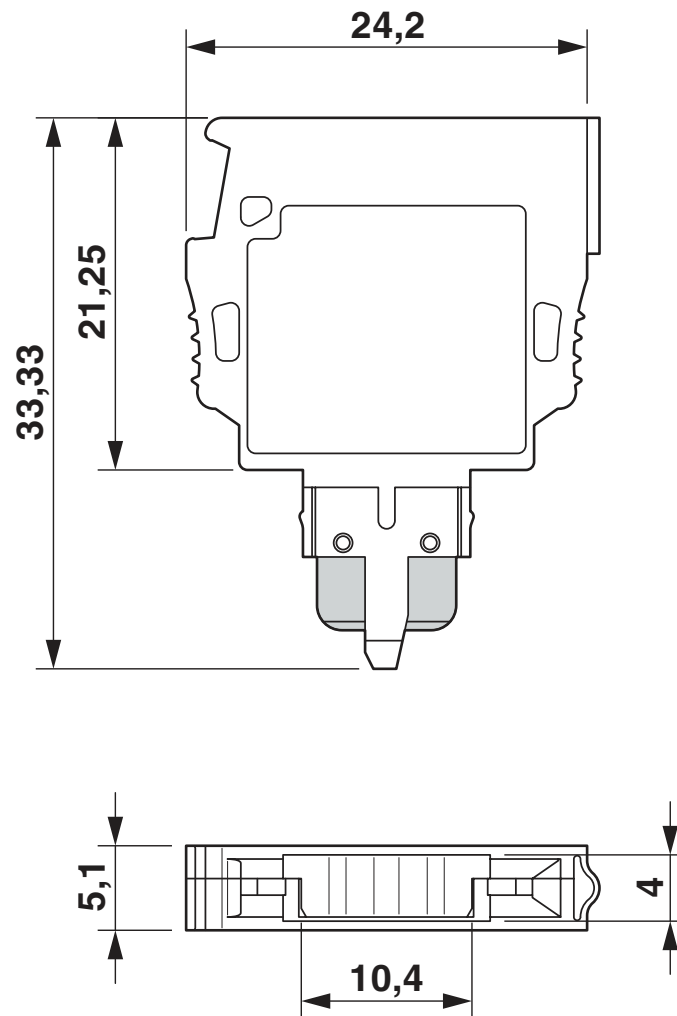
3036796

<https://www.phoenixcontact.com/us/products/3036796>



Drawings

Dimensional drawing



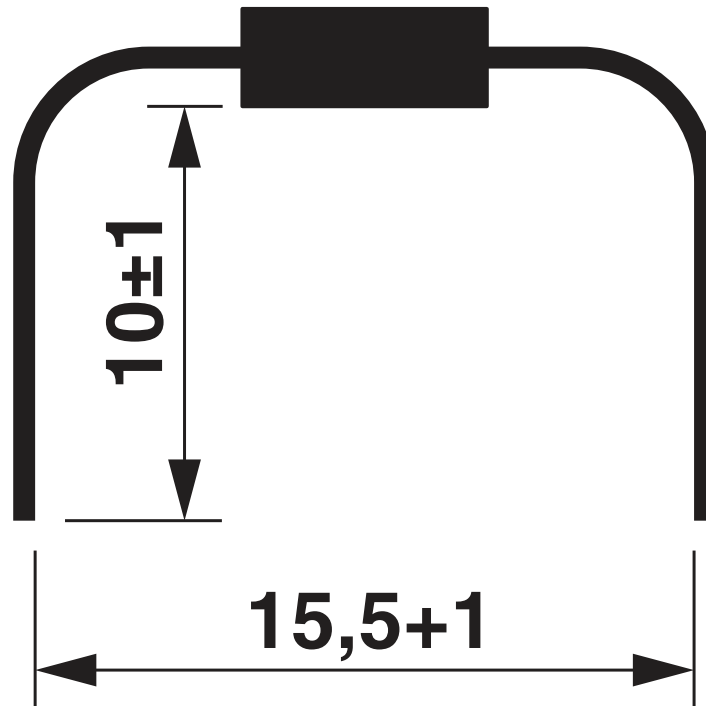
P-CO - Component connector

3036796

<https://www.phoenixcontact.com/us/products/3036796>



Dimensional drawing



P-CO - Component connector



3036796

<https://www.phoenixcontact.com/us/products/3036796>

Approvals

To download certificates, visit the product detail page: <https://www.phoenixcontact.com/us/products/3036796>



CSA

Approval ID: 13631



EAC

Approval ID: RU C-DE.BL08.B.00511

P-CO - Component connector



3036796

<https://www.phoenixcontact.com/us/products/3036796>

Classifications

ECLASS

ECLASS-11.0	27141149
ECLASS-13.0	27250305
ECLASS-12.0	27141149

ETIM

ETIM 8.0	EC002018
----------	----------

UNSPSC

UNSPSC 21.0	39121600
-------------	----------

P-CO - Component connector



3036796

<https://www.phoenixcontact.com/us/products/3036796>

Environmental product compliance

China RoHS	Environmentally friendly use period: unlimited = EFUP-e No hazardous substances above threshold values
------------	---

Phoenix Contact 2023 © - all rights reserved
<https://www.phoenixcontact.com>

Phoenix Contact USA
586 Fulling Mill Road
Middletown, PA 17057, United States
(+717) 944-1300
info@phoenixcon.com