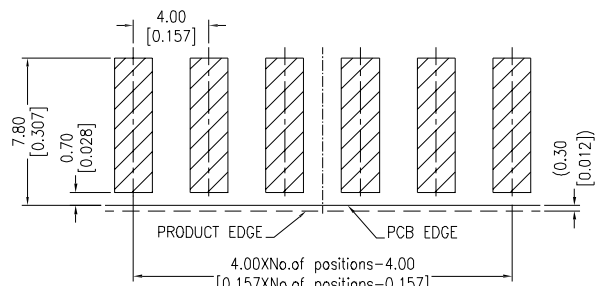
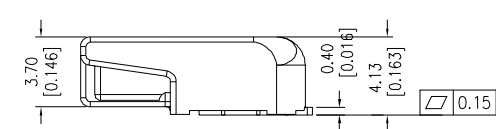
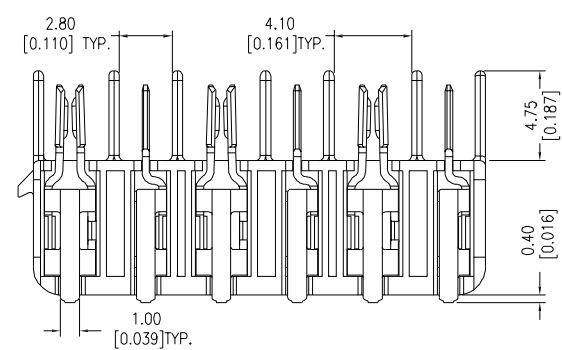
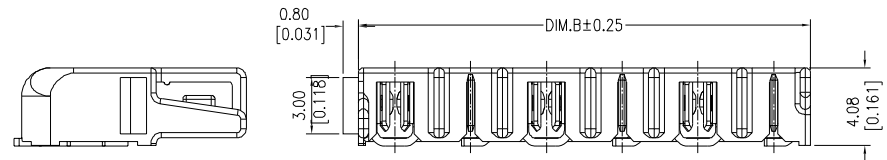
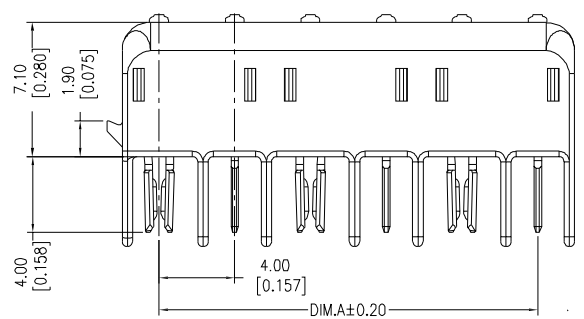


A
B
C
D
E
F
G
H



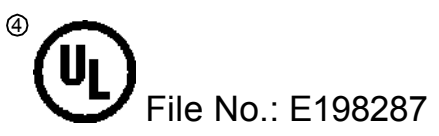
Recommended P.C.B Layout (Top Side)
(PCB BOARD TOLERANCE ± 0.05)

Notes:
 Rated current: 6AMP
 Contact resistance: 18MΩ max.
 Withstand voltage: 1500V AC/DC
 Insulation resistance: 1000MΩ min.
 Operation temperature: -40°C to +105°C
 ③ Solder Temperature: 260°C, 5s
 Contact material: Phosphor Bronze
 ③ Contact plating: 100~200u" Matte Tin plated over 50u" Nickel
 ① Insulator material: LCP+30%G.F UL94V-0

② ABTB-400-xx-SRx
 1 = white insulator
 2 = black insulator
 xx = pin count

No. Of PIN	DIM.A	DIM.B
02	4.00	7.90
04	12.00	15.90
06	20.00	23.90

RoHS compliant
Unit: mm



Scale	Free					Date	Name	Customer-No.
TOLERANCE		④	Add the UL File No.	27.07.2017	Winnie	Drawn	28.01.2016	Ray
.X	±0.40	③	Add and modify note	17.08.2016	Ray	Approved	27.07.2017	Winnie
.XX	±0.25	②	Add black color part	25.05.2016	Ray			
.XXX	±0.15	①	Update the insulator color	13.04.2016	Ray			
DIM	TOL	①	Update the insulator color	13.04.2016	Ray			
Angle	±1.5°	①	Drawn	28.01.2016	Ray			
		①	Drawn	28.01.2016	Ray			
		Id.	Modification	Date	Name			



Customer-No.	
ASSMANN WSW-No. ② ABTB-400-xx-SRx	
Drawing-No.	rev04
ASS 7120 CO	rev04
Replace	Sheet