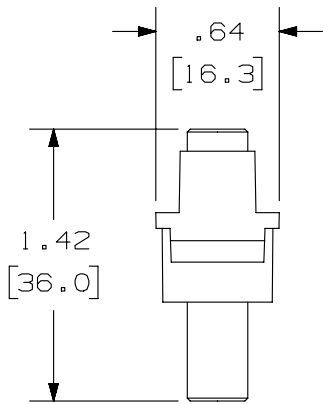


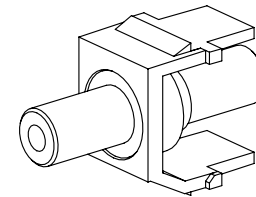
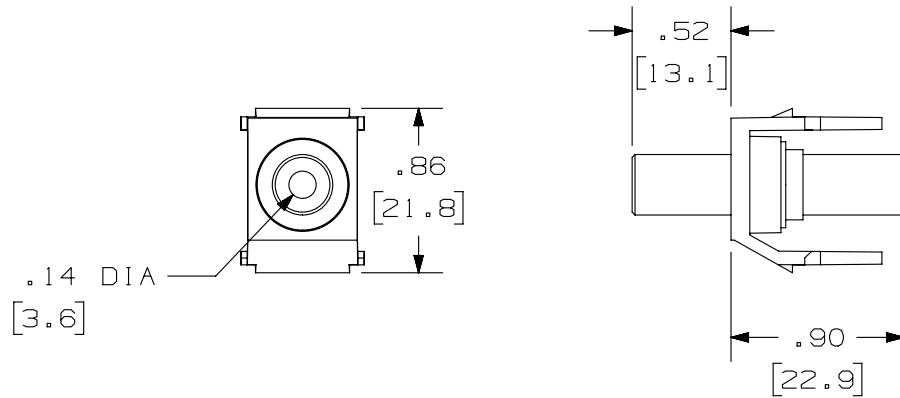
THIS COPY IS PROVIDED ON A RESTRICTED BASIS AND IS NOT TO BE USED IN ANY WAY DETRIMENTAL TO THE INTERESTS OF PANDUIT CORP.



PANDUIT P/N	WEIGHT
NK35MSC**	.23 LB/10 PCS (105.1g/10 PCS)

NOTES:

- SEE CURRENT CATALOG FOR ADDITIONAL PART NUMBER SUFFIXES TO INDICATE COLOR AND OR PACKAGE QUANTITY.
- SEE CATALOG FOR COMPLETE LIST OF PARTS APPLICABLE FOR USE WITH THIS PART.
- DIMENSIONS IN PARENTHESES ARE IN METRIC.
- PART INCLUDES:
1- KEYSTONE MODULE BASE
1- 3.5mm (1/8") HEADPHONE JACK COUPLER (ASSEMBLED TO MODULE BASE)



PART NUMBER		NK35MSC**	
TITLE			
NETKEY 3.5MM (1/8") HEADPHONE JACK COUPLER		MODULE	
CUSTOMER DRAWING			
ITEM REVISION NAME		M02201AD/00	
DATASET FILE NAME		M02201AD_DC12/00B	
UNLESS OTHERWISE SPECIFIED, DIMENSIONAL TOLERANCES ARE: IN [mm]		MATERIAL:	
.x ± .xxx ± .010 [.3]		MODULE: ABS	
.xx ± .03 [.8]		DRAWING NUMBER:	
ANGLES ±		02201 - 12	
THIRD ANGLE PROJECTION		SHT 1 OF 1	
DRAWN BY	DATE	CHK	SCALE
JSP	4-13-05	EB	NONE
REV	DATE	BY	CHK
1	5-09-14	MDJR	REFR
R	4-13-05	JSP	EB
APR	DESCRIPTION		ECN
	A. UPDATED TITLE BLOCK.		02201-12
	RELEASED TO PRODUCTION		02201-12

D10100DA/14