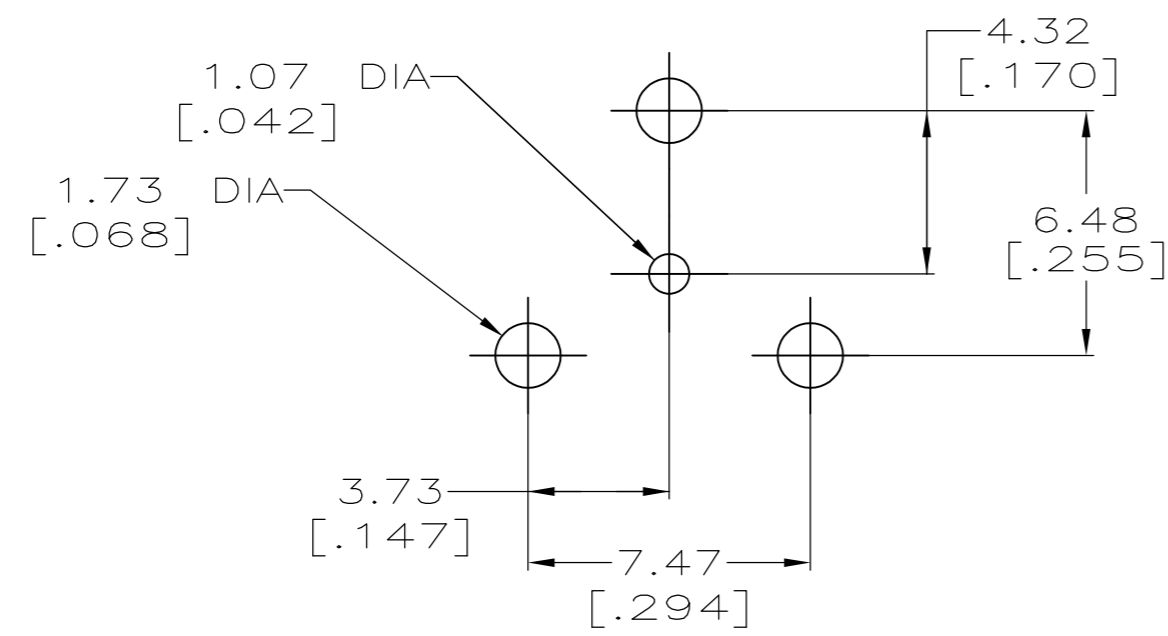
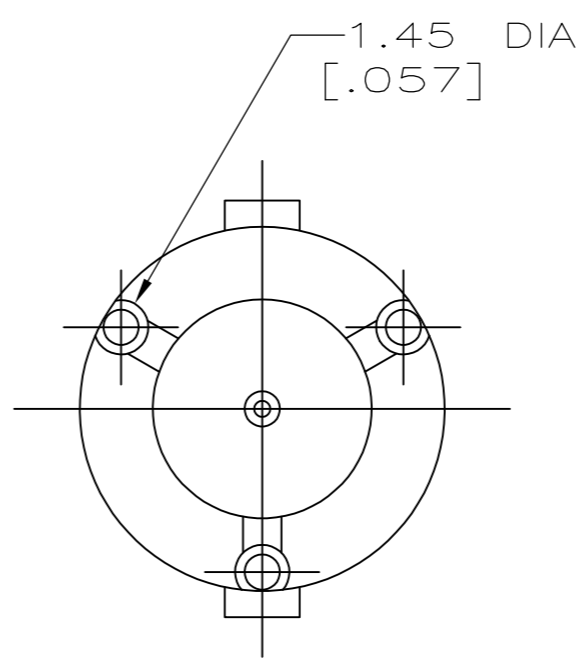
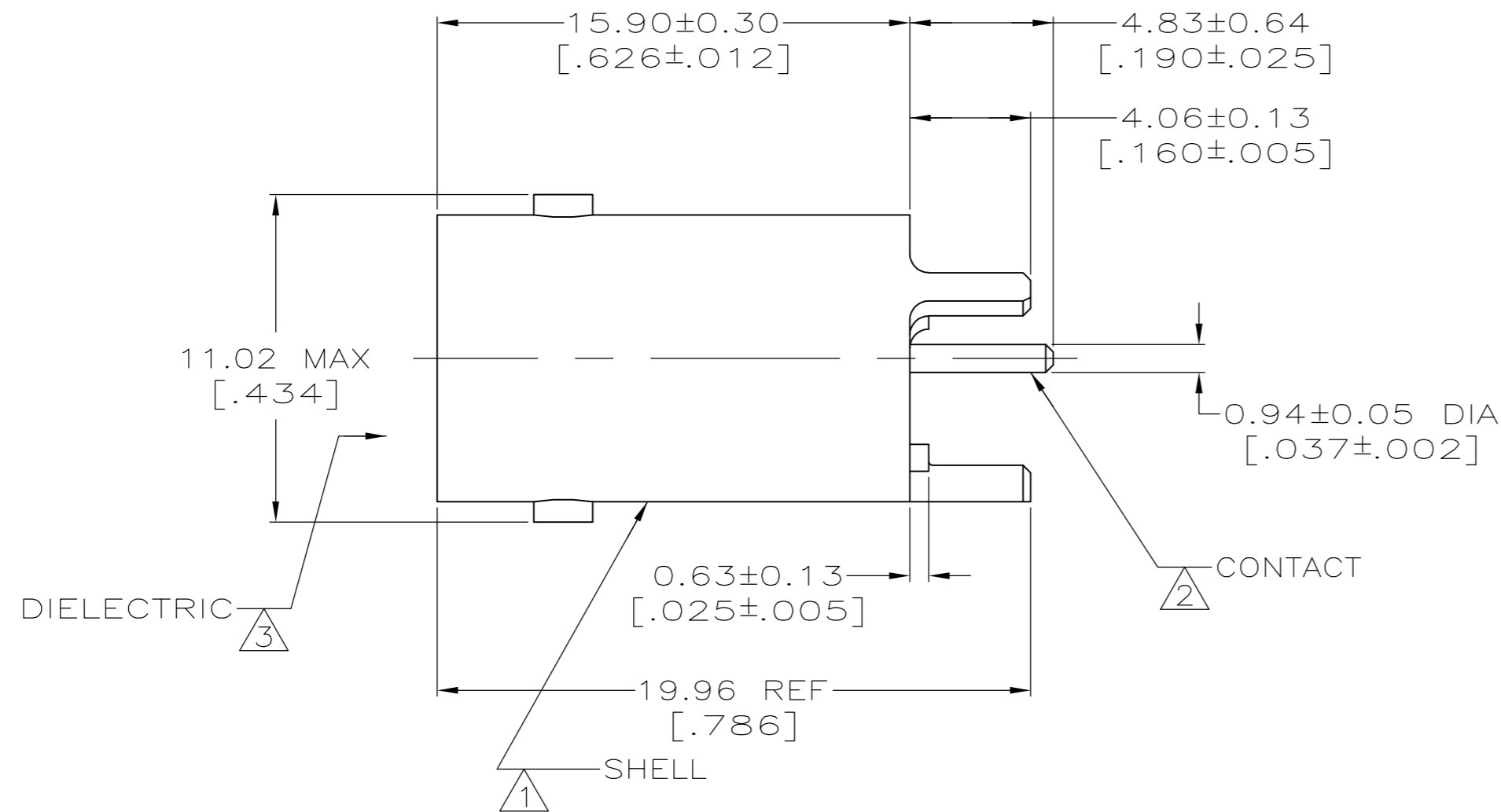


THIS DRAWING IS UNPUBLISHED. RELEASED FOR PUBLICATION
 © COPYRIGHT - TE Connectivity ALL RIGHTS RESERVED.

REVISIONS					
P	LTR	DESCRIPTION	DATE	DWN	APVD
H3		REVISED PER ECO-17-011149	02AUG2017	AS	RS



- ① ZINC PER QQ-Z-363.
- ② PHOSPHOR BRONZE PER ASTM-B-139.
- ③ POLYESTER PER ASTM-D-3220.
- ④ TIN PLATE PER ASTM-B-545, 2.54 μm [.000100] MIN THICK.
- ⑤ GOLD PLATE PER MIL-G-45204 0.76 μm [.000030] MINIMUM THICK.
- ⑥ SILVER PLATE PER QQ-S-365 2.54 μm [.000100] MINIMUM THICK.
- 7. FOR USE WITH .095 MAX THK PC BOARD.
- 8. SEE INSTRUCTION SHEET 408-9889.
- ⑨ TIN-LEAD PLATE PER ASTM-B-545, 2.54μm [.000100] MIN THICK.

OBSOLETE	④	⑤	9-221123-0
OBSOLETE	⑨	④	221123-3
OBSOLETE	⑨	⑤	221123-2
OBSOLETE	⑨	⑥	221123-1
	SHELL PLATING	CONTACT PLATING	PART NUMBER

THIS DRAWING IS A CONTROLLED DOCUMENT.		DWN J. LIPPERT 1-18-93	TE TE Connectivity		
DIMENSIONS: mm [INCHES]		CHK A. GABANY 1-19-93			
TOLERANCES UNLESS OTHERWISE SPECIFIED:		APVD A. GABANY 1-19-93	NAME JACK, VERTICAL, PCB, 50 Ohm, COMMERCIAL BNC		
0 PLC ± - 1 PLC ± - 2 PLC ± 0.08 [.003] 3 PLC ± - 4 PLC ± - ANGLES ± -		PRODUCT SPEC 108-12078	SIZE A2	CAGE CODE 00779	DRAWING NO C=221123
MATERIAL SEE NOTES 1 - 3		FINISH SEE NOTES 4 - 6	WEIGHT 0.000000	SCALE 5:1	SHEET 1 of 1
CUSTOMER DRAWING			RESTRICTED TO -	REV H3	