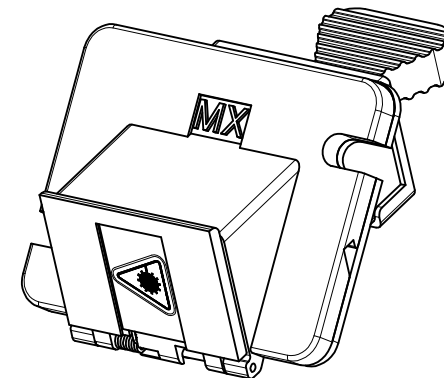


RECOMMENDED MOUNTING PATTERN
SCALE 2.5:1



NOTES:

1. DIMENSIONS SHOWN ARE FOR REFERENCE ONLY.
2. SILICONE GASKET WITH Ag/AI FILLER (SHOWN COMPRESSED) IS SUPPLIED WITH THE PART.
3. OUTER PARTS ARE DIECAST.
4. DUST CAP SHOWN IN ISOMETRIC VIEW ONLY.
5. ADAPTRS TO BE PACKAGED IN TRAY.

ENTER DESCRIPTION EC NO: MF2013-0747 DRMAY:YBEDNYAK 2013/06/06 CHKD: APPR:IGUMIN 2013/06/14	QUALITY SYMBOLS
	▼=0
	▽=0
	REV DESCRIPTION

GENERAL TOLERANCES (UNLESS SPECIFIED)	DIMENSION STYLE IN/MM
4 PLACES ± --- ± ---	DRAWN BY DATE PG IBL IN 2005/11/17
3 PLACES ± --- ± ---	CHECKED BY DATE
2 PLACES ± --- ± ---	APPROVED BY DATE WCHEN 2010/10/19
1 PLACE ± --- ± ---	MATERIAL NO. 1061143000
ANGULAR ±1/2°	DOCUMENT NO. SD-106114-3000
DRAFT WHERE APPLICABLE MUST REMAIN WITHIN DIMENSIONS	SIZE B

SCALE 4:1	DESIGN UNITS INCH	THIRD ANGLE PROJECTION
TITLE MPO EMI ADAPTER 45 DEGRE 45 DEGREE (SCREW MOUNT)		
molex MOLEX INCORPORATED		
SHEET NO. 1 OF 1		

THIS DRAWING CONTAINS INFORMATION THAT IS PROPRIETARY TO MOLEX INCORPORATED AND SHOULD NOT BE USED WITHOUT WRITTEN PERMISSION		
---	--	--