

Features

- Low Insertion Loss
- Low Ripple

Description

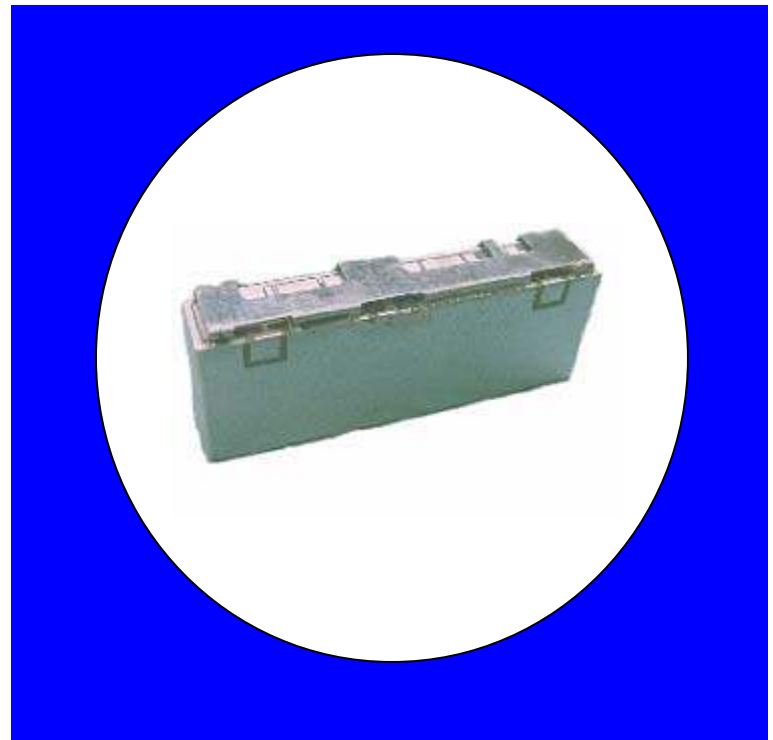
Surface mount, silver (Ag) coated ceramic duplexer. Developed for use in 800 MHz Infrastructure Applications.

Weight: 12.25 grams typical

Material: Filter is composed of a ceramic block plated with Ag and a shield made of Sn plated steel.

Filter complies with RoHS standards.

Electrical Specifications



Parameter	Frequency MHz	Typical @ 25°C	Specification @ 25°C	Spec over -40°C to +85°C
Low Band Iloss	806 - 824	-1.45	-1.70	-1.80
High Band Iloss	896 - 902	-1.30	-1.70	-1.80
Low Band Ripple	806 - 824	0.20	0.50	0.50
High Band Ripple	896 - 902	0.10	0.50	0.50
Passband Return Loss	806 - 824	-16.00	-12.00	-12.00
Passband Return Loss	896 - 902	-16.00	-12.00	-12.00
Attenuation	0.1 - 756	-45.00	-24.00	-24.00
	851 - 866	-28.00	-25.00	-25.00
	952 - 971	-30.00	-24.00	-24.00
	1400 - 1700	-36.00	-30.00	-30.00
	1700 - 1800	-14.00	-8.00	-8.00
Power into any port		3 Watt max		

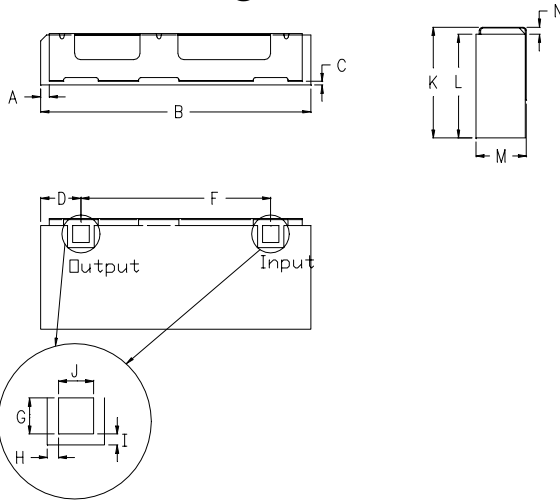
Note: Supplier shall test each filter to the critical electrical specifications of the above table. Any subsequent audits may deviate from in value due to measurement repeatability among different test systems. Such deviations shall not exceed the following limits:

Specification Allowance	
Insertion Loss	0.1 dB
Return Loss	1.0 dB
Stopbands	1.0 dB

*This product is covered by one or more of the following U.S. and foreign patents including: US 4,692,726;US 4,742,562; US 4,800,348;US 4,829,274;US 5,146,193;EP 0573597;DE 0573597;FR 0573597;JP 508149/92;KR 142171;US 5,162,760;US 5,218,329;US 5,250,916;US 5,327,109;US 5,488,335;CA 2114029;FR 9306297;GB 2273393;JP 3205337;KR 115113;CN 93106228.4;US 5,512,866;EP 0706719;DE 0706719;FR 0706719;GB 0706719;CN 95190359.4;US 5,602,518;US 5,721,520;US 5,745,018;EP 0910875;DE 0910875;DK 0910875;FR 0910875;GB 0910875;IE 0910875;JP 505182/98;KR 10-323013;US 5,994,978;US 6,462,629;CN 00810420.4;US 6,559,735;US 6,650,202;US 6,834,429. Other US and foreign patents pending.

CTS Corporation 2006 reserves all copyrights in the layout, design and configuration of the patterns on this product.

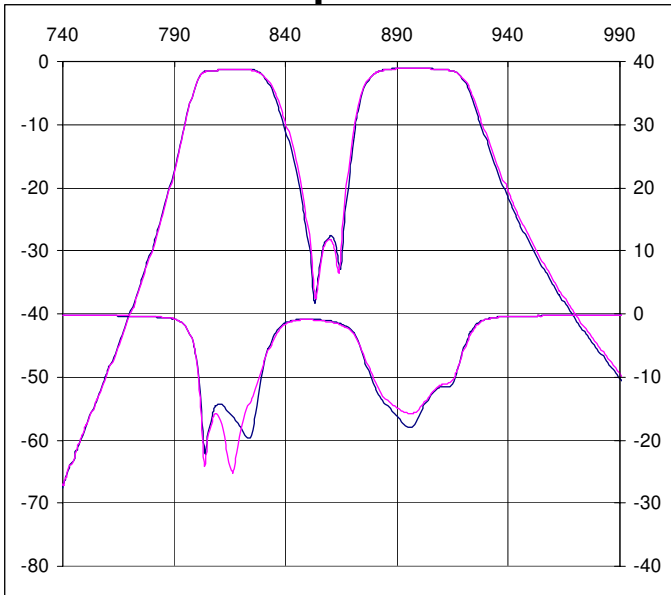
Mechanical Drawing



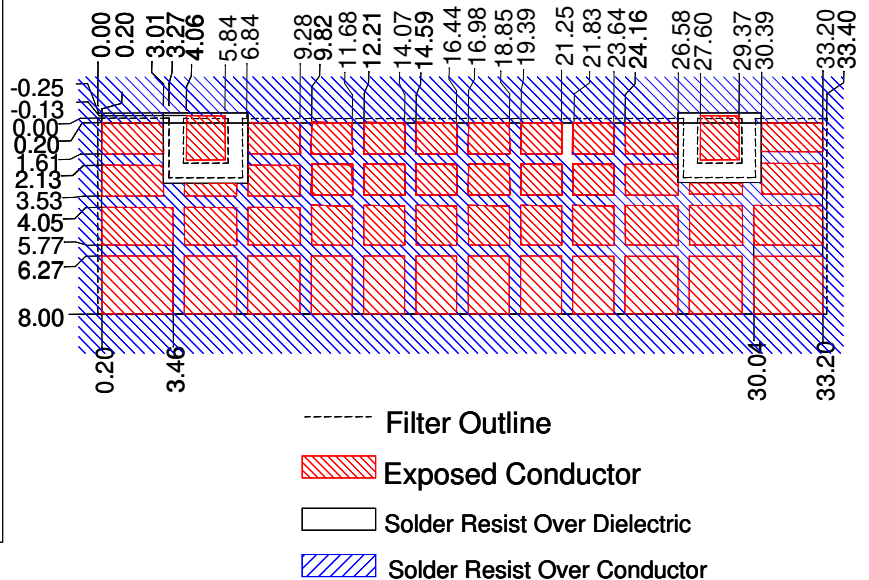
Dimension	Nominal (mm)	Tolerance (mm) +/-
B	33.80	max
D	5.02	0.25
F	23.53	0.13
G	2.03	0.13
H	0.64	0.13
I	0.64	0.13
J	2.03	0.13
K	8.00	max
L	7.00	max
M	6.50	max
N*	0.89	0.13

*Indicates Reference Only

Electrical Response

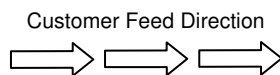


PCB Layout



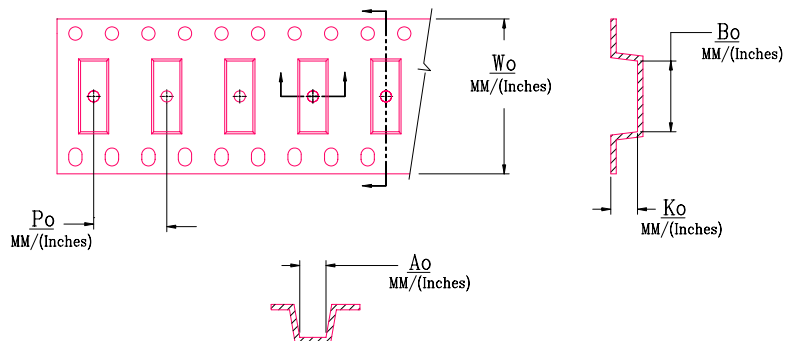
Packaging and Marking

DIMENSION	UNITS	SPECIFICATION
REEL DIAMETER	mm	330
REEL WEIGHT	kg	3.8
REEL QUANTITY	ea.	250



Product Marking

CTS
440
YWW



MODEL NO.	W_o	A_o	B_o	K_o	P_o
	56.0/(2.205)	8.00/(0.315)	34.10/(1.343)	6.70/(0.264)	16.0/(0.630)