

XU1N18NP341WD

Photoelectric sensors XU, XU1, reflex, 90°, Sn
4 m, 12...24 VDC, M12



Main

| | |
|-------------------------------|---|
| Range of Product | Telemecanique Photoelectric sensors XU |
| Series name | Application food and beverage |
| Electronic sensor type | Photo-electric sensor |
| Sensor name | XU1 |
| Sensor design | Cylindrical M18 |
| Detection system | Reflex |
| Material | Stainless steel |
| Line of sight type | 90° lateral |
| Type of output signal | Discrete |
| Supply circuit type | DC |
| Wiring Technique | 3-wire |
| Discrete output type | NPN |
| Discrete output function | 1 NO or 1 NC programmable |
| Electrical connection | 1 male connector M12, 4 pins |
| Product Specific Application | - |
| Emission | Infrared reflex |
| [Sn] nominal sensing distance | 13.12 ft (4 m) reflex need reflector XUZC50 |

Complementary

| | |
|---------------------------|--|
| Enclosure Material | Stainless steel : 304 CU |
| Lens material | PMMA |
| Maximum sensing distance | 18.04 ft (5.5 m) with reflector 50 x 50 mm |
| Output Type | Solid state |
| Add on output | Without |
| Add on input | Programmation |
| Status LED | 1 LED green)supply on 1 LED yellow)output state |
| [Us] rated supply voltage | 12...24 V DC reverse polarity protection |
| Supply voltage limits | 10...30 V DC |
| Switching capacity in mA | <= 100 mA overload and short-circuit protection) |
| Switching frequency | <= 500 Hz |
| Maximum voltage drop | <1.5 V closed state) |
| Current consumption | <= 30 mA no-load |
| Maximum delay first up | 15 ms |
| Maximum delay response | 1 ms |
| Maximum delay recovery | 1 ms |
| Setting-up | Without sensitivity adjustment |
| Diameter | 0.71 in (18 mm) |
| Length | 3.46 in (88 mm) |
| Net Weight | 0.19 lb(US) (0.085 kg) |
| Kit composition | Sensor Reflector XUZC50 |

The information provided in this documentation contains general descriptions and/or technical characteristics of the performance of the products contained herein. This documentation is not intended as a substitute for and is not to be used for determining suitability or reliability of these products for specific user applications. It is the duty of any such user or integrator to perform the appropriate and complete risk analysis, evaluation and testing of the products with respect to the relevant specific application or use thereof. Neither Schneider Electric Industries SAS nor any of its affiliates or subsidiaries shall be responsible or liable for misuse of the information contained herein.

Environment

| | |
|---------------------------------------|--|
| Product Certifications | CE CSA UL |
| Ambient air temperature for operation | -13...131 °F (-25...55 °C) |
| Ambient Air Temperature for Storage | -40...158 °F (-40...70 °C) |
| Vibration resistance | 25 gn +/- 1.5 mm 10...55 Hz) IEC 60068-2-6 |
| Shock resistance | 30 gn 11 ms) IEC 60068-2-27 |
| IP degree of protection | IP67 IEC 60529 |

Ordering and shipping details

| | |
|-----------------------|------------------------------|
| Category | 22481-SENSORS, PHOTOELECTRIC |
| Discount Schedule | DS2 |
| GTIN | 3389110853117 |
| Nbr. of units in pkg. | 1 |
| Package weight(Lbs) | 3.17 oz (90.0 g) |
| Returnability | No |
| Country of origin | FR |

Packing Units

| | |
|------------------------|------------------|
| Unit Type of Package 1 | PCE |
| Package 1 Height | 1.77 in (4.5 cm) |
| Package 1 width | 3.23 in (8.2 cm) |
| Package 1 Length | 2.83 in (7.2 cm) |

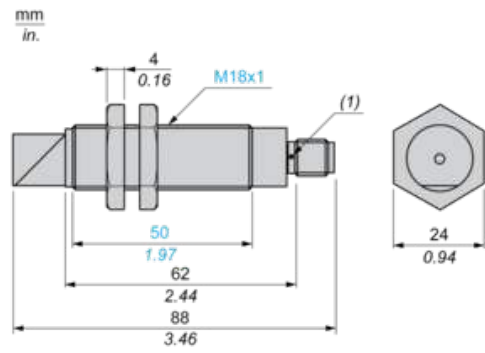
Offer Sustainability

| | |
|---------------------------|---|
| California proposition 65 | WARNING: This product can expose you to chemicals including: Diisononyl phthalate (DINP), which is known to the State of California to cause cancer, and Di-isodecyl phthalate (DIDP), which is known to the State of California to cause birth defects or other reproductive harm. For more information go to www.P65Warnings.ca.gov |
| REACH Regulation | REACH Declaration |
| EU RoHS Directive | Not applicable, out of EU RoHS legal scope |
| Environmental Disclosure | Product Environmental Profile |
| Circularity Profile | End Of Life Information |

Contractual warranty

| | |
|----------|-----------|
| Warranty | 18 months |
|----------|-----------|

Dimensions



(1) LED

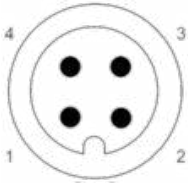
Mounting and Clearance

Fixing nut tightening torque: < 15 N.m

Connector tightening torque: 2 N.m

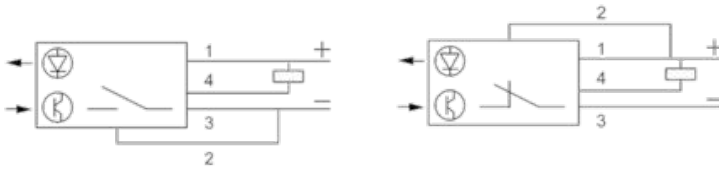
Wiring Schemes

M12 Connector



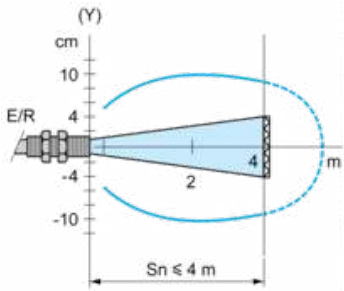
- 3 : (-)
- 1 : (+)
- 4 : OUT/Output
- 2 : Prog

3-wire, NPN NO or NC Programmable Function



Detection Curves

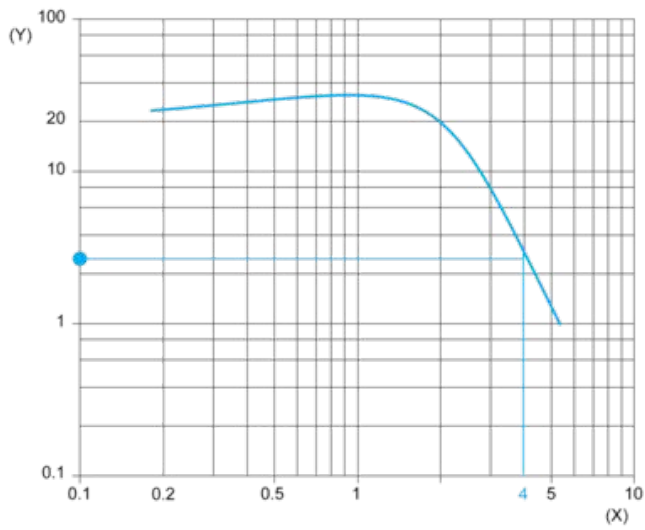
Reflex System with Reflector XUZC50



(y) Ø of beam

Excess Gain Curves (Ambient Temperature: + 25° C)

Reflex System with Reflector XUZC50



(y) Gain

(x) Distance (m)