

REVISIONS				
SYM	ZONE	ECN, ERN NO.	DATE	APPRD.
A		PER ECN E07260	AUG9/07	L.CHAN

**DATA CONTROL
RELEASE**

DEPT. NO. ---626---

DATE: AUG 10, 2007

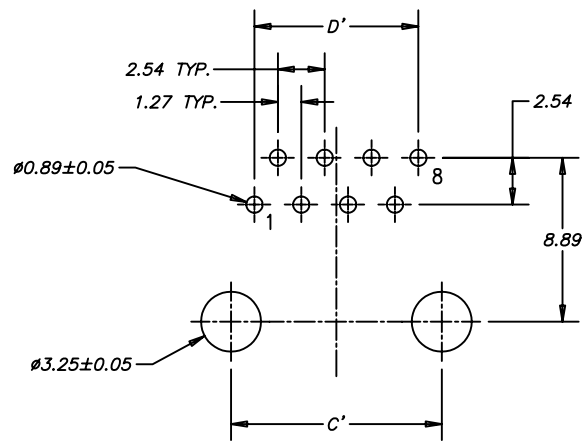
PART NUMBER	NO. OF POSITIONS	NO. OF CONTACTS	DIMENSIONS			
			'A'	'B'	'C'	'D'
RJEO2-142-0X20	4	2	11.18	7.85	7.62	1.27
RJEO2-144-0X20	4	4	11.18	7.85	7.62	3.81
RJEO2-162-0X20	6	2	13.21	9.88	10.16	1.27
RJEO2-164-0X20	6	4	13.21	9.88	10.16	3.81
RJEO2-166-0X20	6	6	13.21	9.88	10.16	6.35
RJEO2-188-0X20	8	8	15.24	11.91	11.43	8.89

MATERIAL:

HOUSING: ENGINEER THERMOPLASTIC
FLAMMABILITY RATING UL94V-0
COLOUR: BLACK

CONTACTS: PHOSPHOR BRONZE

PLATING: MATING AREA: SELECTIVELY PLATED GOLD-PER
PART NUMBER OPTIONS
50 MICROINCH [1.27 MICRONS] MIN. NICKEL OVERALL
100 MICROINCH [2.54 MICRONS] MIN. MATTE-TIN OR
GOLD FLASH OVER TAIL.



LOCATE HOLES
 $\phi \ 0.005 [0.13]$
POSITION DIMENSIONS
ARE BASIC

RECOMMENDED P.C.B. LAYOUT

AMPHENOL PART NUMBER: R J E O 2 - 1 X X - 0 X 1 0

- | | |
|-------------------------|---------------------|
| NO. OF POSITIONS | GOLD PLATING |
| 4 = 4 POSITIONS | 1 = 6 μINCH |
| 6 = 6 POSITIONS | 2 = 15 μINCH |
| 8 = 8 POSITIONS | 3 = 30 μINCH |
| | 4 = 50 μINCH |

- NO. OF CONTACTS**
- 2 = 2 CONTACTS (POSITION 4 & 5)
 - 4 = 4 CONTACTS (POSITION 3,4,5,6)
 - 6 = 6 CONTACTS (POSITION 2,3,4,5,6,7)
 - 8 = 8 CONTACTS (POSITION 1~8)

DRAWN J.OUYANG	DATE AUG9/07	Amphenol Canada Corp.	
DESIGNED			
CHECKED MT.CHAN	AUG9/07	TITLE	
I. E. APPRD. JEFF.S	AUG9/07	RJEO2 SERIES ASSEMBLY, SIDE ENTRY, WITHOUT SHIELD - RoHS COMPLIANT	
Q. A. APPRD.			
DWG. APPRD.			
ENG. REL. NO. E07260	DWG. C	DRAWING NO. P-RJEO2-1XX-0X10	REV. A
REF. EAR #A070803	DIMENSIONS ARE IN mm	SCALE 4/1	WT. _____ SURF. _____ SHEET 1 OF 1
	CODE ID. NO. 03554		

THIS DOCUMENT CONTAINS PROPRIETARY INFORMATION AND SUCH INFORMATION MAY NOT BE DISCLOSED TO OTHERS FOR ANY PURPOSE OR USED FOR MANUFACTURING PURPOSES WITHOUT WRITTEN PERMISSION FROM AMPHENOL CANADA CORP.