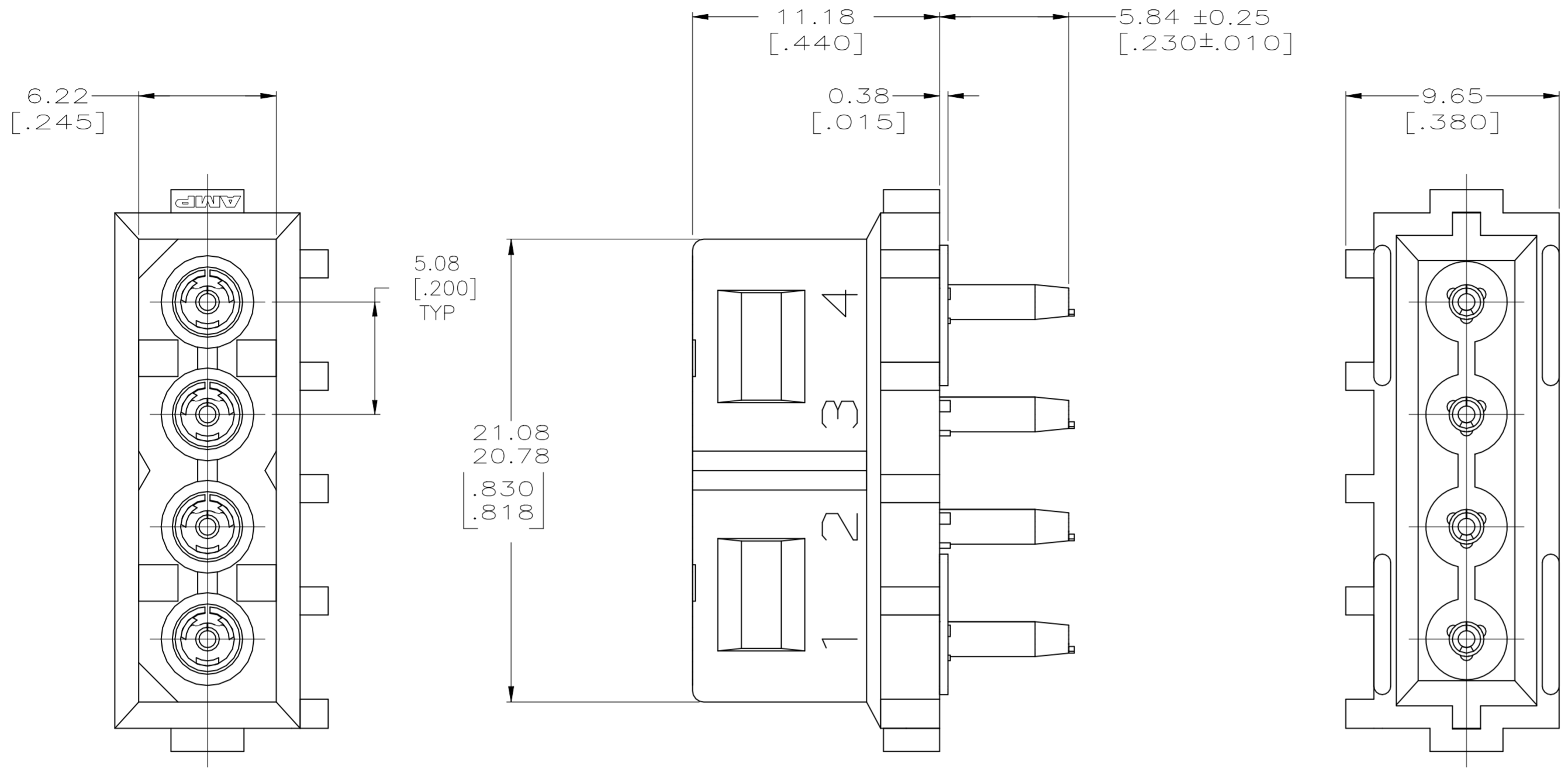
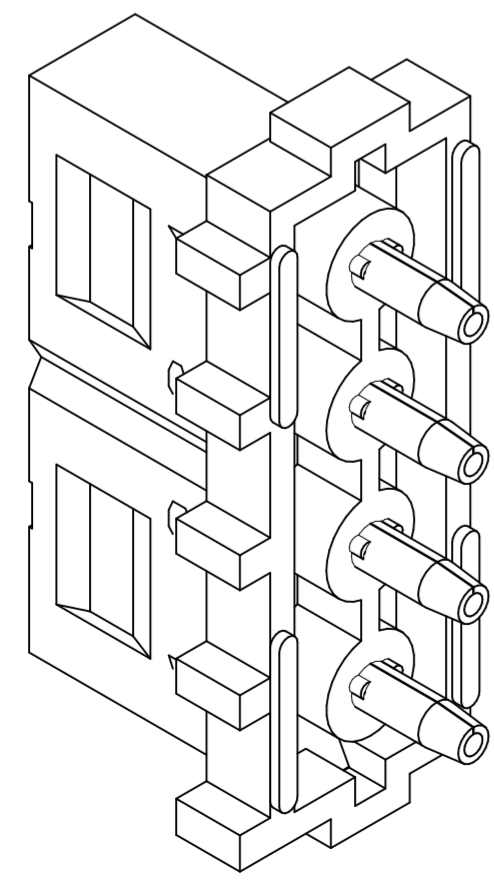


THIS DRAWING IS UNPUBLISHED. RELEASED FOR PUBLICATION
 © COPYRIGHT BY TYCO ELECTRONICS CORPORATION. ALL RIGHTS RESERVED.

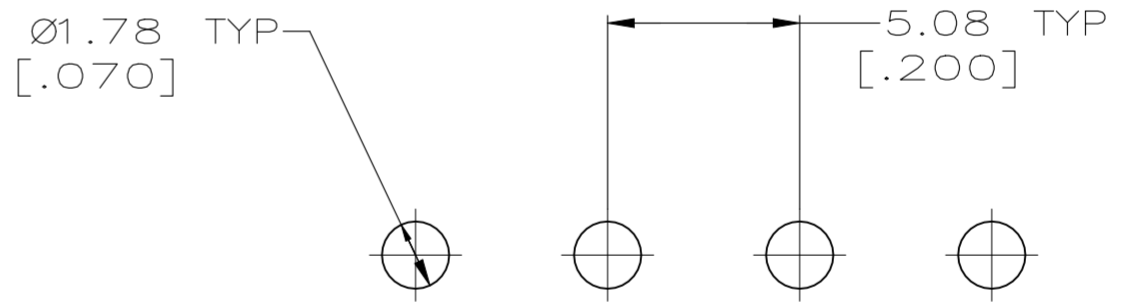
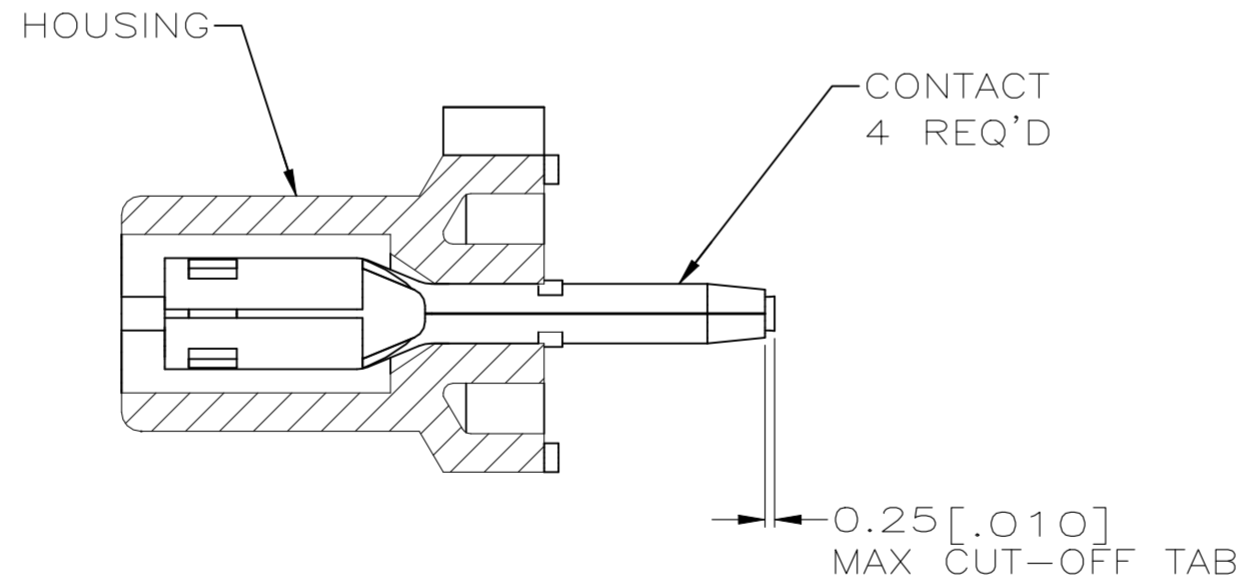
LOC	DIST	REVISIONS					
CM	0	P	LTR	DESCRIPTION	DATE	DWN	APVD
		A		REVISED PER ECR-21-117185	25OCT2021	PJ	VS



- PARTS COMPLY WITH AMP SOLDERABILITY SPEC. 109-11-5.
- DIMENSION SHOWN REPRESENT PRODUCT IN DRY CONDITION. ADDITIONAL 2% GROWTH DUE TO END USE LOCATION MOISTURE ABSORPTION MAY OCCUR AND SHOULD BE ACCOUNTED FOR.



3-DIMENSIONAL MODEL NTS



RECOMMENDED MOUNTING HOLE PATTERN FOR 1.57 [.062] THICK P.C. BOARD

PH BRZ	PRE-TIN	NYLON, UL94V-2	NATURAL	1586542-1
MATERIAL	FINISH	MATERIAL	COLOR	PART NO
PIN		HOUSING		
THIS DRAWING IS A CONTROLLED DOCUMENT.		DWN S SCHLEGEL 7/28/05	Tyco Electronics Corporation	
DIMENSIONS: mm [INCHES]		CHK D COLEY 7/28/05	Harrisburg, Pa 17105-3608	
TOLERANCES UNLESS OTHERWISE SPECIFIED:		APVD D COLEY 7/28/05	NAME	
0 PLC ± -	1 PLC ± -	PRODUCT SPEC	SOCKET HEADER ASSEMBLY, 4 CIRCUIT, COMMERCIAL MATE-N-LOK	
2 PLC ± 0.13 [.005]	3 PLC ± -	APPLICATION SPEC	SIZE A2	CAGE CODE 00779
4 PLC ± -	ANGLES ± 0°30'	WEIGHT -	DRAWING NO C-1586542	RESTRICTED TO -
MATERIAL SEE TABLE	FINISH SEE TABLE	CUSTOMER DRAWING	SCALE 5:1	SHEET 1 OF 1

1586542