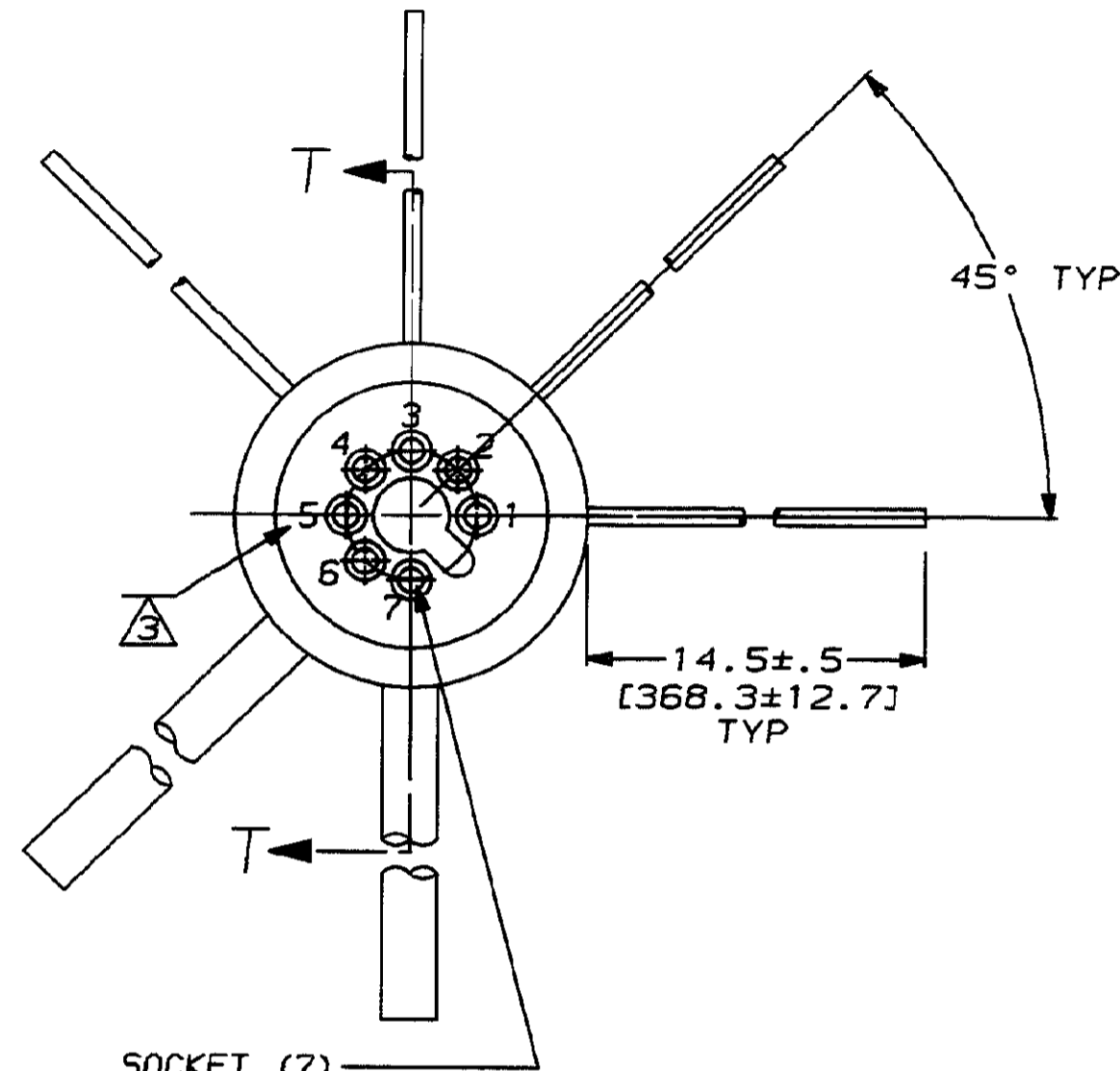
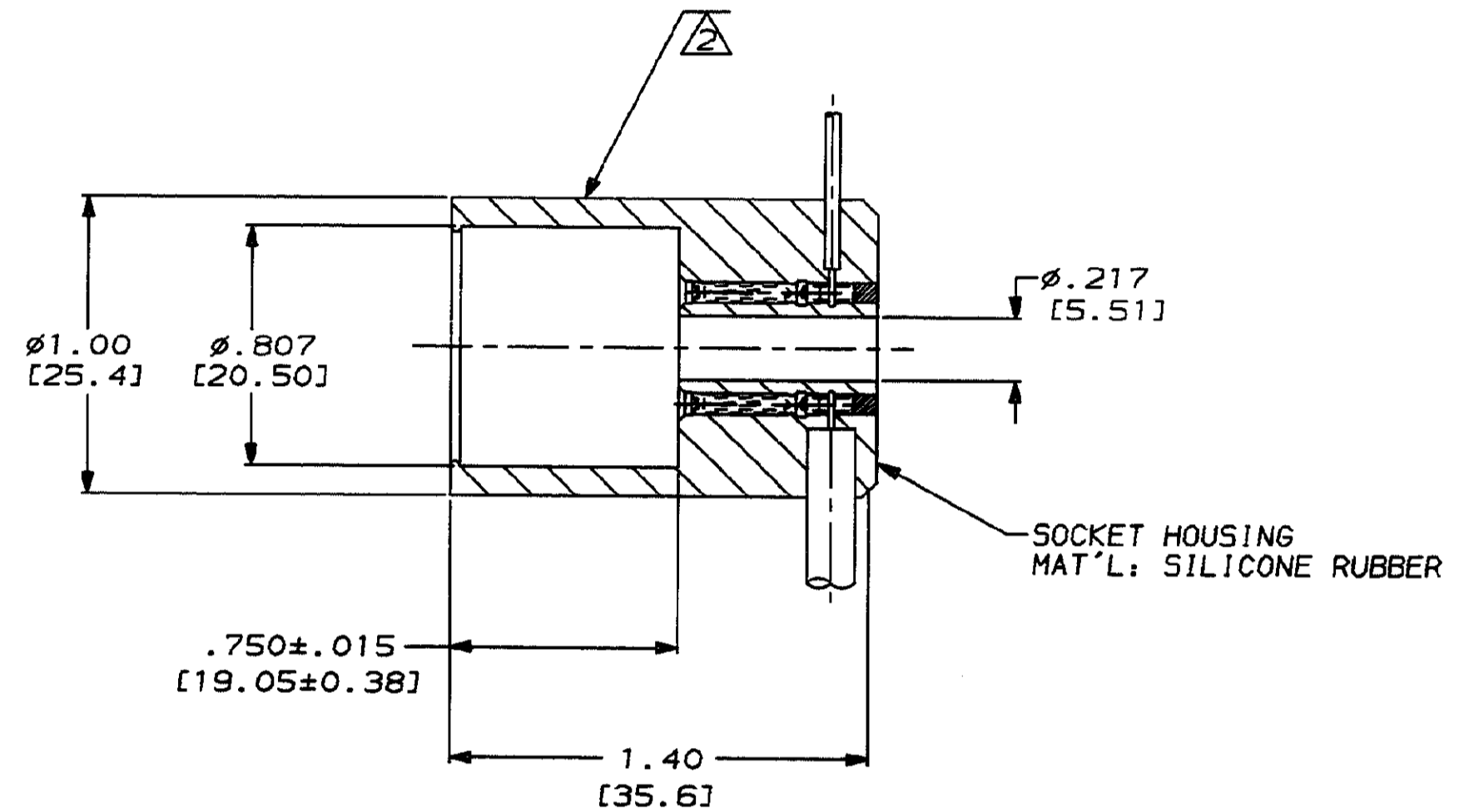


PROG	LOC	DIST	P	F	ZONE	LTR	DESCRIPTION	DATE	APPD
4092	DF	50					RELEASED PER NPR 92-137 CT	5-92	DE
							REVIESED PER DF-6397 CT	7-92	DE
							REVIESED PER DF-6480 CT	7-92	DE
							REVIESED PER DF-6527 CT	7-92	CS



SOCKET (7)
 MAT'L: COPPER ALLOY APPROVED
 PER MIL-C-39029
 FINISH: GOLD PER MIL-G-45204



SECTION T-T

- ① TEFLON INSULATED WIRE PER MIL-W-16878/5
- ② AMP INFORMATION MARKED PER MIL-STD-130.
- ③ NUMBERS SHOWN FOR REFERANCE ONLY.

448335-1
 PART NO.

PIN	COLOR	AWG	INSULATION	O.D.
7	BLUE	#20 AWG	SILICONE	.161
6	RED	#20 AWG	SILICONE	.161
5	-	-	-	-
4	BLACK	#22 AWG	TEFLON ①	.050
3	BROWN	#22 AWG	TEFLON ①	.050
2	YELLOW	#22 AWG	TEFLON ①	.050
1	GREEN	#22 AWG	TEFLON ①	.050

THIS DRAWING IS A CONTROLLED DOCUMENT FOR AMP INCORPORATED. IT IS SUBJECT TO CHANGE AND THE CONTROLLING ENGINEERING ORGANIZATION SHOULD BE CONTACTED FOR THE LATEST REVISION.

DO NOT SCALE PRINT. UNLESS SPECIFIED DIMENSIONS IN INCHES [mm] TOLERANCES ON: 2 PLC DEC ± .01 [0.3] 3 PLC DEC ± .005 [0.13] ANGLES ± 0°30'	DR 5-20-92 C.C.THOMAS CHK 5-27-92 D.EABY APPD 5-27-92 D.EABY APPD 5-27-92 C.C.THOMAS PRODUCT SPEC	AMP AMP Incorporated Harrisburg, PA 17105-3608 NAME TUBE BASE, LGH, 7 POSN. EIA E7-91
MATERIAL SEE CALLOUTS FINISH SEE CALLOUTS	APPLICATION SPEC - WEIGHT -	
	SIZE C CAGE CODE 00779 DRAWING NO C-448335	SCALE 2:1 SHEET 1 OF 1

CUSTOMER DRAWING