

**IE-BHD-SPE-M8-OT-FP****Weidmüller Interface GmbH & Co. KG**

Klingenbergstraße 26

D-32758 Detmold

Germany

www.weidmueller.com



Single pair Ethernet is a technology that only requires one pair of wires to transmit data and power. The resulting benefits will make SPE the preferred network at the field level and beyond.

**Advantages of Single Pair Ethernet**

- Consistent: Single Pair Ethernet enables uniform Ethernet-based communication from the sensor to the cloud
- Future-proof: key technology for Industry 4.0 and IIoT
- Flexible: ranges of up to 1000 m and transmission properties of up to 1 Gbps enable use across applications
- Innovative: lighter, less space required, and reduced installation effort

**General ordering data**

Version	PCB, M8 socket housing, IP67, Frontpanel mounting
Order No.	<a href="#">2726020000</a>
Type	IE-BHD-SPE-M8-OT-FP
GTIN (EAN)	4050118810776
Qty.	10 pc(s).

**IE-BHD-SPE-M8-OT-FP****Weidmüller Interface GmbH & Co. KG**

Klingenbergstraße 26

D-32758 Detmold

Germany

www.weidmueller.com

**Technical data****Dimensions and weights**

Net weight 3 g

**Temperatures**

Operating temperature -40 °C...85 °C

**General Info**

Configuration	Frontpanel mounting	UL 94 flammability rating	V-0
Colour	silver	Housing main material	Brass, nickel-plated
Connection thread	M10 x 0.75	Type of mounting	Screw mounting
Protection degree	IP67		

**Electrical properties**Insulation strength  $\geq 500 \text{ M}\Omega$ **General standards**

Connector standard IEC 61076-2-104

**General information**

Protection degree IP67 UL 94 flammability rating V-0

**Classifications**

ETIM 6.0	EC001031	ETIM 7.0	EC001031
ECLASS 9.0	27-18-27-02	ECLASS 9.1	27-18-27-02
ECLASS 10.0	27-18-27-02	ECLASS 11.0	27-18-27-02

**Approvals**

ROHS Conform

**Downloads**Engineering Data [STEP](#)

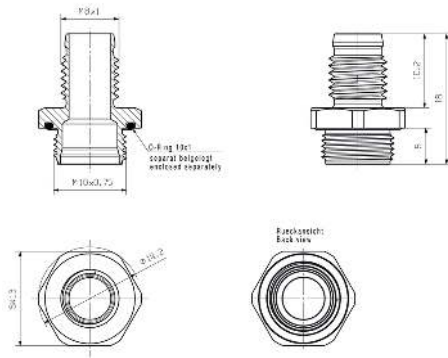
**IE-BHD-SPE-M8-OT-FP**

**Weidmüller Interface GmbH & Co. KG**  
Klingenbergstraße 26  
D-32758 Detmold  
Germany

**Drawings**

[www.weidmueller.com](http://www.weidmueller.com)

**Dimensioned drawing**



## IE-BHD-SPE-M8-OT-FP

**Weidmüller Interface GmbH & Co. KG**  
Klingenbergstraße 26  
D-32758 Detmold  
Germany

[www.weidmueller.com](http://www.weidmueller.com)

## Accessories

### housings



Single pair Ethernet is a technology that only requires one pair of wires to transmit data and power. The resulting benefits will make SPE the preferred network at the field level and beyond.

#### Advantages of Single Pair Ethernet

- Consistent: Single Pair Ethernet enables uniform Ethernet-based communication from the sensor to the cloud
- Future-proof: key technology for Industry 4.0 and IIoT
- Flexible: ranges of up to 1000 m and transmission properties of up to 1 Gbps enable use across applications
- Innovative: lighter, less space required, and reduced installation effort

### General ordering data

Type	IE-BHD-SPE-FP-CN-M10X0. ...	Version
Order No.	<a href="#">2739640000</a>	Locknut, PCB, M8 socket housing
GTIN (EAN)	4050118829617	
Qty.	10 pc(s).	