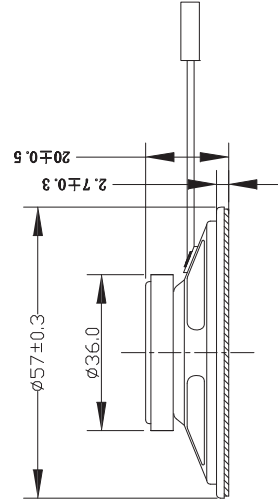
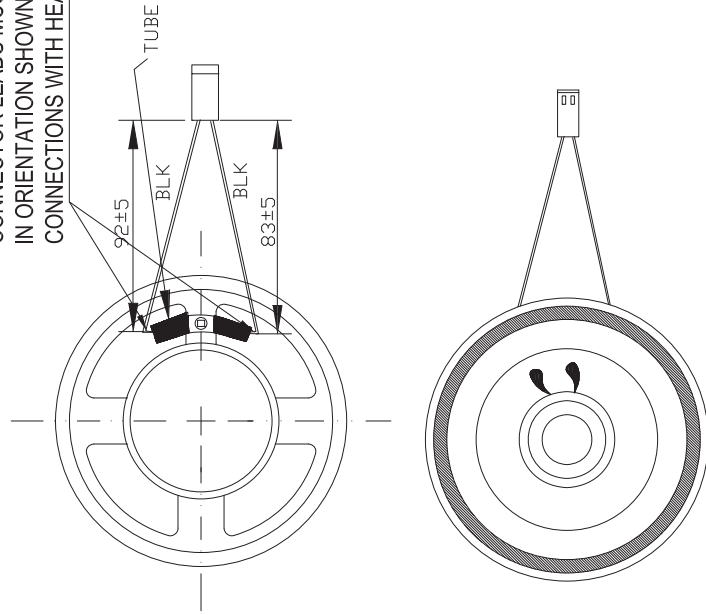
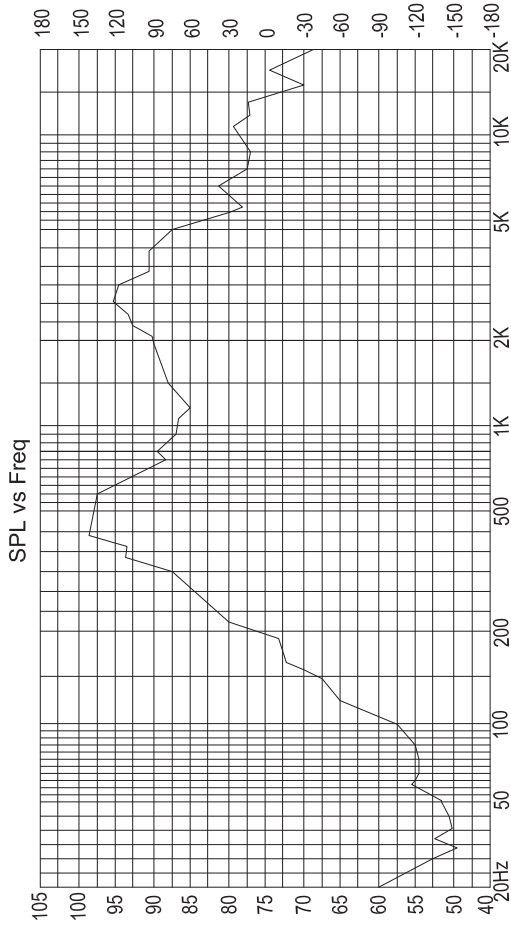


CONNECTOR LEADS MUST BE SOLDER
IN ORIENTATION SHOWN COVER
CONNECTIONS WITH HEAT SHRINK TUBING.



NOTES:

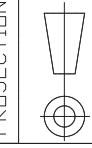
CONNECTOR: MANUFACTURE CJT P/N A2543-2P, MOLD P/N HR-2542 (BROWN)
TERMINAL: MANUFACTURE CJT P/N A2543-TB
WIRE: UL1007 AWG22# BLACK



NOTE: ALL DIMS ARE IN mm.

15	GLUE(DOWN-LEAD)	FC-900B	1	BLACK
14	GLUE(DAMPER)	1600H	1	YELLOW
13	SOLDER	TIN	1	LEAD FREE
12	WIRE HARNESS	UL1007AWG#22 ROHS COMPLIANT	1	BLACK&RED
11	DUST CAP	PAPER	1	BLACK
10	LEAD WIRE	COPPER	1	BRASSINESS
09	DAMPER	NO-WOVEN CLOTH	1	YELLOW
08	GASKET	PAPER ROHS	1	BLACK
07	TERMINAL BLOCK	CU PLATING	1	CONNECTOR
06	VOICE COIL	COPPER(SDH,0.085MM)	1	NA
05	DIAPHRAGM	PAPER	1	BLACK
04	YDKE	IRON	1	COLOR ZINC PLATING(Cr)
03	PLATE	IRON	1	COLOR ZINC PLATING(Cr)
02	MAGNET	Y30 Ferrite	1	NA
01	FRAME	IRON	1	COLOR ZINC PLATING(Cr ³⁺)
NO.	COMPONENT	MATERIAL	QTY	FINISH

PROJECTION



Research Develop Innovate

RDI, Inc. 400 Columbus Avenue Valhalla, NY 10595

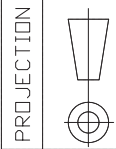

SCALE	NONE	TITLE	SPEAKER ASSEMBLY	
TOLERANCE	EXCEPT AS NOTED	DR	RDIC	DATE
DEC. INCHES	N/A	CK	JOEY	SP
DEC. MILLIMETERS	±0.3	DRAWING NO.	1637	SIZE
ANG.	N/A	REV.	1	DF
				SHEET

10-296	11/15/10	E	REVISE DRAWING TO REFLECT EQUIVILANT CONNECTOR,	CP	AL
10-234	09/28/10	D	EQUIVILANT CONNECTOR INSTEAD OF MOLEX CONNECTORS	VF	AL
08-264	07/16/08	C	CHANGED THE DRAWING TO NEW PRINT	CP	JY
05-165	4/1/05	B	ADDED BOTTOM VIEW FOR CONN. ORIENTATION	RV	NL
04-541	7/20/04	A	ADDED WIRES & CONNECTOR	BM	SL
ECN#	DATE	SYM	REVISION RECORD	AUTH	BY

THIS DOCUMENT IS OWNED BY, AND THE INFORMATION CONTAINED IN IT IS PROPRIETARY TO, RDI. BY RECEIPT OF THIS DOCUMENT, THE HOLDER AGREES NOT TO USE THE INFORMATION AND TO DISSEMINATE THE INFORMATION TO ANY OTHER PARTY, NOR REPRODUCE THIS DOCUMENT WITHOUT THE WRITTEN CONSENT OF RDI. AND AGREES TO RETURN THIS DOCUMENT FORTHWITH UPON REQUEST.

NO.	ITEM	SPEC	TEST CONDITION
01	NOMINAL IMPEDANCE	8±1.2 OHM	AT 1 KHz 1.0V
02	RESONANCE FREQUENCY	450±90 Hz	WITHOUT BAFFLE 1.0 V
03	OUTPUT S.P.L	92±3dB 0.5M/1W	AT 800.1000.1200.1500 Hz
04	RATED INPUT POWER	0.5W	
05	MAX. INPUT POWER	1.0W	
06	FREQUENCY RESPONSE	F0~20 KHz	OUTPUT S.P.L -10dB
07	BUZZES & RATTLES	SHOULD NOT BE AUDIBLE BUZZ AND RATTLE	AT 2V SINE WAVE BETWEEN 450~3KHz
08	DISTORTION	5%MAX	RATED POWER INPUT AT 1000 Hz
09	POLARITY	WHEN A POSITIVE D.C CURRENT IS APPLIED TO THE VOICE COIL TERMINAL MARKED +, THE DIAPHRAGM SHALL MOVE FORWARD	
10	FLUX DENSITY	GAUSS	
11	MAGNET	N&FeB SIZE: WEIGHT:g (OZ)	
12	WEIGHT	g (OZ)	
13	HIGH TEMPERATURE TEST	AFTER HAVING BEEN IN A TEST CHAMBER FOR 96 HOURS AT THE CONDITION OF +70°C 20~25% R.H AND THEN LEFT 2 HOURS IN A ROOM. SHOULD SATISFY THE DESCRIBED UNDER ITEMS 02 AND 07	
14	LOW TEMPERATURE TEST	AFTER HAVING BEEN IN A TEST CHAMBER FOR 96 HOURS AT THE CONDITION OF -30°C±3°C AND THEN LEFT 2 HOURS IN A ROOM. SHOULD SATISFY THE DESCRIBED UNDER ITEMS 02 AND 07	
15	HUMIDITY TEST	AFTER HAVING BEEN IN A TEST CHAMBER FOR 96 HOURS AT THE CONDITION OF +40°C±2°C 90~95% R.H AND THEN LEFT 4 HOURS IN A ROOM. SHOULD SATISFY THE DESCRIBED UNDER ITEMS 02 AND 07	
16	LOAD TEST	AT 0.5W WHITE NOISE IS APPLIED FOR 96HOURS AND THEN SHOULD SATISFY THE TEST DESCRIBED UNDER ITEMS 02 AND 07	
17	DROP TEST	DROP THE SPEAKERS CONTAINED IN NORMAL BOX ONTO A BOARD 5mmTHICK 2 TIMES FROM A HEIGHT OF 1.0m AND THEN SHOULD SATISFY THE TEST DESCRIBED UNDER ITEMS 01 AND 07	
18	OPERATING TEMPERATURE	-25°Cto +60°C	
19	STORAGE TEMPERATURE	-30°Cto +60°C	
20	OTHER		

NOTE: ALL DIMS ARE IN mm

				Research Develop Innovate RDI, Inc. 400 Columbus Avenue Valhalla, NY 10595	
SCALE	N/A	TITLE	SPEAKER ASSEMBLY		
TOLERANCE EXCEPT AS NOTED	DR	DATE	REV.	SHEET	
DEC. INCHES	RDIC	12/15/03	P/N: RFR-576-Ti-1-8-ASSY	2	OF 2
DEC. MILLIMETERS	CP	JOEY	DRAWING NO.	SIZE	REV.
±0.2	N/A	SP	1637	F	E
ANG.	N/A	THIS DOCUMENT IS OWNED BY, AND THE INFORMATION CONTAINED IN IT IS PROPRIETARY TO, RDI. BY RECEIPT HEREOF THE HOLDER AGREES NOT TO USE THE INFORMATION AND TO ASSURE THAT THE INFORMATION IS NOT REPRODUCED OR TRANSMITTED IN ANY FORM OR BY ANY MEANS, WITHOUT THE WRITTEN CONSENT OF RDI. AND AGREES TO RETURN THIS DOCUMENT FORTHWITH UPON REQUEST.			
ECN#	DATE	SYM	REVISION RECORD		
10-296	11/15/10	E	REVISE DRAWING TO REFLECT EQUIVILANT CONNECTOR,	CP	AL
10-234	09/28/10	D	EQUIVILANT CONNECTOR INSTEAD OF MOLEX CONNECTORS	VF	AL
08-264	07/16/08	C	CHANGED THE DRAWING TO NEW PRINT	CP	JY
05-165	4/1/05	B	ADDED BOTTOM VIEW FOR CONN. ORIENTATION	RV	NL
04-541	7/20/04	A	ADDED WIRES & CONNECTOR	BM	SL