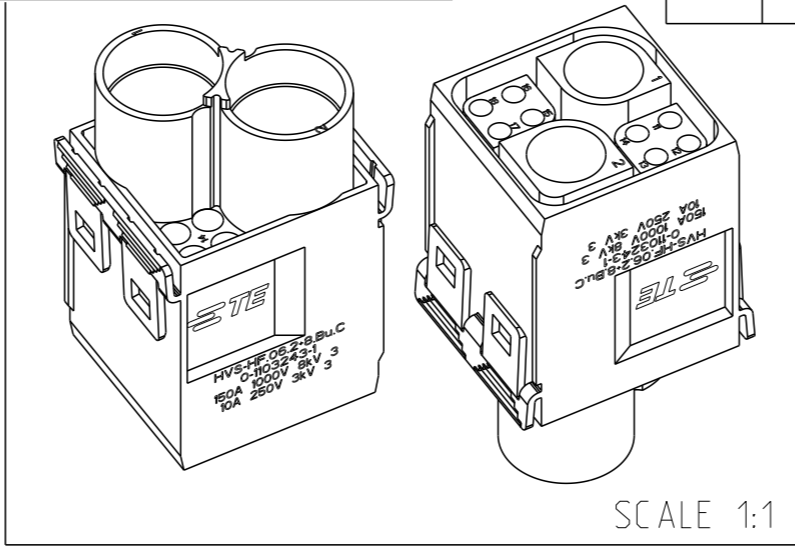
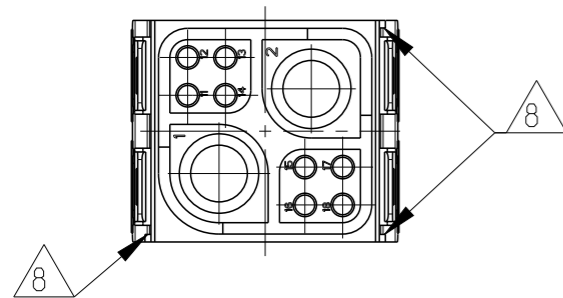


P	LTR	DESCRIPTION	DATE	DWN	APVD
	D	ECR-15-007353	01JUN2015	GSK	JB

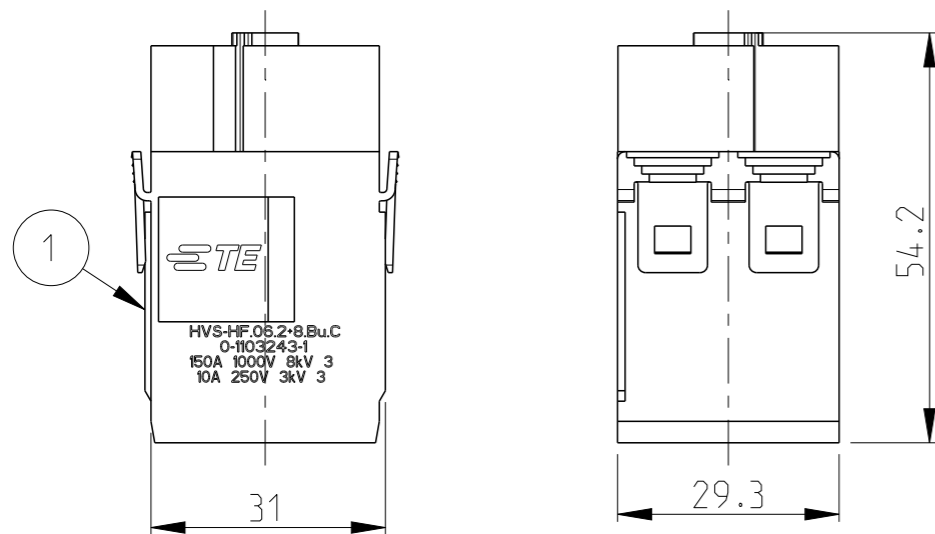
NOTES

- 1 SUITABLE CRIMP CONTACTS: SERIES HN.D
CUSTOMER DRAWING: 1105051
OUTER DIMENSIONS OF INSULATION: MAX. Ø4mm
- 2 SUITABLE CONTACTS: SERIES HF.06
CUSTOMER DRAWING: 1110949
OUTER DIMENSIONS OF INSULATION: MAX. Ø15mm
- 3 SUITABLE CRIMP BARRELS: SERIES HF.06/08
CUSTOMER DRAWING: 1108807
- 4 SUITABLE MODULE FIXING FRAME: SERIES HVS SIZE 3 TO 8
CUSTOMER DRAWING: 1103250
- 5 SUITABLE INSERTION TOOL:
CUSTOMER DRAWING: 1102855
- 6 SUITABLE EXTRACTION TOOL:
CUSTOMER DRAWING: 1102855
- 7 STANDARDS:
DIN EN 61984; DIN EN 60664-1
- 8 POLARIZATION RIBS
- 9 MARKING OF POLARIZATION ACCORDING TO MARKING OF
MODULE FRAME
- 10 PACKAGING:
10 PIECES IN A CARTON

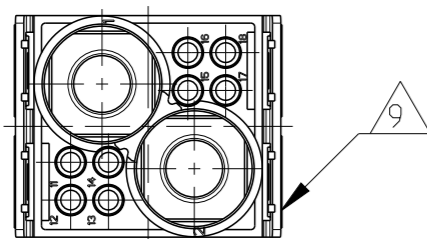
CONTACT ARRANGEMENT VIEW FROM CONNECTING SIDE



SCALE 1:1



CONTACT ARRANGEMENT VIEW FROM TERMINATION SIDE



PN 0-1 AS SHOWN

QTY	DESCRIPTION	MATERIAL	COLOR	NOTE	ITEM NO
1	FEMALE INSERT	PBT-GF10	LIGHT GREY	HVS-HF.06.Bu	1
HVS-HF.06.2+8.Bu.C					

THIS DRAWING IS A CONTROLLED DOCUMENT.		DWN	14.02.2006		 TE Connectivity
		CHK	14.02.2006		
		APVD	14.02.2006		
		T.SCHNURPFIL			
DIMENSIONS: mm		TOLERANCES UNLESS OTHERWISE SPECIFIED:		NAME	
		0 PLC ± 1 PLC ± 2 PLC ± 3 PLC ± 4 PLC ± ANGLES ±		FEMALE INSERT HVS-HF.06.2+8.BU.C	
MATERIAL		FINISH		PRODUCT SPEC	
11		12		108-74024	
				APPLICATION SPEC	
				-	
				WEIGHT	
				-	
				RESTRICTED TO	
				-	
				SIZE CAGE CODE DRAWING NO	
				A3 00779 C=1103243	
				SCALE SHEET OF REV	
				5:1 1 OF 1 D	