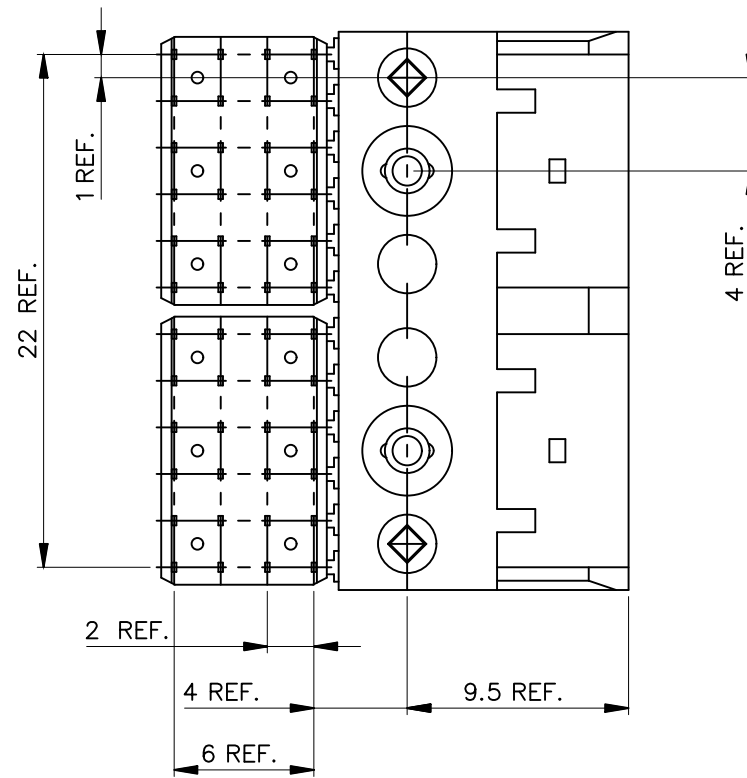
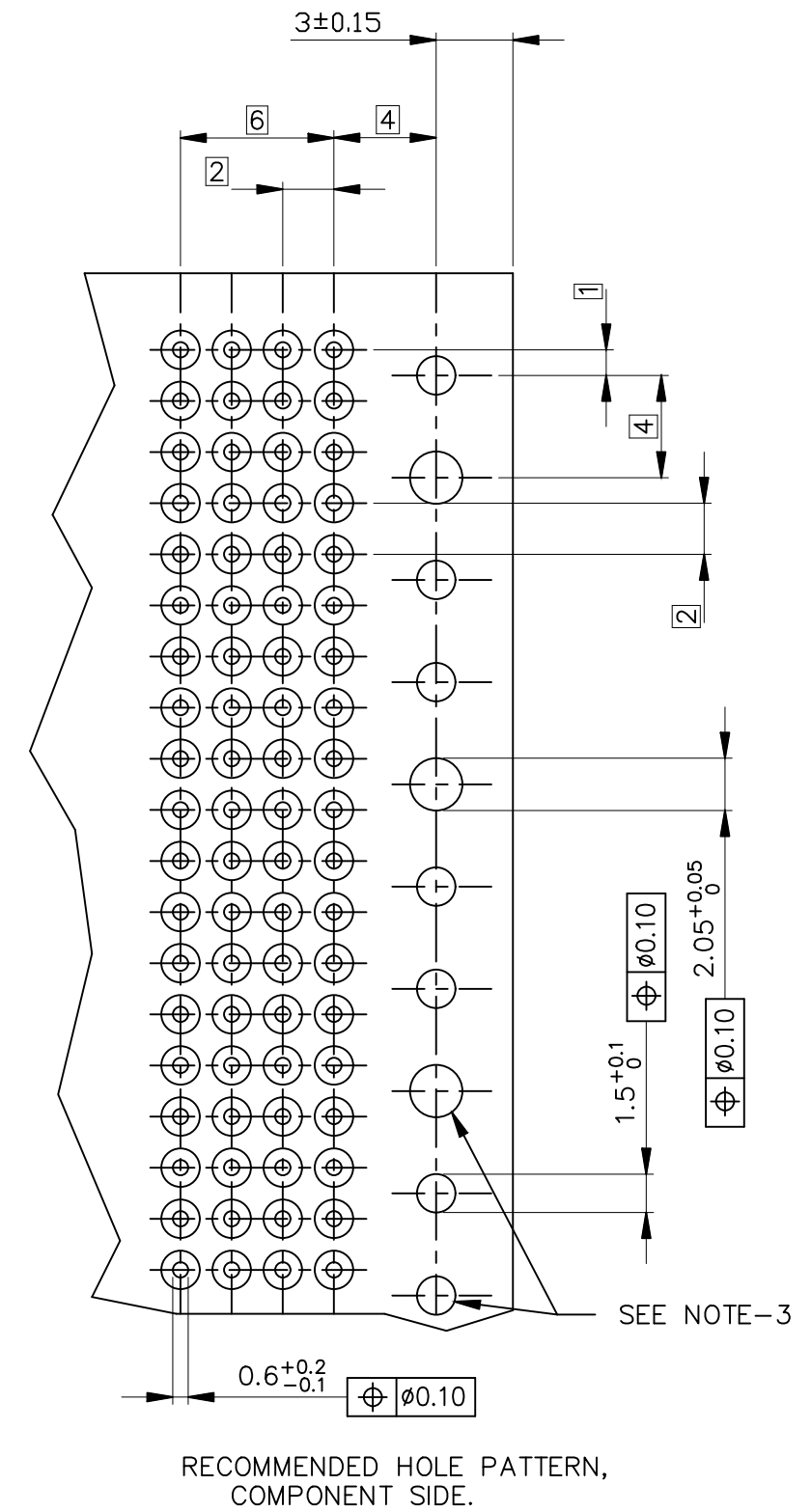
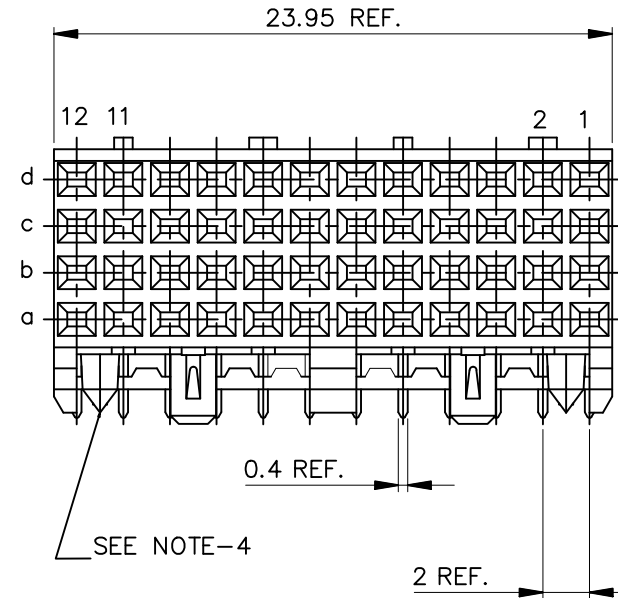
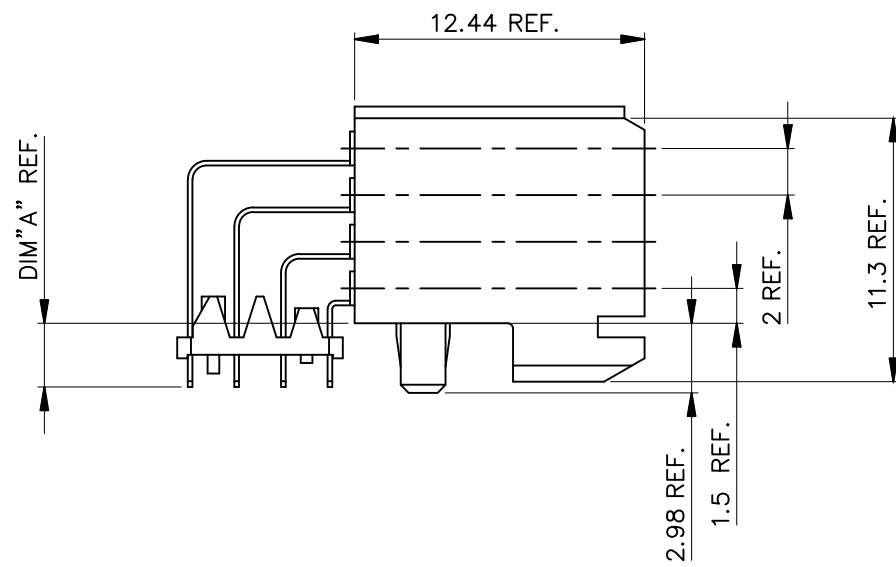
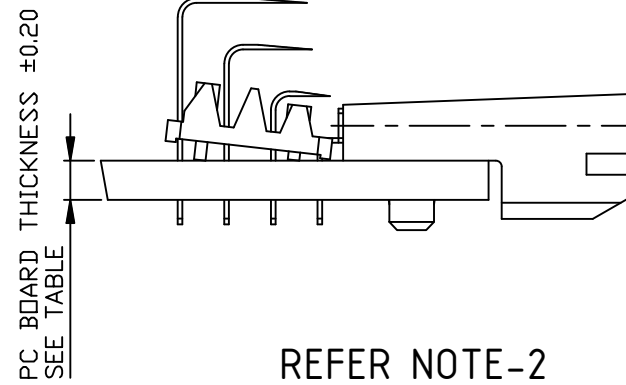


PC BOARD VERSIONS

PRODUCTNR:	PCB THICKNESS	DIM "A"
89036-X01LF	1.6	2.90
89036-X11LF	2.4	3.53



PRODUCT AFTER PC BOARD APPLICATION.



89036-XY1LF

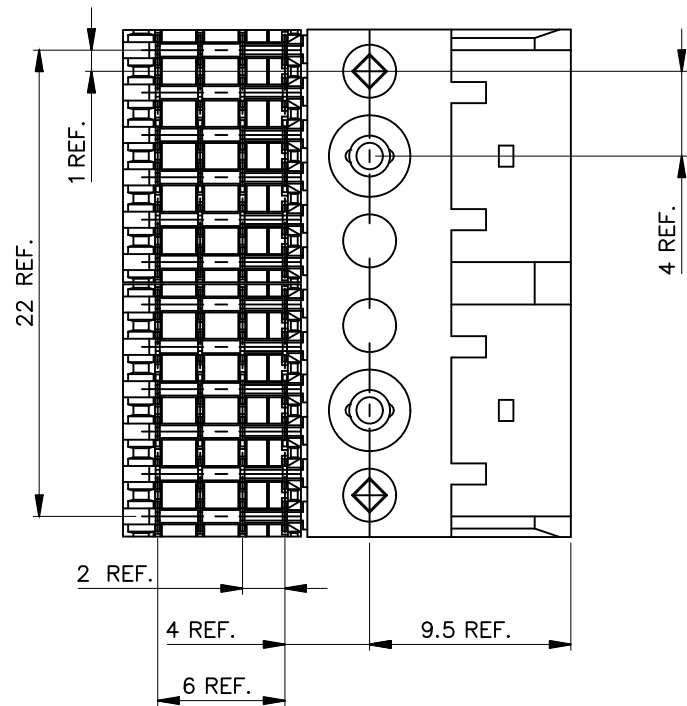
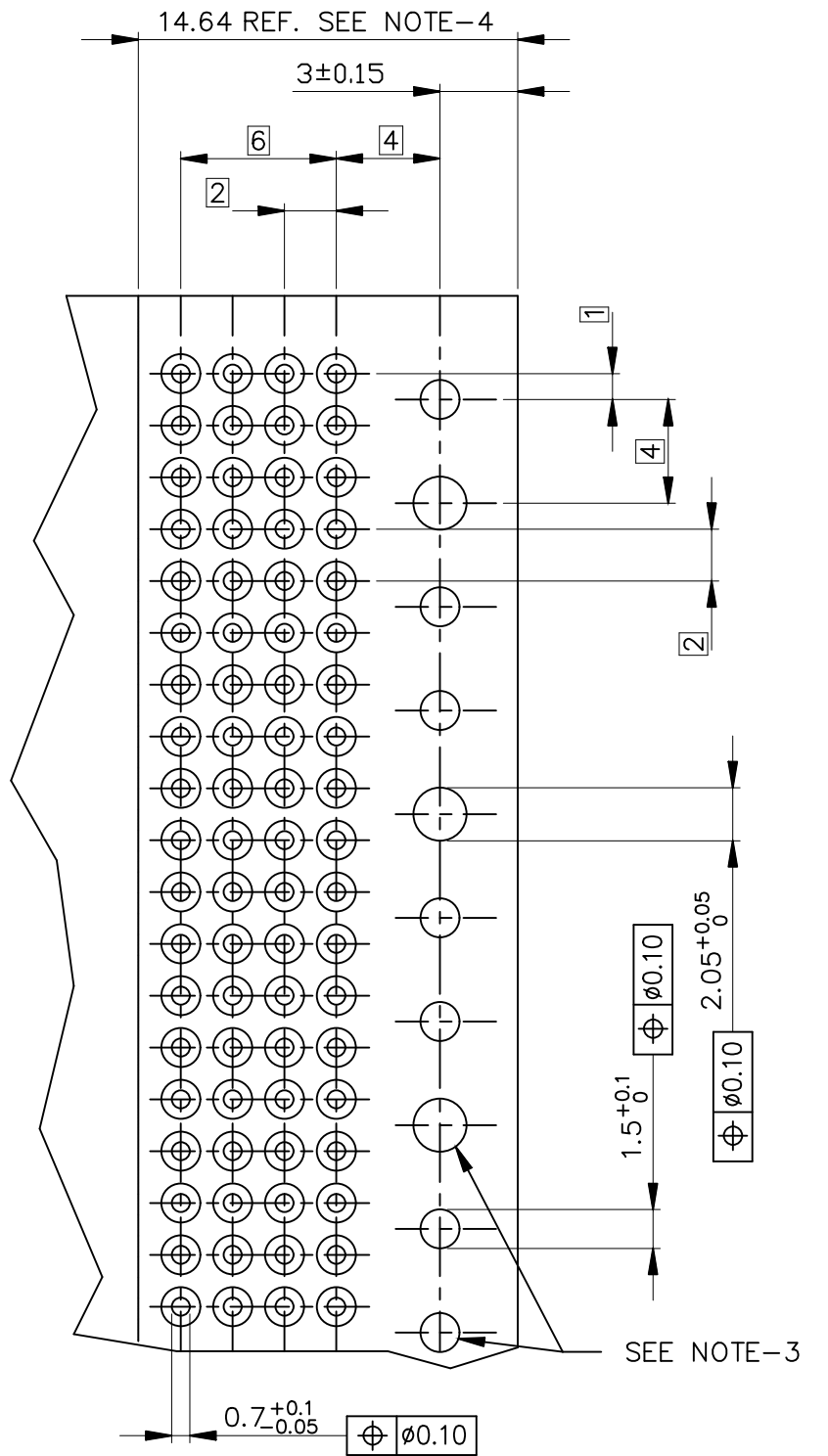
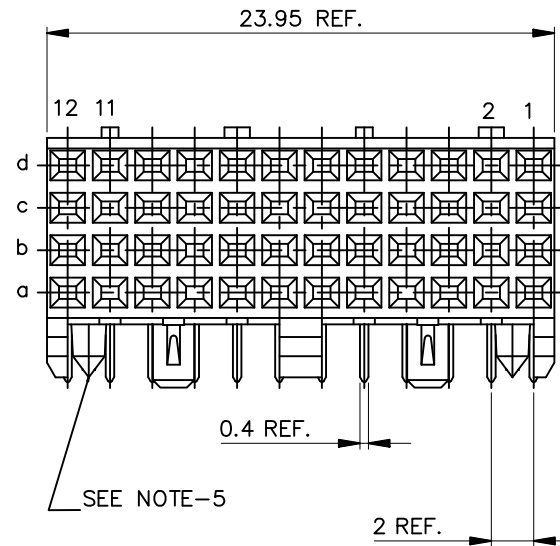
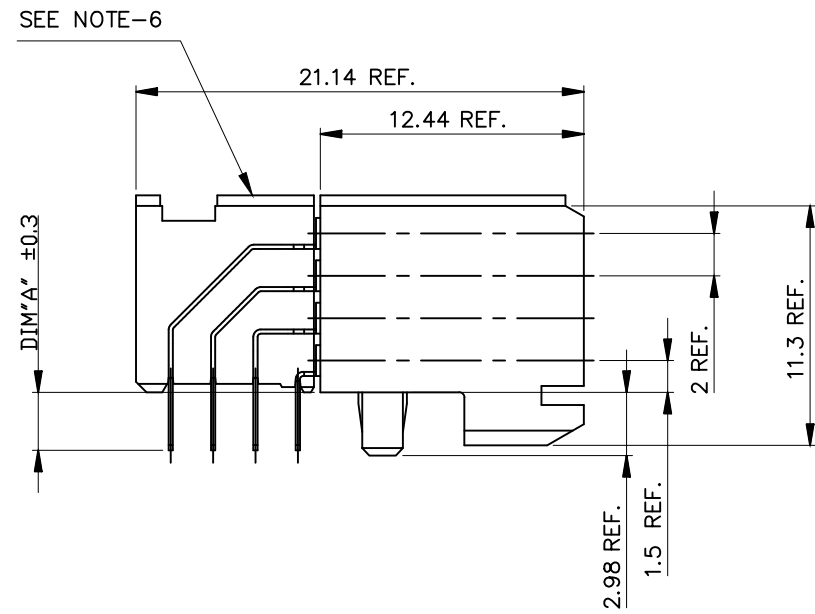
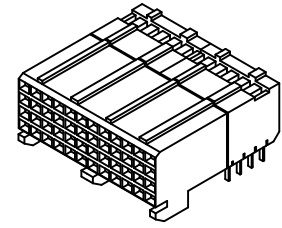
NOTES:

- MATERIAL : BODY : LCP UL94-V0
: CONTACT : COPPER ALLOY.
- FOR PLATING PERFORMANCE REFER DRAWING # 101594.08
- INDICATED HOLES ARE UNPLATED.
- DIAMOND LOCATION PEG ARE ONLY EXISTED ON THE BOTH SIDES OF PRODUCT.
- THIS PRODUCT MEETS EUROPEAN UNION DIRECTIVES AND OTHER COUNTRY REGULATIONS AS DESCRIBED IN GS-47- 0004.
- THE HOUSING WILL WITHSTAND EXPOSURE TO 260° PEAK TEMPERATURE FOR 10 SECONDS IN A WAVE SOLDER APPLICATION.
- A SYMBOL WILL BE NEXT TO ANY DIMENSION, VIEW, OR NOTE WHICH HAS BEEN MODIFIED WITH THE CURRENT DRAWING REVISION.

mat'l. code				surface	tolerance	projection	product family		
				ISO 1302	ISO 406	ISO 1101	METRAL		
ltr	ecn no	dr	date	tolerances unless otherwise specified			title		
M	DG08-0171	TER	2008-08-26	angles	linear	.X±0.3	RA FEMALE SIGNAL		
N	DG09-0068	CENH	2009-06-06	0°±2°		.XX±0.13	24 mm PRES PEG		
P	ELX-I-38913	MINI	2020-10-23			.XXX±0.050	scale -		
				dr	H. BOUWKENG	1993-02-02	dwg no		
				enr	ARUN	2020-10-23	sheet 1 of 3		
				chr	ALEX BABU	2020-10-23	size		
				appd	SANOJ	2020-10-23	A3		
sheet index		revision	P	P	P	type			
1		sheet	1	2	3	Product Customer Drawing			

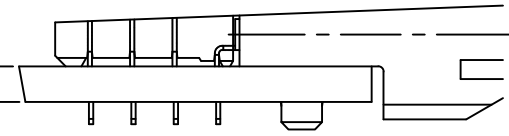
PC BOARD VERSIONS

PRODUCTNR:	PCB THICKNESS	DIM "A"
89036-X02LF	1.6	2.90
89036-X12LF	2.4	3.53



PC BOARD THICKNESS ±0.20
SEE TABLE

PRODUCT AFTER PC BOARD APPLICATION.



REFER NOTE-2

89036-XYLFF

RECOMMENDED HOLE PATTERN,
COMPONENT SIDE.

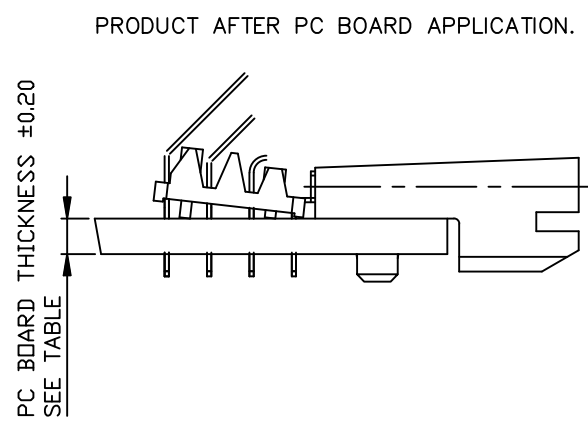
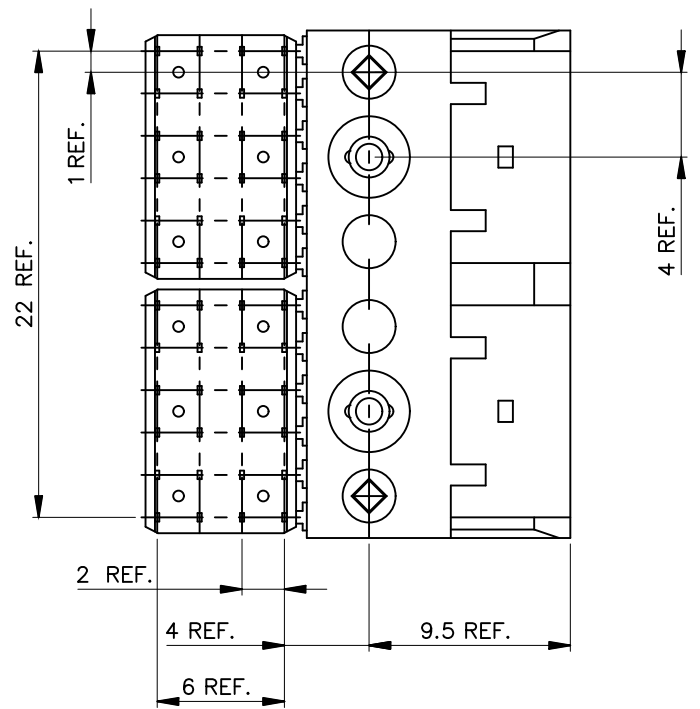
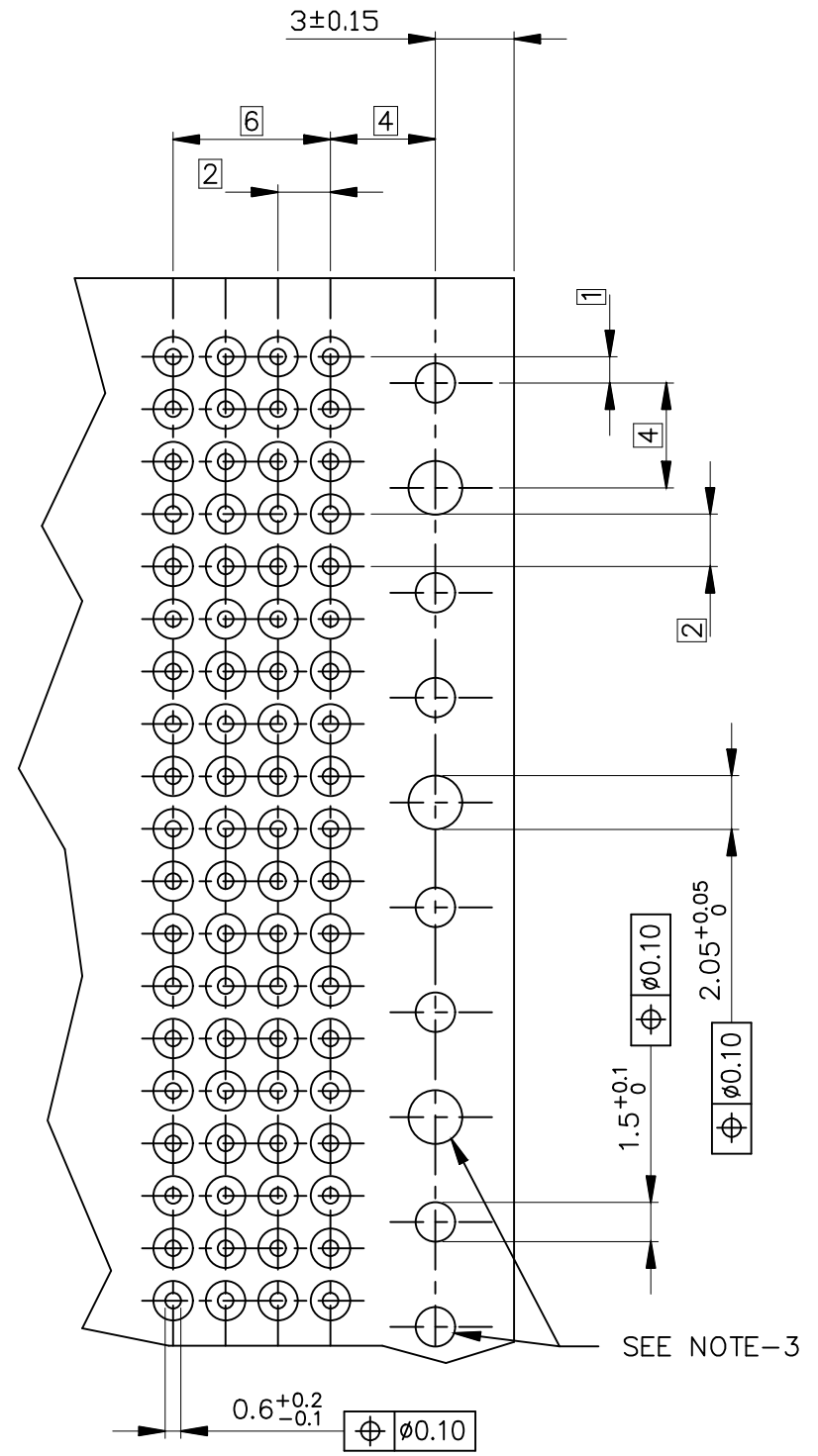
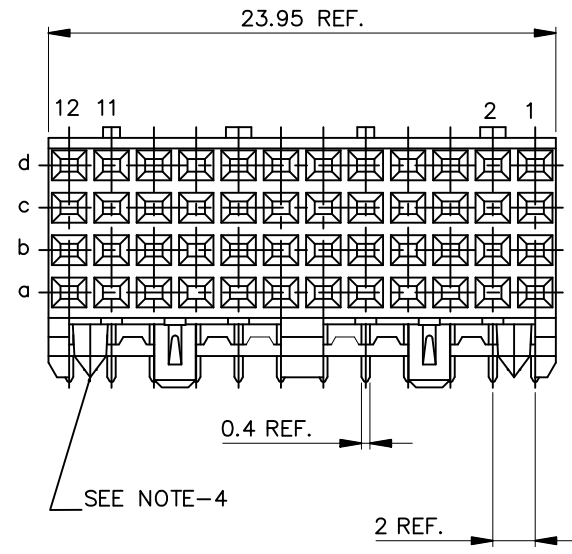
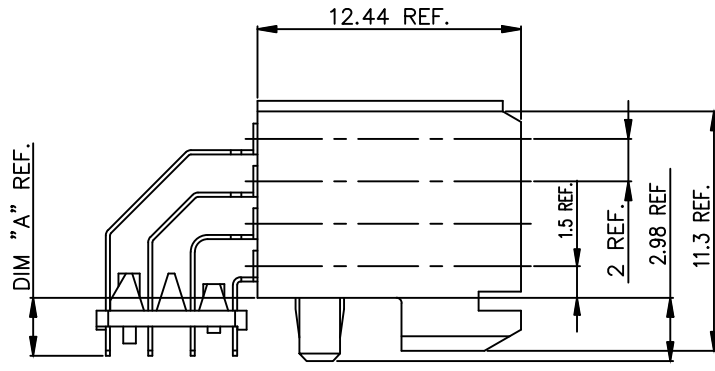
NOTES:

- MATERIAL : BODY : LCP UL94-V0 ; CONTACT : COPPER ALLOY.
- FOR PLATING PERFORMANCE REFER DRAWING # 101594.08 Δ
- INDICATED HOLES ARE UNPLATED.
- SET BACK FOR PRESS BLOCK.
- DIAMOND LOCATION PEG ARE ONLY EXISTED ON THE BOTH SIDES OF PRODUCT.
- TOP SURFACE OF PRESS BLOCK MAY EXTEND UP TO 0.4MM HIGHER THAN HOUSING. THIS MAY AFFECT THE TAIL LENGTH BEFORE APPLICATION TO A BOARD
- THIS PRODUCT MEETS EUROPEAN UNION DIRECTIVES AND OTHER COUNTRY REGULATIONS AS DESCRIBED IN GS-47- 0004.
- THE HOUSING WILL WITHSTAND EXPOSURE TO 260° PEAK TEMPERATURE FOR 10 SECONDS IN A WAVE SOLDER APPLICATION.
- A Δ SYMBOL WILL BE NEXT TO ANY DIMENSION, VIEW, OR NOTE WHICH HAS BEEN MODIFIED WITH THE CURRENT DRAWING REVISION.

mat'l. code				surface	tolerance	projection	product family		
				ISO 1302	ISO 406	ISO 1101	METRAL		
ltr	ecn no	dr	date	tolerances unless otherwise specified			title		
M	DG08-0171	TER	2008-08-26	angles	.X±0.3	mm	RA FEMALE SIGNAL 24 mm PRES PEG		
N	DG09-0068	CENH	2009-06-06	linear	.XX±0.13				
P	ELX-I-38913	MINI	2020-10-23	0°±2°	.XXX±0.050	scale	-		
				dr	H. BOUWKENG	1993-02-02	dwg no		
				enr	ARUN	2020-10-23	sheet 2 of 3		
				chr	ALEX BABU	2020-10-23	size		
				appd	SANOJ	2020-10-23	A3		
sheet index		revision	P	P	P	type			
		sheet	1	2	3	Product Customer Drawing			

PC BOARD VERSIONS

PRODUCTNR:	PCB THICKNESS	DIM "A"
89036-X03LF	1.6	2.90
89036-X13LF	2.4	3.53



REFER NOTE-2
89036-XYLFF

NOTES:

- MATERIAL : BODY : LCP UL94-V0
: CONTACT : COPPER ALLOY.
- FOR PLATING PERFORMANCE REFER DRAWING # 10159408 \triangle
- INDICATED HOLES ARE UNPLATED.
- DIAMOND LOCATION PEG ARE ONLY EXISTED ON THE BOTH SIDES OF PRODUCT.
- THIS PRODUCT MEETS EUROPEAN UNION DIRECTIVES AND OTHER COUNTRY REGULATIONS AS DESCRIBED IN GS-47- 0004.
- THE HOUSING WILL WITHSTAND EXPOSURE TO 260° PEAK TEMPERATURE FOR 10 SECONDS IN A WAVE SOLDER APPLICATION.
- A \triangle SYMBOL WILL BE NEXT TO ANY DIMENSION, VIEW, OR NOTE WHICH HAS BEEN MODIFIED WITH THE CURRENT DRAWING REVISION.

mat'l. code				surface	tolerance	projection	product family		
				ISO 1302	ISO 406	ISO 1101	METRAL		
ltr	ecn no	dr	date	tolerances unless otherwise specified			title		
M	DG08-0171	TER	2008-08-26	angles	.X±0.3	mm	RA FEMALE SIGNAL		
N	DG09-0068	CENH	2009-06-06	linear	.XX±0.13		24 mm PRES PEG		
P	ELX-I-38913	MINI	2020-10-23	0°±2°	.XXX±0.050	scale			
				dr	H. BOUWKENG	1993-02-02	dwg no		
				enr	ARUN	2020-10-23	sheet 3 of 3		
				chr	ALEX BABU	2020-10-23	size		
				appd	SANOJ	2020-10-23	A3		
				Amphenol FCI			type		
							Product Customer Drawing		
sheet index	revision sheet	P	P	P					
		1	2	3					

Amphenol FCI

© 2016 AFCI