

# Customer Information Sheet

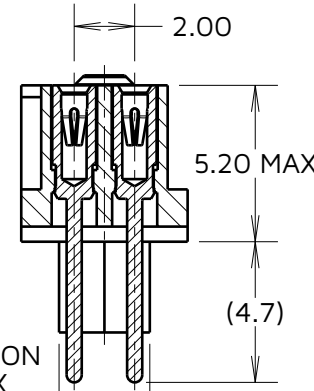
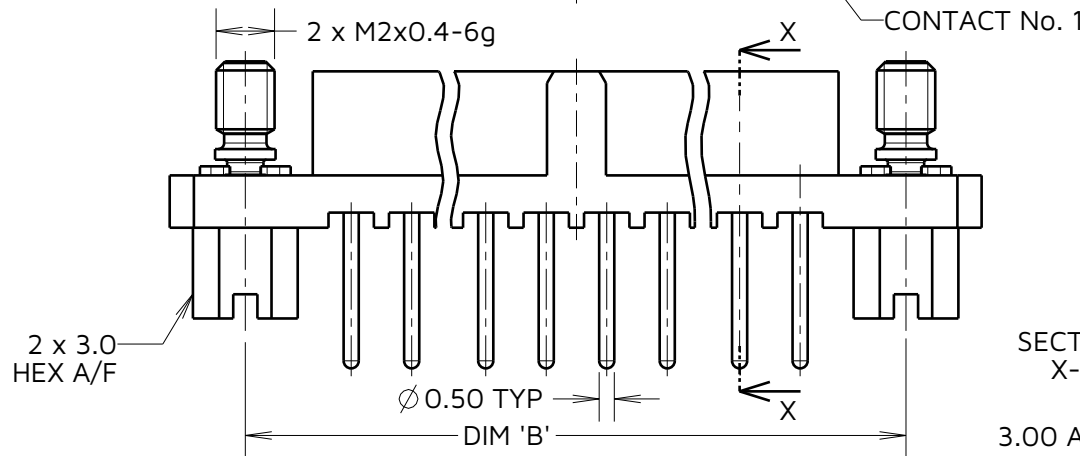
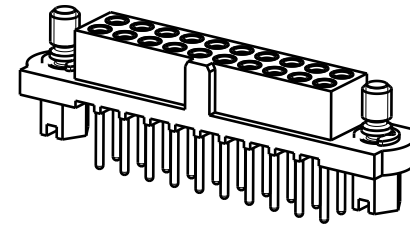
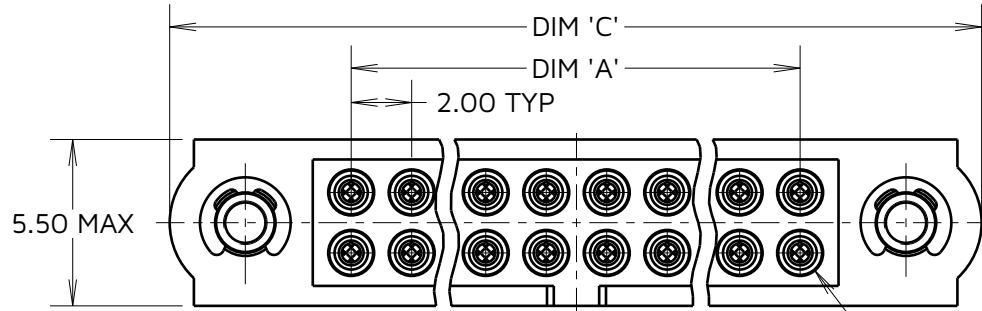
IF IN DOUBT - ASK

©

NOT TO SCALE

THIRD ANGLE PROJECTION

ALL DIMENSIONS IN mm



**SPECIFICATIONS:**

**MATERIAL:**

MOULDING = GLASS-FILLED PPS, UL94V-0, BLACK  
CONTACT CLIP = BERYLLIUM COPPER  
CONTACT SHELL = BRASS

JACKSCREW, CIRCLIP = STAINLESS STEEL

**FINISH:**

01 = 0.3µm GOLD CLIP, 3.5-5.0µm TIN/LEAD SHELL

05 = 0.3µm GOLD CLIP, 0.25-0.3µm GOLD SHELL

42 = 0.3µm GOLD CLIP,

3.5-5.0µm 100% TIN OVER NICKEL SHELL

**ELECTRICAL:**

CURRENT RATING AT 25°C = 3.0A MAX

CURRENT RATING AT 85°C = 2.2A MAX

WORKING VOLTAGE = 800V AC/DC

VOLTAGE PROOF = 1200V AC/DC

CONTACT RESISTANCE = 25 mΩ MAX

INSULATION RESISTANCE = 100 MΩ MIN

**MECHANICAL:**

DURABILITY = 500 OPERATIONS

INSERTION FORCE (∅0.5mm GAUGE) = 2.0N MAX

WITHDRAWAL FORCE (∅0.5mm GAUGE) = 0.2N MIN

**ENVIRONMENTAL:**

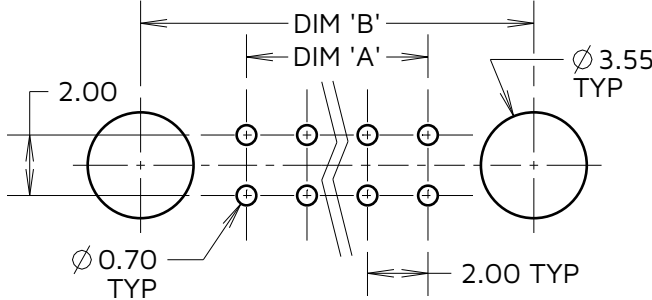
TEMPERATURE RANGE = -55°C TO +125°C

**PACKING:**

TUBE

FOR COMPLETE SPECIFICATION, SEE  
COMPONENT SPECIFICATION C005XX  
(LATEST ISSUE)

**RECOMMENDED PCB LAYOUT  
(ALL TOLERANCES ±0.05mm)**



PART No.	No. OF CONTACTS	DIM 'A'	DIM 'B'	DIM 'C'
M80-40106XX	6	4.00	11.00	16.00
M80-40110XX	10	8.00	15.00	20.00
M80-40114XX	14	12.00	19.00	24.00
M80-40120XX	20	18.00	25.00	30.00
M80-40126XX	26	24.00	31.00	36.00
M80-40134XX	34	32.00	39.00	44.00
M80-40142XX	42	40.00	47.00	52.00
M80-40150XX	50	48.00	55.00	60.00

**ORDER CODE:**

**M80-401XXXX**

**TOTAL No. OF CONTACTS**

06, 10, 14, 20,  
26, 34, 42, 50

**FINISH**

01 - GOLD CLIP, TIN/LEAD SHELL

05 - GOLD CLIP, GOLD SHELL

42 - GOLD CLIP, 100% TIN

OVER NICKEL SHELL

RTP	2	19.07.23	32796
NAME	ISS.	DATE	CN/CO
APPROVED: R.PORTLOCK			
CHECKED: M.PLESTED			
DRAWN: W. J. BOURNE			
ASSEMBLY DRG:			
PART WEIGHT:	MAT'L USAGE:		

**HARWIN**

www.harwin.com

**TOLERANCES**

X. = ±1mm  
X.X = ±0.50mm  
X.XX = ±0.20mm  
X.XXX = ±0.01mm

ANGLES = ±5°  
UNLESS STATED

THIS DRAWING AND ANY INFORMATION OR DESCRIPTIVE MATTER SET OUT HEREON ARE CONFIDENTIAL AND COPYRIGHT PROPERTY OF THE HARWIN GROUP AND MUST NOT BE DISCLOSED, LOANED, COPIED OR USED FOR MANUFACTURING, TENDERING OR FOR ANY OTHER PURPOSE WITHOUT THEIR WRITTEN PERMISSION.

**MATERIAL:**

SEE ABOVE

FINISH: SEE ABOVE

S/AREA: mm<sup>2</sup>

**TITLE: JACKSCREW DATAMATE  
DIL VERTICAL PC TAIL (4.5mm)  
FEMALE ASSEMBLY**

DRAWING NUMBER:

**M80-401XXXX**

SHT  
2  
OF 2