

Type PMA-DS-07-SOS
Panel Mount Fuse Holder
1/4" x 1 1/4" (6.3 x 32mm) Fuses
Driver / Screw

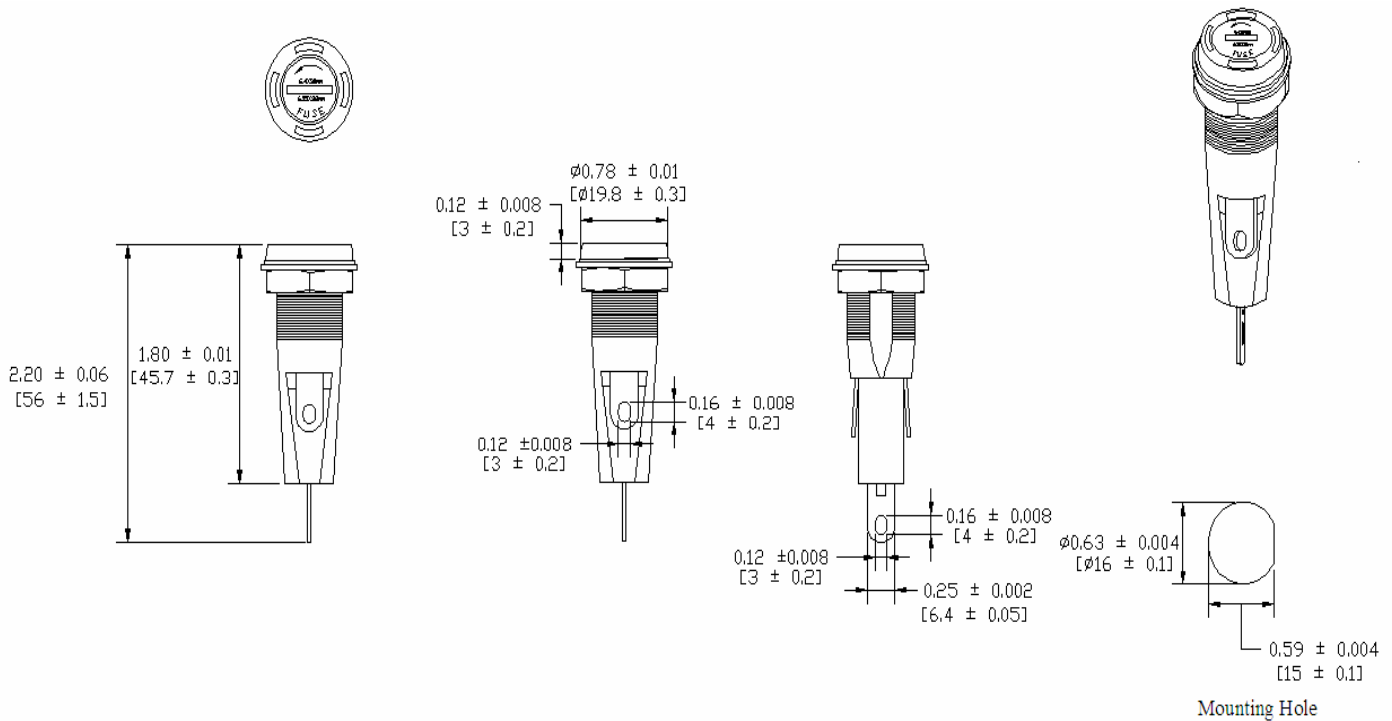



www.optifuse.com (619) 593-5050

Electrical Rating: 20A, 250V AC
Fuse Style: 1/4" x 1 1/4" (6.3 x 33mm)
Material:
Frame and Cap: Nylon (UL flame: 94V-2)
Terminals: Nickel-plated brass
Cap: Slotted Driver type, Screw type
Mounting: by nut and washer
Terminal: Solder 6.4mm / 0.25"
Panel Thickness: 0.5 ~ 7mm
Agency Standards and Listings:



Product Dimensions: Inches [mm]



<p>Warning:</p> 	<ul style="list-style-type: none"> -Operation beyond the specified maximum ratings or improper use may result in damage and possible electrical arcing and/or flame. -Fuse Holders are not intended for circuit disconnect. All power should be disconnected before removing fuse. -Avoid contact of Fuse Holder with chemical solvent. Prolonged contact may damage the device performance.
--	---