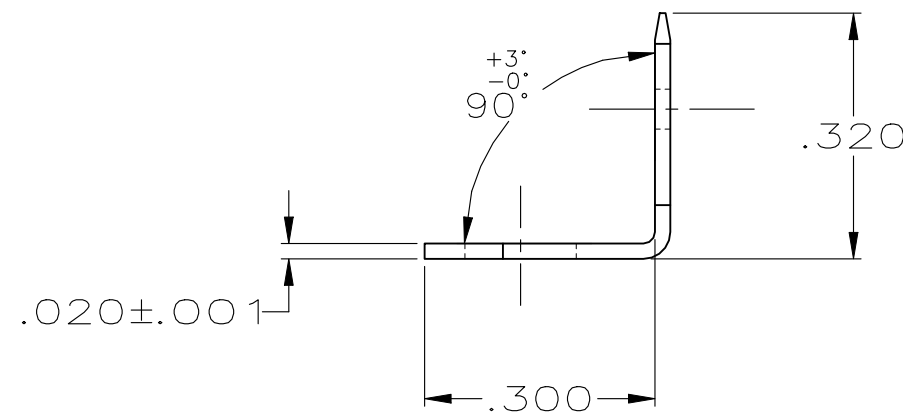
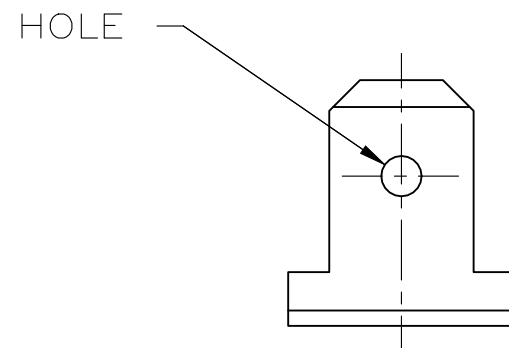
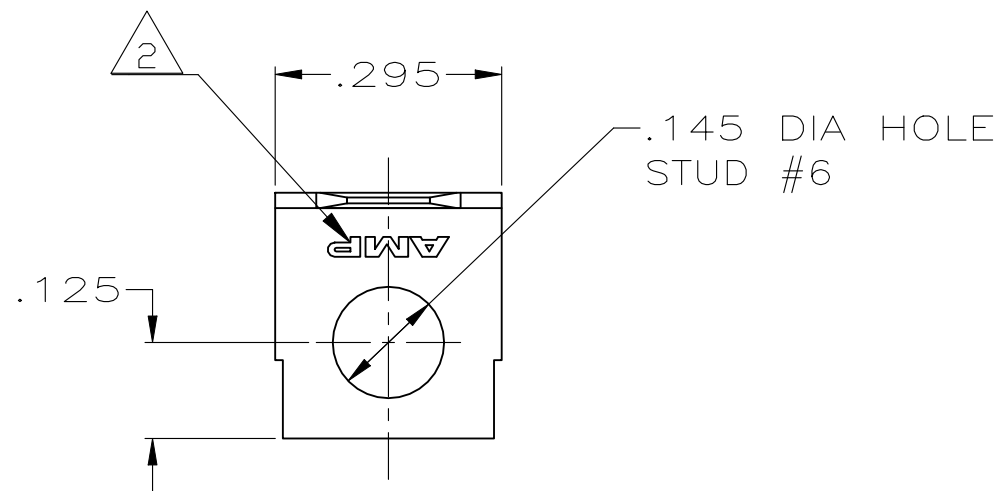


REVISIONS				
P	LTR	DESCRIPTION	DATE	APVD
	P	REVISED PER ECR-23-168972	04APR2023	DB RE


1 SUPPLIED IN LOOSE PIECE.

2 AMP LOGO PLACED APPROXIMATELY AS SHOWN, MIRRORED LOGO ALSO ACCEPTABLE.



61407-3

PART NO.

THIS DRAWING IS A CONTROLLED DOCUMENT.		DWN JR RUTH 3/6/97	 TE Connectivity														
DIMENSIONS: INCHES		CHK MS FEHER 3/6/97															
TOLERANCES UNLESS OTHERWISE SPECIFIED:		APVD P DESANTIS 3/6/97	NAME														
<table border="0"> <tr><td>0 PLC</td><td>± -</td></tr> <tr><td>1 PLC</td><td>± -</td></tr> <tr><td>2 PLC</td><td>± -</td></tr> <tr><td>3 PLC</td><td>± .015</td></tr> <tr><td>4 PLC</td><td>± -</td></tr> <tr><td>ANGLES</td><td>± -</td></tr> </table>		0 PLC	± -	1 PLC	± -	2 PLC	± -	3 PLC	± .015	4 PLC	± -	ANGLES	± -	PRODUCT SPEC	TAB, FASTON, .187 SERIES		
0 PLC	± -																
1 PLC	± -																
2 PLC	± -																
3 PLC	± .015																
4 PLC	± -																
ANGLES	± -																
MATERIAL BRASS		FINISH TIN	APPLICATION SPEC	SIZE A3	CAGE CODE 00779	DRAWING NO C-61407	RESTRICTED TO										
CUSTOMER DRAWING			WEIGHT 0.000000	SCALE 4:1	SHEET 1 OF 1	REV P											