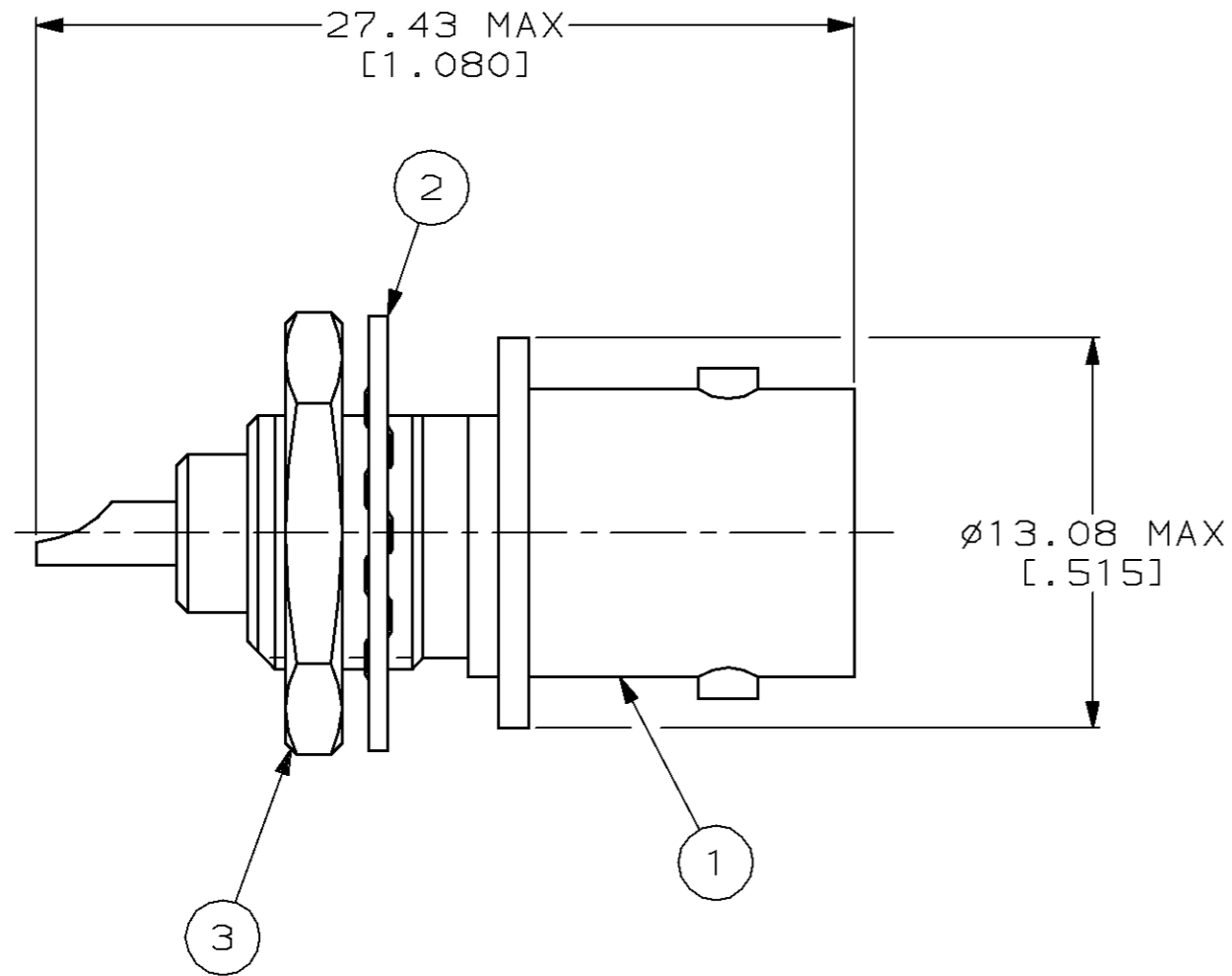
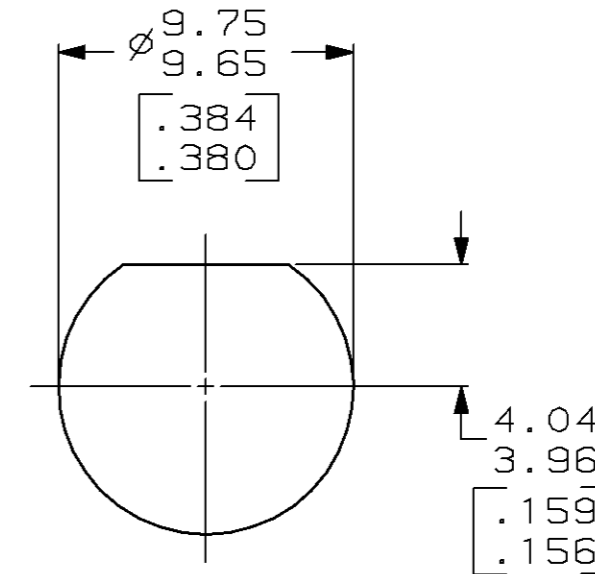


THIS DRAWING IS UNPUBLISHED. RELEASED FOR PUBLICATION, 19 .
 © COPYRIGHT 19 BY AMP INCORPORATED. ALL INTERNATIONAL RIGHTS RESERVED.

| LOC | DIST | P | F | ZONE | LTR | REVISIONS | DATE | APPD |
|-----|------|---|---|------|-----|-------------------------|---------|------|
| AJ | 16 | | | | 0 | RLSE -1 PER 93-3137-016 | 8-21-95 | JL |



1. SEE I.S. 9086



RECOMMENDED PANEL CUTOUT

| | | | |
|--------------------|-----------------------|----------------------|-------------|
| 1-330249-1 | 1-329492-1 | 221245-1 | 415187-1 |
| 3 JAM NUT QTY=1 | 2 LOCKWASHER QTY=1 | 1 JACK ASSY QTY=1 | PART NUMBER |

| | | | |
|--|----------------------------|---|--------------------|
| DO NOT SCALE PRINT. UNLESS SPECIFIED DIMENSIONS IN mm [INCHES] | | PART NO | |
| TOLERANCES ON: 2 PLC DEC ± - 3 PLC DEC ± - ANGLES ± - | | AMP AMP Incorporated Harrisburg, PA 17105-3608 | |
| MATERIAL | DR 8-21-95 J. LIPPERT | NAME SOLDER, JACK 75 OHM, SERIES BNC | |
| FINISH | CHK 8-21-95 J. LIPPERT | SIZE B | CAGE CODE 00779 |
| | APPD 8-21-95 J. LIPPERT | DRAWING NO 415187 | |
| | APPD 8-21-95 J. LIPPERT | SCALE 4:1 | SHEET 1 OF 1 |
| | PRODUCT SPEC 108-12079 | | |
| | APPLICATION SPEC - | | |
| | WEIGHT - | | |