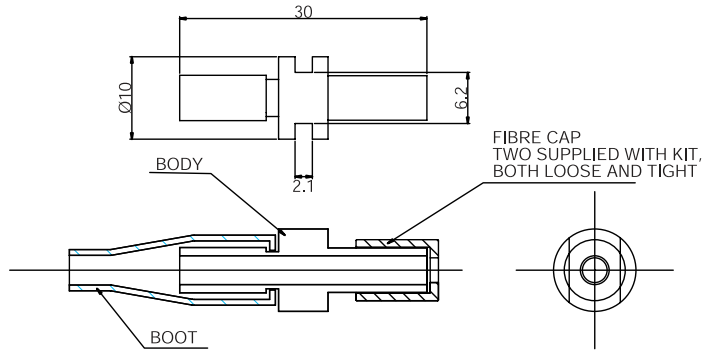
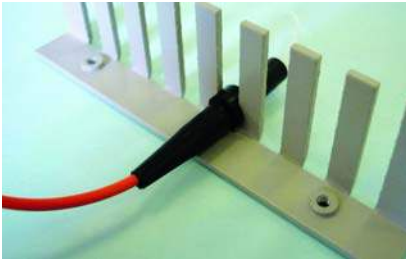


FIBER MANAGEMENT

EFA52 03 ASS

Quick Panel Mount Strain Relief Gland, Slot in Version



A Europlus/Richco Product
Material: Flame Retardant Nylon 6 UL94 V0, RMS-178; Color: Black
Standard Pack: 250 per bag
EFA52 03 ASS
All dimensions in millimeters

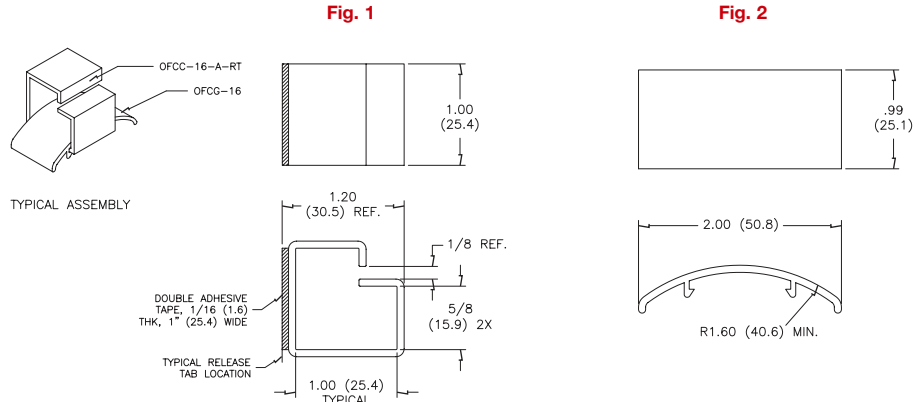
OFCC/OFCG

Optical Fiber Coiling Clip



Features

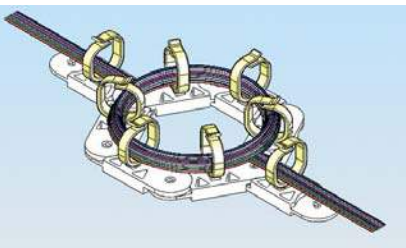
- Two extruded clips snap into each other to form a clip with a smooth, curved surface to accommodate fiber bundles
- Wall thickness: .070 (1.8) typical



Material: Rigid PVC, RMS-04; Adhesive, RMS-15; Color: Black	
Standard Pack: 100 per bag	
Part Number	Figure
OFCC-16-A-RT	1
OFCG-16	2

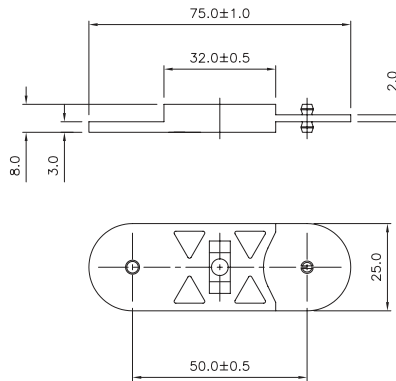
OFCP-50-19

Chain Plate



Features

- Connect multiple OFCP's together to form a "chain" for routing fiber
- Complete the circle for an excess fiber spool to form a "Y" for breakout points
- All connections maintain a bend radius greater than 30mm
- Ø4.75mm center mounting hole to fit any standard Richco routing component



Material: Flame Retardant Nylon 6/6 UL94 V0; RMS-19; Color: White	
Standard Pack: 500 per bag	
OFCP-50-19	
All dimensions in millimeters	