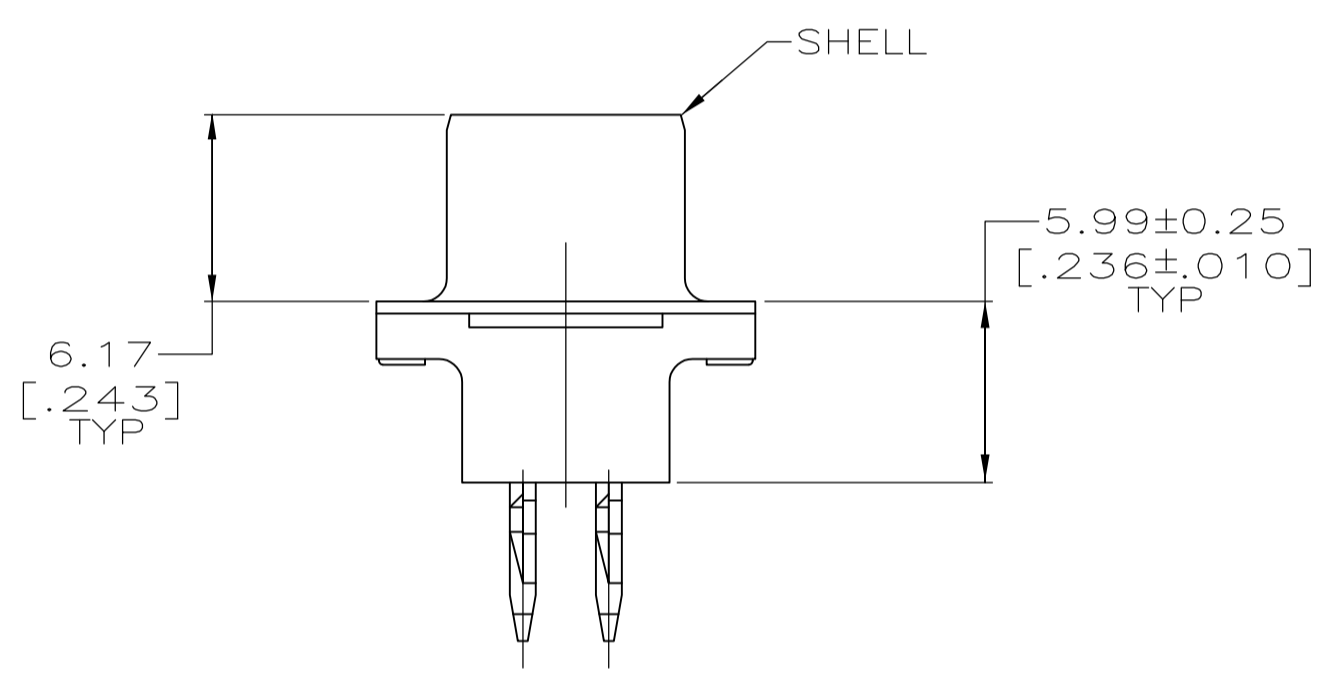
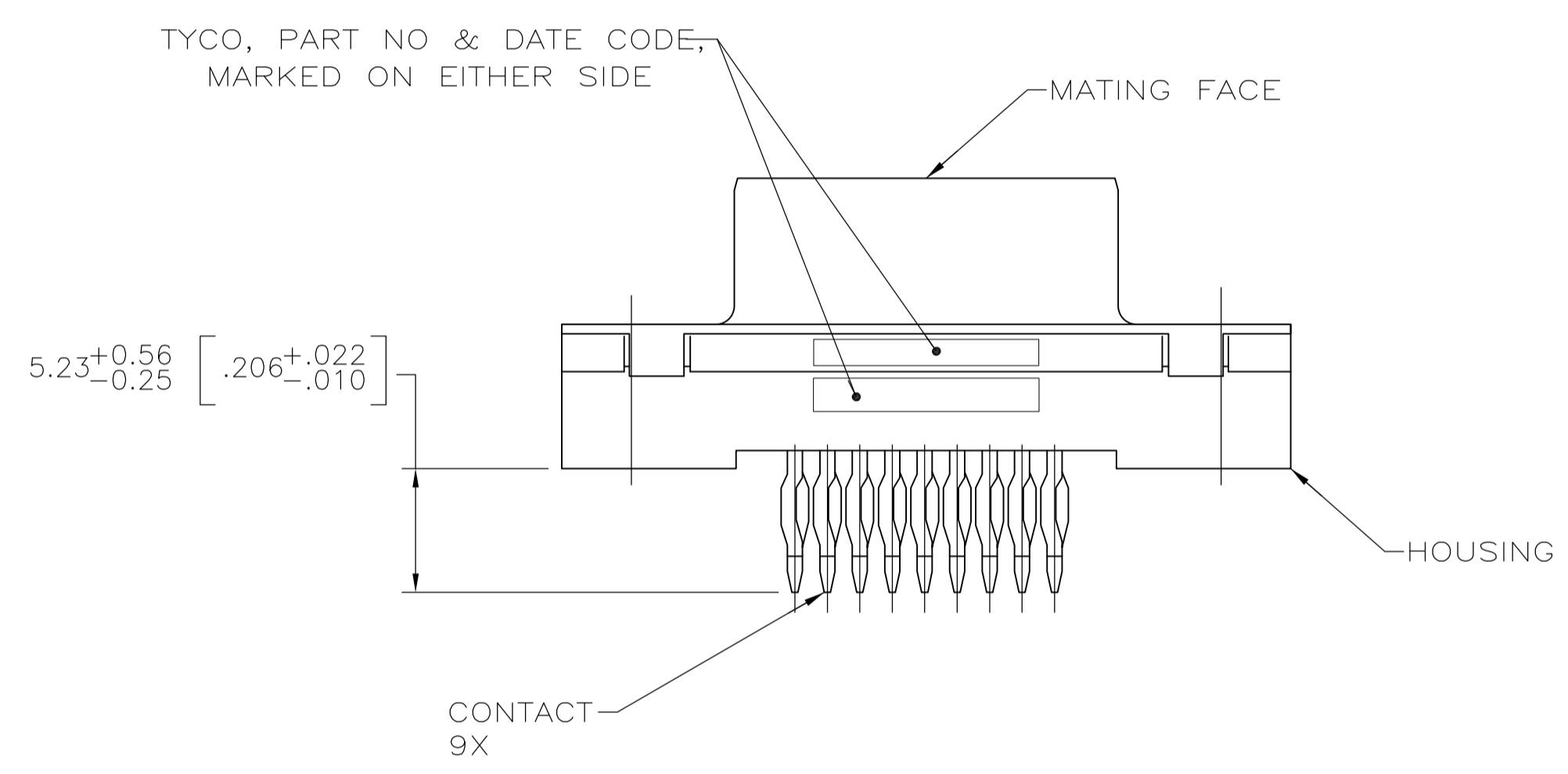
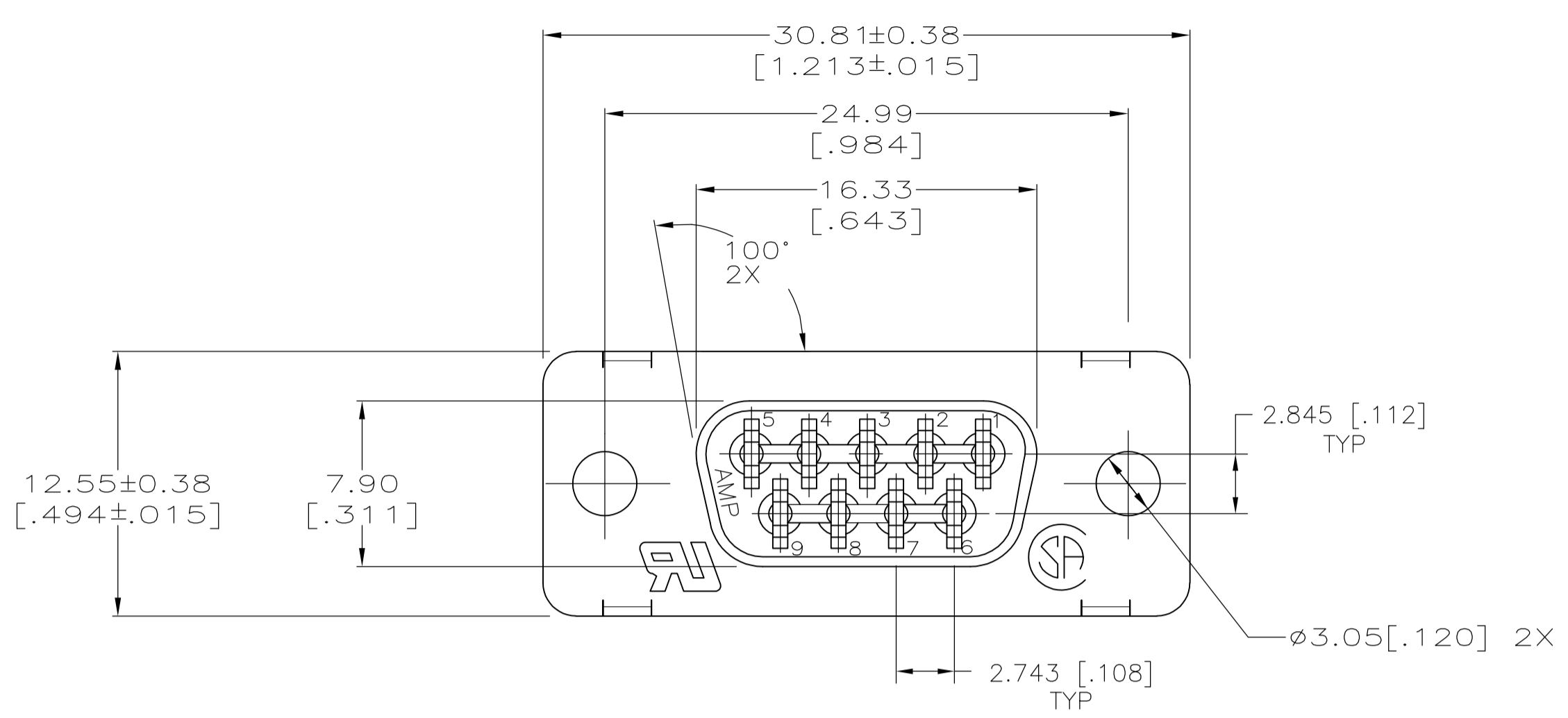


LOC		DIST		REVISIONS			
GP	00	REV	DATE	BY	CHK	APP	REV
C		REVISED PER ECO-12-000090	26JAN2012	CJV	SLB		



- 1 FOR USE WITH 2.36 (.093) MINIMUM THICK PRINTED CIRCUIT BOARD. REFER TO APPLICATION SPECIFICATION FOR PRINTED CIRCUIT BOARD LAYOUT DIMENSIONS AND FINISH RECOMMENDATIONS.
- 2 MATERIAL:
HOUSING: GLASS-FILLED NYLON OR POLYESTER, UL 94V-0 RATED, COLOR: BLACK.
CONTACTS: COPPER ALLOY.
SHELL: CARBON STEEL.
- 3 SHELL: 5.06µm[.000200] MIN TIN OVER 2.54µm[.000100] MIN COPPER.
- 4 DATUMS AND BASIC DIMENSIONS ESTABLISHED BY CUSTOMER.
- 5 CONTACTS:
0.76 MICRO METERS [.000030] MINIMUM GOLD IN MATING AREA.
2.54 MICRO METERS [.000100] MINIMUM TIN ON COMPLIANT PIN.
ALL OVER 1.27 MICRO METERS [.000050] MINIMUM NICKEL
OR
GOLD FLASH OVER PALLADIUM NICKEL,
0.76 MICRO METERS [.000030] MINIMUM TOTAL IN MATING AREA.
2.54 MICRO METERS [.000100] MINIMUM TIN ON COMPLIANT PIN.
ALL OVER 1.27 MICRO METERS [.000050] MINIMUM NICKEL.

5747089-2
PART NUMBER

THIS DRAWING IS A CONTROLLED DOCUMENT. DIMENSIONING AND TOLERANCING PER ASME Y14.5M-2009		DWG: G. PETERS/DTI CHK: S. BOLASH	DATE: 01/26/2012	REV: 00
DIMENSIONS: INCHES		TOLERANCES UNLESS OTHERWISE SPECIFIED:	APPROVED: M. WALMSLEY	NAME: RECEPTACLE ASSEMBLY, ACTION-PIN, 9 POSITION, HD-20, AMPLIMITE
0 PLC ± -		1 PLC ± -	PRODUCT SPEC: 108-40014	SIZE: A1
2 PLC ± 0.13 [.005]		3 PLC ± -	APPLICATION SPEC: 114-40026	SCALE: 4:1
4 PLC ± -		ANGLES ± -	WEIGHT: -	SHEET: 1 OF 1
MATERIAL: 2		FINISH: 3, 5	CUSTOMER DRAWING	REV: C