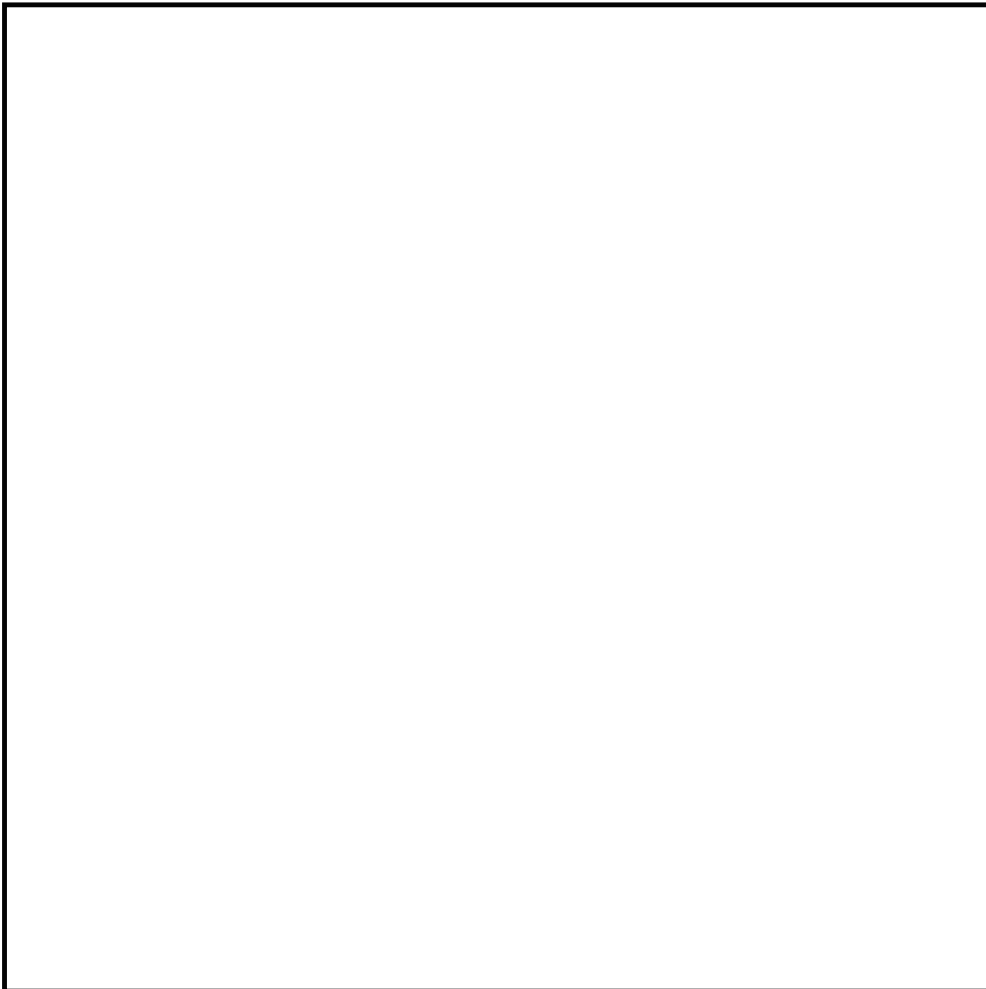


BAE SA-OH-038-IC-S75G
Bestellcode: BAE00N5

3D-View

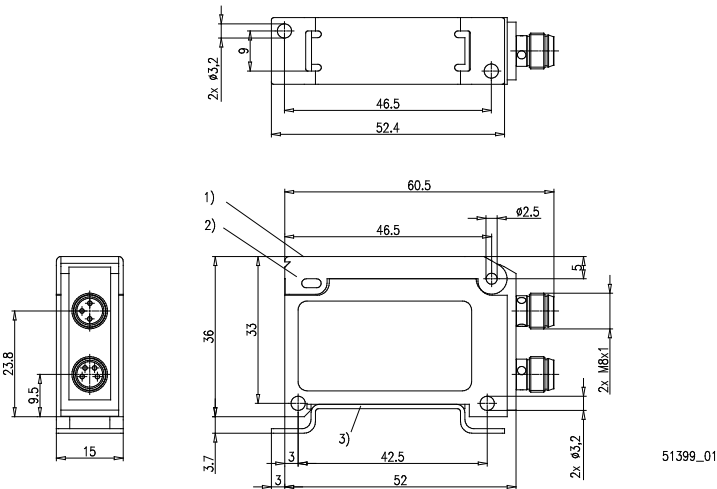


[Link](#) Balluff Webseite

BAE SA-OH-038-IC-S75G
Bestellcode: BAE00N5

BALLUFF

Dimension



E-PLAN

Availability	Available
Order code	BAE00N5
Product identifier	BAE SA-OH-038-IC-S75G
Product view	51399_01
IO Device Description	
Weight	27 g
Customs number	85437090
Dimensions	15 x 36 x 61 mm
Mounting	screw M3;DIN rail 35 mm
Special application areas	Narrow installation space.
Housing material	ABS
Approval/Conformity	CE;EAC;WEEE
Product group	Amplifiers for sensor heads
Protection degree	IP65
Manual DE	https://assets.balluff.com/WebBinary1/MAN_BAE_SA_OH_038_PREM_ANALOG_DE_EN_E14_DRW_913947_00_000.pdf
Manual EN	https://assets.balluff.com/WebBinary1/MAN_BAE_SA_OH_038_PREM_ANALOG_DE_EN_E14_DRW_913947_00_000.pdf