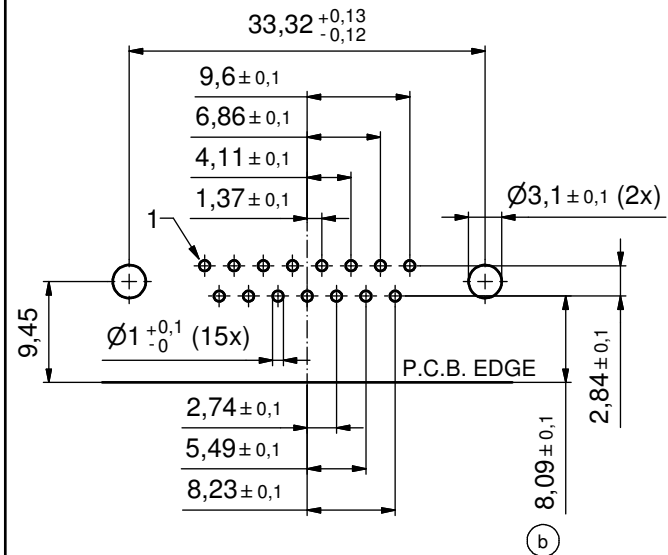
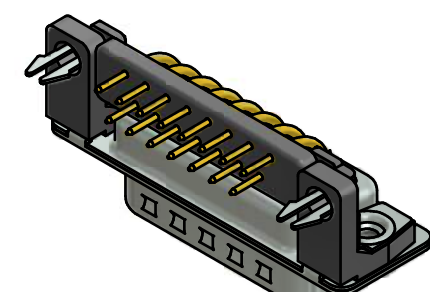
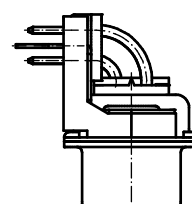
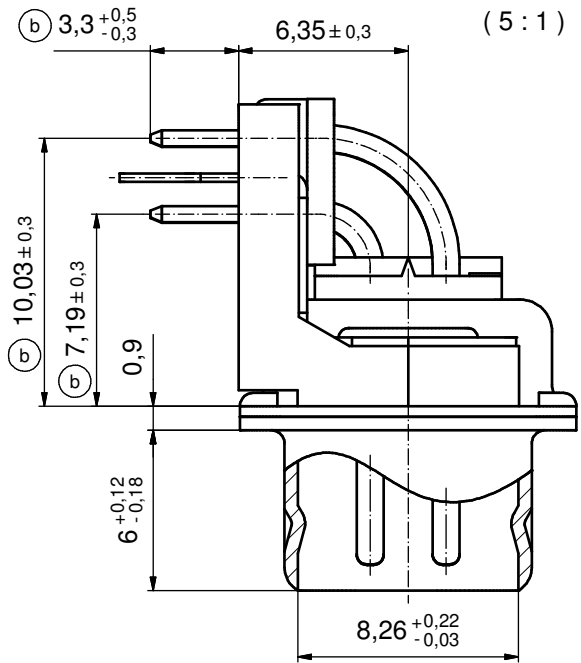
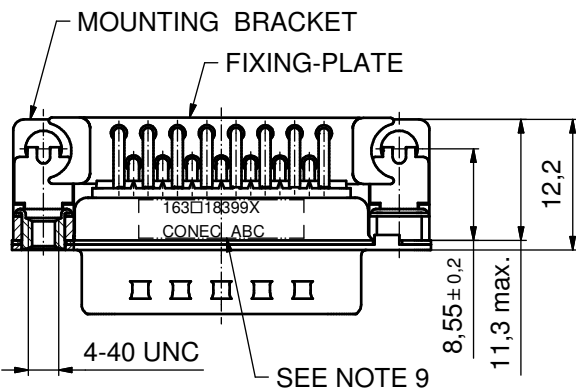
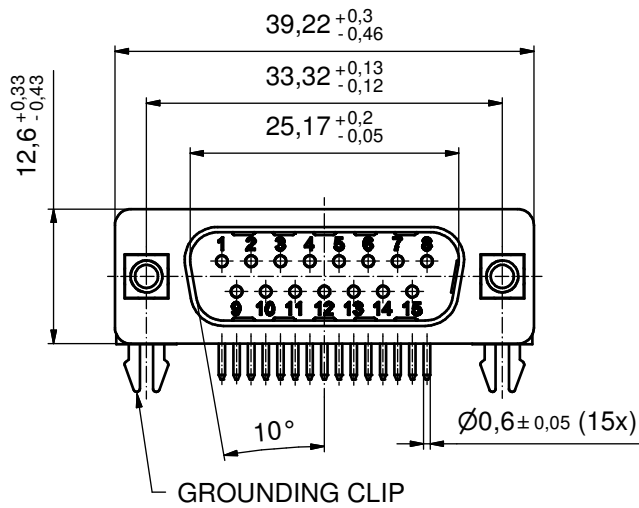


**NOTES:** (b)

1. METAL SHELLS: STEEL; min. 315µm TIN over 40-80µm NICKEL
2. INSULATORS: PBT GF UL 94 V-0, BLACK
3. CONTACTS: COPPER ALLOY  
PLATING (SEE PART NO):
  - PLEASE ADD J for 50µm HARD GOLD over min. 50µm NICKEL
  - PLEASE ADD C for 30µm HARD GOLD over min. 50µm NICKEL
  - PLEASE ADD B for 20µm HARD GOLD over min. 50µm NICKEL
  - PLEASE ADD A for GOLD FLASH over NICKEL ( PREFERRED TYPE )
4. MOUNTING BRACKET: PBT GF UL 94 V-0, BLACK
5. THREADED INSERTS: COPPER ALLOY; min. 200µm TIN over 80µm NICKEL
6. FIXING-PLATE: PBT GF UL 94 V-0, BLACK
7. GROUNDING-CLIPS: COPPER ALLOY;  
PCB-HOLE:  $\varnothing 3.1 \pm 0,1$ ; PCB THICKNESS 1,6mm
8. MAXIMUM TORQUE VALUE FOR THREAD: 6 in.LB
9. CONNECTOR IS PART MARKED: 163□18399X CONEC ABC (see note 3)



P.C.B. HOLE DRILLINGS  
(P.C.B. TOP SIDE)



Directive 2002/95/EC RoHS compliant

THIS DRAWING MAY NOT BE COPIED OR REPRODUCED IN ANY WAY, AND MAY NOT BE PASSED ON TO A THIRD PARTY WITHOUT WRITTEN PERMISSION. OWNERSHIP AND COPYRIGHT OF CONEC GmbH DO NOT ALTER CAD DRAWING BY HAND				tolerance		dim. in mm	scale: 2:1 (5:1)				
				material: SEE NOTES			title:				
				drawn	13.01.09	Lehmenkühler		D-SUB MALE 90° 15pos. SOLDER PIN ANGLED threaded insert, mounting bracket, grounding clip			
				appd.	13.01.09	Fischer					
norm			d-old 16K2A2445								
6 x b	Ä4331	13.06.2012	K.H.	dwg no: 16K1A2445 part no: (b) 163□18399X (see note 3)							
a	Original			DIN-A3 sh: 1							
rev.	description	date	name								