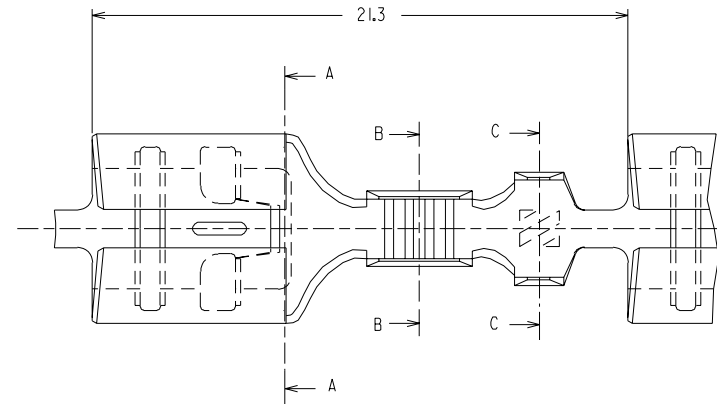
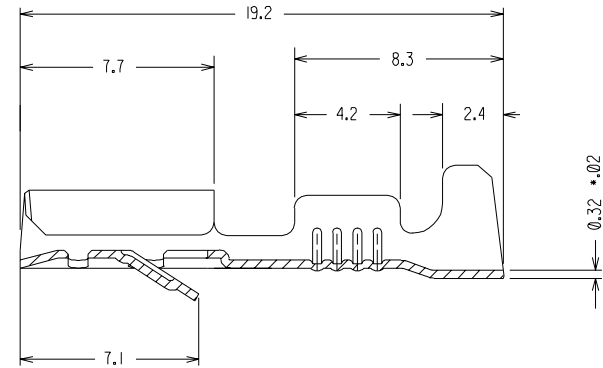


SECTION B - B

SECTION C - C

CODICE P/N	MATERIALE MATERIAL	FINITURA PLATING
94030-3890	OTTONE BRASS	GREGGIO/ PLAIN
94030-3891		STAGNATO/ TIN
94030-3892	BRONZO FOSF. PHOSPH. BRONZE	GREGGIO/ PLAIN
94030-3893		STAGNATO/ TIN



REVISIONS		DIMENSIONS SHOWN (METRIC) INCH		DRWG BY	REVISE ONLY ON CAD SYSTEM		SH.	REV.	
A	LTR	UNLESS OTHERWISE SPECIFIED TOLERANCES ANGULAR ± 2°		Gottardo	CADCAM FILENAME	THIS DRAWING CONTAINS INFORMATION THAT IS PROPRIETARY TO MOLEX INC AND SHOULD NOT BE USED WITHOUT WRITTEN PERMISSION			
		INCH (METRIC)			CHK'D BY	TITLE			
		3 PLACE ±			Previato	QIK KONNECT RECEPTACLE FOR 6.3 x 0.8 TABS			
		2 PLACE ±	± 0.1	APP'D BY	SEZ. RAME/ WIRE RANGE: 0.5-1.0 mm <sup>2</sup> — ISOLANTE/INS. RANGE: Ø 2.0-3.3 mm		SHEET NO. DATE		
		1 PLACE ±	± 0.2	SCALE	MOLEX MOLEX INCORPORATED		1 / 1	26-10-89	
		DESIGN DIMENSION (PRIMARY)	<input checked="" type="checkbox"/> (MM) <input type="checkbox"/> (IN)	5 : 1	PART NO. VEDI TABELLA SEE CHART		DWG NO. 94030-389X SD		
		EQUIVALENT DIMENSION (SECONDARY)	<input type="checkbox"/> (MM) <input type="checkbox"/> (IN)				SIZE B		