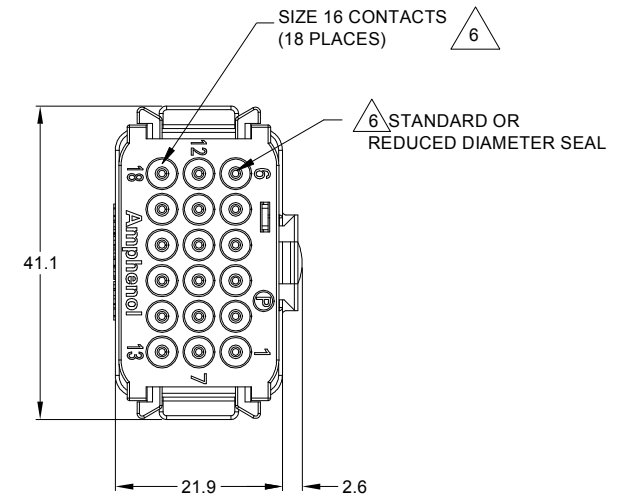
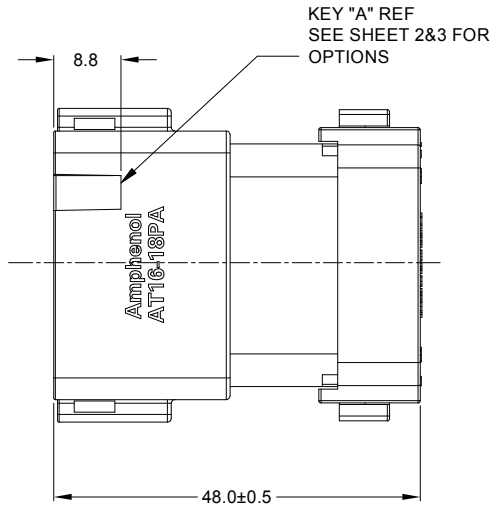
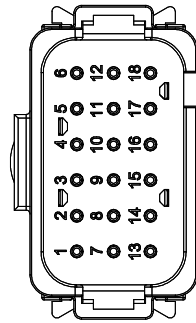
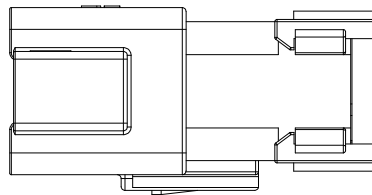


| REVISIONS | | | | | |
|-----------|-----|----------------------------|-----------|-------|-------|
| REV | ECO | DESCRIPTION | DATE | BY | APPR |
| B1 | - | RELEASE DRAWING | 30JUN2020 | ZENIN | TOMMY |
| B2 | - | TOTAL LENGTH SHORTEN 1.5mm | 12OCT2020 | ZENIN | TOMMY |



NOTES: UNLESS OTHERWISE SPECIFIED

- MATERIAL:
HOUSING: THERMOPLASTIC; COLOR: SEE CHART
END CAP: THERMOPLASTIC; COLOR: BLACK
STRAIN RELIEF CAP: THERMOPLASTIC; COLOR: BLACK
SEALS: SILICONE RUBBER; COLOR: RED, RD COLOR: GREEN
- MODIFICATIONS: END CAP, STRAIN RELIEF CAP (OPT),
REDUCED DIAMETER SEAL, STANDARD DIAMETER SEAL (OPT).
- SPECIFICATIONS:
3.1 CURRENT RATING: 13 AMPS
3.2 OPERATING TEMPERATURE: -55°C TO +125°C
3.3 DIELECTRIC WITHSTANDING VOLTAGE: LESS THAN 2
MILLIAMPS CURRENT LEAKAGE @ 1500 VOLTS AC.
3.4 INSULATION RESISTANCE: 1000 MEGOHMS MIN @ 25°C.
3.5 MOISTURE RESISTANCE:
IP68(1M OF WATER FOR A PERIOD OF 24 HOURS , MATED CONDITION)
IP69K(MATED CONDITION)
3.6 MATING CYCLE DURABILITY: 100 CYCLES
3.7 RoHS COMPLIANT
- MATING PART: AT16-18SX-* PLUG
(X = A,B,C,D,E KEYS; * = MODIFICATIONS AND COLORS)
- ALL DIMENSIONS ARE FOR REFERENCE USE ONLY.



△ CONTACT SIZE AND REAR SEAL WIRE RANGE

REDUCED DIAMETER SEAL:

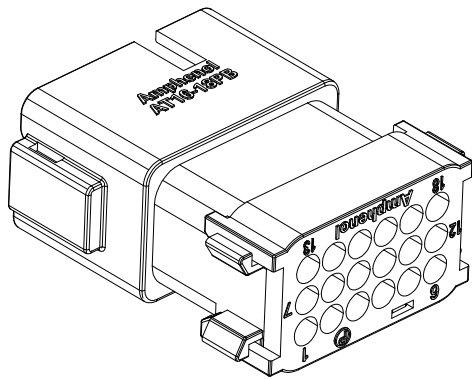
| CONTACT SIZE | MIN. INSUL O.D. | MAX. INSUL O.D. | TYPICAL WIRE RANGE |
|--------------|-------------------|-------------------|--------------------|
| 16 | 1.35 mm (.053 in) | 3.05 mm (.120 in) | 14 - 20 AWG |

STANDARD SEAL:

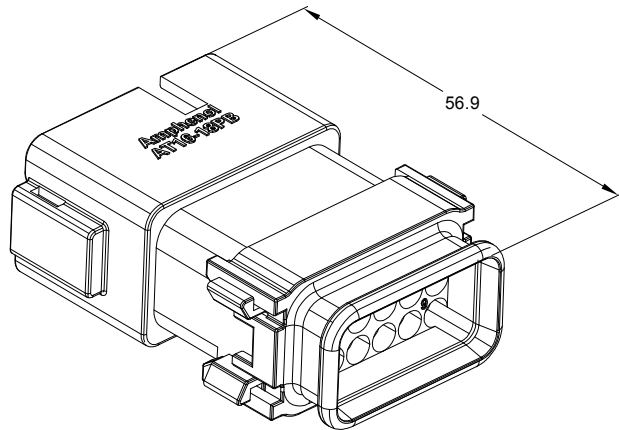
| CONTACT SIZE | MIN. INSUL O.D. | MAX. INSUL O.D. | TYPICAL WIRE RANGE |
|--------------|-------------------|-------------------|--------------------|
| 16 | 2.24 mm (.088 in) | 3.68 mm (.145 in) | 14 - 20 AWG |

| | | | |
|--------------------------------------|----------------|--|--|
| SEE CHART | | 934447111,934447121,934447131,934447141,934447151,934447511,934447521,934447531,934447541,934447551 | |
| PART NUMBER | | DESCRIPTION | |
| QUANTITY | MATERIALS LIST | | |
| UNLESS OTHERWISE SPECIFIED | | SIGNATURES | |
| 1) All dimensions are in metric(mm). | | DRAWN: ZENIN,DENG 12OCT20 | |
| 2) Tolerances are as follows: | | CHECKED: ORIONLI 12OCT20 | |
| 1 PL DEC ±0.30 | | ENGINEER: | |
| 2 PL DEC ±0.15 | | APPROVAL: TOMMY,XIE 12OCT20 | |
| 3 PL DEC ±0.08 | | CUSTOMER: | |
| 3) Note reference = △ | | FRACTIONS ±1/64 | |
| MATERIAL SPECIFICATIONS: | | ANGLES ±1° | |
| PROCESS SPECIFICATIONS: | | THIS DRAWING IS SUPPLIED FOR INFORMATION ONLY. DESIGN FEATURES, SPECIFICATIONS AND PERFORMANCE DATA SHOWN HEREON ARE THE PROPERTY OF THE AMPHENOL CORPORATION. NO RIGHTS OF REPRODUCTION ARE IMPLIED. ALL DIMENSIONS ARE SUBJECT TO NORMAL MANUFACTURING VARIATIONS. | |
| NEXT ASSY: | | SCALE: NONE | |
| ITEM | | SINE Systems Corporation | |
| | | A Subsidiary of Amphenol Corporation 44724 Morley Drive Clinton Township, MI 48036 | |
| | | 18 POSITION RECEPTACLE, PIN, AT SERIES | |
| | | SIZE B C- AT16-18PX-XXXXXX REVISION B2 | |
| | | SCALE NONE SHEET 1 OF 3 | |

TITLE: 18 POSITION RECEPTACLE, PIN, AT SERIES
DWG NO.: AT16-18PX-XXXXXX
REV: B2
SH: 1
OF: 3



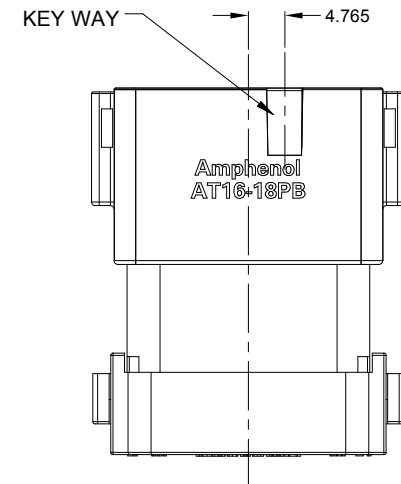
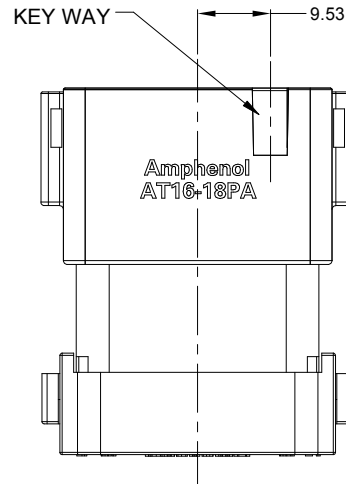
SHOWN WITH
END CAP



SHOWN WITH
STRAIN RELIEF

56.9

| REVISIONS | | | | | |
|-----------|-----|----------------------------|-----------|-------|-------|
| REV | ECO | DESCRIPTION | DATE | BY | APPR |
| B1 | - | RELEASE DRAWING | 30JUN2020 | ZENIN | TOMMY |
| B2 | - | TOTAL LENGTH SHORTEN 1.5mm | 12OCT2020 | ZENIN | TOMMY |



| KEY-A CONFIGURATION | | | |
|---------------------|---------------|-------|--------------|
| PART NUMBER | STRAIN RELIEF | COLOR | SEAL |
| AT16-18PA-K004 | NO | BLACK | REDUCED DIA. |
| AT16-18PA-EK02 | NO | GRAY | REDUCED DIA. |
| AT16-18PA-SR02 | YES | BLACK | REDUCED DIA. |
| AT16-18PA-EKSR02 | YES | GRAY | REDUCED DIA. |
| AT16-18PA-K005 | NO | BLACK | STANDARD |
| AT16-18PA-EK03 | NO | GRAY | STANDARD |
| AT16-18PA-SR03 | YES | BLACK | STANDARD |
| AT16-18PA-EKSR03 | YES | GRAY | STANDARD |

| KEY-B CONFIGURATION | | | |
|---------------------|---------------|-------|--------------|
| PART NUMBER | STRAIN RELIEF | COLOR | SEAL |
| AT16-18PB-K004 | NO | BLACK | REDUCED DIA. |
| AT16-18PB-SR02 | YES | BLACK | REDUCED DIA. |
| AT16-18PB-K005 | NO | BLACK | STANDARD |
| AT16-18PB-SR03 | YES | BLACK | STANDARD |

| SEE CHART | | DESCRIPTION | | ITEM |
|--|-------------|--|--|--------------|
| QUANTITY | PART NUMBER | MATERIALS LIST | | |
| UNLESS OTHERWISE SPECIFIED 1) All dimensions are in metric(mm). 2) Tolerances are as follows: 1 PL DEC ±0.30 Fractions ±1/64 2 PL DEC ±0.15 Angles ±1° 3 PL DEC ±0.08 3) Note reference = | | | | |
| SIGNATURES | | DATE | | |
| DRAWN: ZENIN,DENG | | 12OCT20 | | |
| CHECKED: ORIONLI | | 12OCT20 | | |
| ENGINEER: | | | | |
| APPROVAL: TOMMY,XIE | | 12OCT20 | | |
| MATERIAL SPECIFICATIONS: | | CUSTOMER: | | |
| PROCESS SPECIFICATIONS: | | THIS DRAWING IS SUPPLIED FOR INFORMATION ONLY. DESIGN FEATURES, SPECIFICATIONS AND PERFORMANCE DATA SHOWN HEREON ARE THE PROPERTY OF THE AMPHENOL CORPORATION. NO RIGHTS OF REPRODUCTION ARE IMPLIED. ALL DIMENSIONS ARE SUBJECT TO NORMAL MANUFACTURING VARIATIONS. | | |
| NEXT ASSY: | | SCALE: NONE | | |
| SIZE: B C- | | FSCM NO. DWG NO. AT16-18PX-XXXXXX | | REVISION: B2 |
| SHEET 2 | | OF 3 | | |

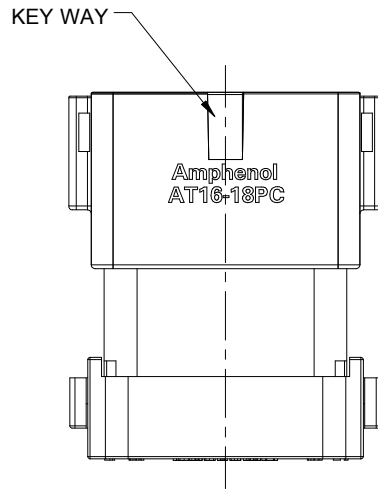
SINE Systems Corporation

A Subsidiary of Amphenol Corporation
44724 Morley Drive
Clinton Township, MI 48036

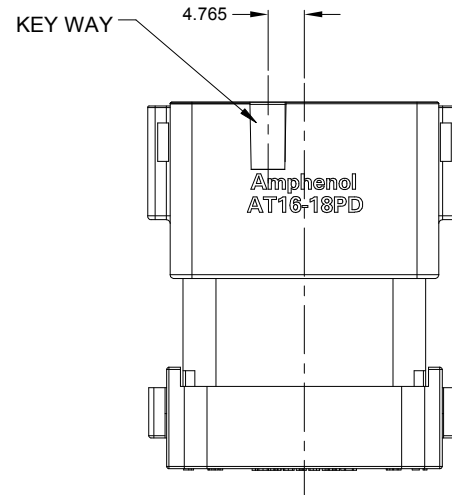
18 POSITION RECEPTACLE, PIN,AT SERIES

TITLE: 18 POSITION RECEPTACLE, PIN,AT SERIES
DWG NO.: AT16-18PX-XXXXXX
REV: B2
SH: 2
OF: 3

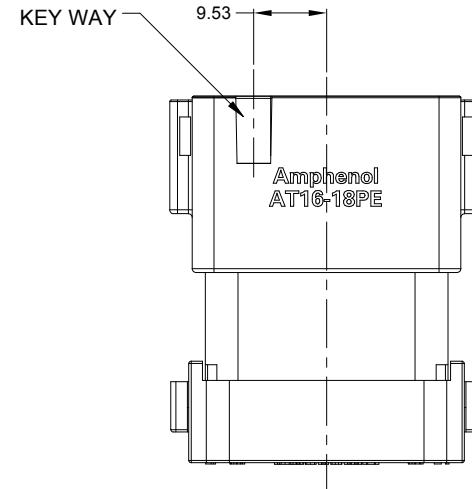
| REVISIONS | | | | | |
|-----------|-----|----------------------------|-----------|-------|-------|
| REV | ECO | DESCRIPTION | DATE | BY | APPR |
| B1 | - | RELEASE DRAWING | 30JUN2020 | ZENIN | TOMMY |
| B2 | - | TOTAL LENGTH SHORTEN 1.5mm | 12OCT2020 | ZENIN | TOMMY |



| KEY-C CONFIGURATION | | | |
|---------------------|---------------|-------|--------------|
| PART NUMBER | STRAIN RELIEF | COLOR | SEAL |
| AT16-18PC-K004 | NO | BLACK | REDUCED DIA. |
| AT16-18PC-EK02 | NO | GREEN | REDUCED DIA. |
| AT16-18PC-SR02 | YES | BLACK | REDUCED DIA. |
| AT16-18PC-EKSR02 | YES | GREEN | REDUCED DIA. |
| AT16-18PC-K005 | NO | BLACK | STANDARD |
| AT16-18PC-EK03 | NO | GREEN | STANDARD |
| AT16-18PC-SR03 | YES | BLACK | STANDARD |
| AT16-18PC-EKSR03 | YES | GREEN | STANDARD |



| KEY-D CONFIGURATION | | | |
|---------------------|---------------|-------|--------------|
| PART NUMBER | STRAIN RELIEF | COLOR | SEAL |
| AT16-18PD-K004 | NO | BLACK | REDUCED DIA. |
| AT16-18PD-EK02 | NO | BROWN | REDUCED DIA. |
| AT16-18PD-SR02 | YES | BLACK | REDUCED DIA. |
| AT16-18PD-EKSR02 | YES | BROWN | REDUCED DIA. |
| AT16-18PD-K005 | NO | BLACK | STANDARD |
| AT16-18PD-EK03 | NO | BROWN | STANDARD |
| AT16-18PD-SR03 | YES | BLACK | STANDARD |
| AT16-18PD-EKSR03 | YES | BROWN | STANDARD |



| KEY-E CONFIGURATION | | | |
|---------------------|---------------|-------|--------------|
| PART NUMBER | STRAIN RELIEF | COLOR | SEAL |
| AT16-18PE-K004 | NO | BLACK | REDUCED DIA. |
| AT16-18PE-EK02 | NO | GRAY | REDUCED DIA. |
| AT16-18PE-SR02 | YES | BLACK | REDUCED DIA. |
| AT16-18PE-EKSR02 | YES | GRAY | REDUCED DIA. |
| AT16-18PE-K005 | NO | BLACK | STANDARD |
| AT16-18PE-EK03 | NO | GRAY | STANDARD |
| AT16-18PE-SR03 | YES | BLACK | STANDARD |
| AT16-18PE-EKSR03 | YES | GRAY | STANDARD |

| SEE CHART | | DESCRIPTION | | ITEM |
|--|-------------|--|--|--|
| QUANTITY | PART NUMBER | | | |
| MATERIALS LIST | | | | |
| UNLESS OTHERWISE SPECIFIED 1) All dimensions are in metric(mm). 2) Tolerances are as follows: 1 PL DEC ±0.30 2 PL DEC ±0.15 3 PL DEC ±0.08 Fractions ±1/64 Angles ±1° 3) Note reference = | | SIGNATURES DRAWN: ZENINDENG 12OCT20 CHECKED: ORIONLI 12OCT20 ENGINEER: APPROVAL: TOMMYXIE 12OCT20 CUSTOMER: | | DATE 12OCT20 12OCT20 12OCT20 |
| MATERIAL SPECIFICATIONS: | | SINE Systems Corporation A Subsidiary of Amphenol Corporation 44724 Morley Drive Clinton Township, MI 48036 | | |
| PROCESS SPECIFICATIONS: | | 18 POSITION RECEPTACLE, PIN,AT SERIES | | |
| NEXT ASSY: | | THIS DRAWING IS SUPPLIED FOR INFORMATION ONLY. DESIGN FEATURES, SPECIFICATIONS AND PERFORMANCE DATA SHOWN HEREON ARE THE PROPERTY OF THE AMPHENOL CORPORATION. NO RIGHTS OF REPRODUCTION ARE IMPLIED. ALL DIMENSIONS ARE SUBJECT TO NORMAL MANUFACTURING VARIATIONS. | | SCALE: NONE SHEET 3 OF 3 |
| | | SIZE B C- AT16-18PX-XXXXXX REVISION B2 | | |

TITLE: 18 POSITION RECEPTACLE, PIN,AT SERIES
 DWG NO.: AT16-18PX-XXXXXX
 REV: B2
 SH: 3
 OF: 3

AT Series™ - Contact Size 16 Options



| Machined Contacts, Sockets & Pins | | | | |
|-----------------------------------|--|------|-------|----------|
| Part Number | Description | Size | AWG | Type |
| AT60-215-1631 | Male Contact - Pin, Gold-plated | 16 | 14 | Machined |
| AT62-209-1631 | Female Contact - Socket, Gold-plated | 16 | 14 | Machined |
| AT60-215-16141 | Male Contact - Pin, Nickel-plated | 16 | 14 | Machined |
| AT62-209-16141 | Female Contact - Socket, Nickel-plated | 16 | 14 | Machined |
| AT60-202-1631 | Male Contact - Pin, Gold-plated | 16 | 16-20 | Machined |
| AT62-201-1631 | Female Contact - Socket, Gold-plated | 16 | 16-20 | Machined |
| AT60-202-16141 | Male Contact - Pin, Nickel-plated | 16 | 16-20 | Machined |
| AT62-201-16141 | Female Contact - Socket, Nickel-plated | 16 | 16-20 | Machined |
| AT60-202-1631-22 | Male Contact - Pin, Gold-plated | 16 | 22-24 | Machined |
| AT62-201-1631-22 | Female Contact - Socket, Gold-plated | 16 | 22-24 | Machined |
| AT60-202-16141-22 | Male Contact - Pin, Nickel-plated | 16 | 22-24 | Machined |
| AT62-201-16141-22 | Female Contact - Socket, Nickel-plated | 16 | 22-24 | Machined |

| Tooling - Machined Contacts | | |
|---|-------------|---|
| Part | Part Number | Description |
|  | CA-5D12 | Universal Hand Crimp Tool, Size 12/16/20 (Machined contacts only) |
|  | CA-5E12 | Pneumatic Crimp Tool, Size 12/16/20 (Machined contacts only) |

| Contact Removal Tools | | |
|---|---------------|---|
| Part | Part Number | Description |
|  | ATRT-100 | Used for removal of contacts for A Series™ products |
|  | AT11-310-1605 | Contact Removal Tool, Plastic, Size 16 |

| Sealing Plugs | | |
|---|------------------|---|
| Part | Part Number | Description |
|  | A114017 | Sealing Plug, Size 16, White |
|  | A114017-SR | Sealing Plug, Size 16, SR01 Series, Black |
|  | AT13-217-1605 | Locking Sealing Plug, Size 16, Grey |
|  | AT13-217-1605-SR | Locking Sealing Plug, Size 16, SR01 Series, Red |

| Stamped & Formed Contacts, Sockets & Pins | | | | |
|---|--|------|-------|------------------|
| Part Number | Description | Size | AWG | Type |
| AT60-14-0144 | Male Contact - Pin, Gold-plated | 16 | 14-16 | Stamped & Formed |
| AT62-14-0144 | Female Contact - Socket, Gold-plated | 16 | 14-16 | Stamped & Formed |
| AT60-14-0122 | Male Contact - Pin, Nickel-plated | 16 | 14-16 | Stamped & Formed |
| AT62-14-0122 | Female Contact - Socket, Nickel-plated | 16 | 14-16 | Stamped & Formed |
| AT60-16-0144 | Male Contact - Pin, Gold-plated | 16 | 16-18 | Stamped & Formed |
| AT62-16-0144 | Female Contact - Socket, Gold-plated | 16 | 16-18 | Stamped & Formed |
| AT60-16-0122 | Male Contact - Pin, Nickel-plated | 16 | 16-18 | Stamped & Formed |
| AT62-16-0122 | Female Contact - Socket, Nickel-plated | 16 | 16-18 | Stamped & Formed |
| AT60-16-0644 | Male Contact - Pin, Gold-plated | 16 | 18-20 | Stamped & Formed |
| AT62-16-0644 | Female Contact - Socket, Gold-plated | 16 | 18-20 | Stamped & Formed |
| AT60-16-0622 | Male Contact - Pin, Nickel-plated | 16 | 18-20 | Stamped & Formed |
| AT62-16-0622 | Female Contact - Socket, Nickel-plated | 16 | 18-20 | Stamped & Formed |
| AT60-16-0844 | Male Contact - Pin, Gold-plated | 16 | 20-22 | Stamped & Formed |
| AT62-16-0844 | Female Contact - Socket, Gold-plated | 16 | 20-22 | Stamped & Formed |
| AT60-16-0822 | Male Contact - Pin, Nickel-plated | 16 | 20-22 | Stamped & Formed |
| AT62-16-0822 | Female Contact - Socket, Nickel-plated | 16 | 20-22 | Stamped & Formed |

| Tooling - Stamped & Formed Contacts | | |
|--|-------------|---|
| Part | Part Number | Description |
|  | MFY-3950 | Crimp Die - Size 16, 18-20AWG (S&F contacts only) |
| | MFY-3953 | Crimp Die - Size 16, 16-18AWG (S&F contacts only) |
| | MFY-3975 | Crimp Die - Size 16, 14-16AWG (S&F contacts only) |
| | MFY-3990 | Crimp Die - Size 16, 20-22AWG (S&F contacts only) |
|  | ATT-16-00 | Hand Crimp Tool - Size 16, 14-16AWG (S&F contacts only) |
| | ATT-16-01 | Hand Crimp Tool - Size 16, 18-20AWG (S&F contacts only) |
| | ATT-1612-03 | Hand Crimp Tool - Size 16, 20-22AWG (S&F contacts only) |