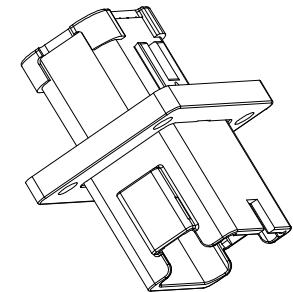
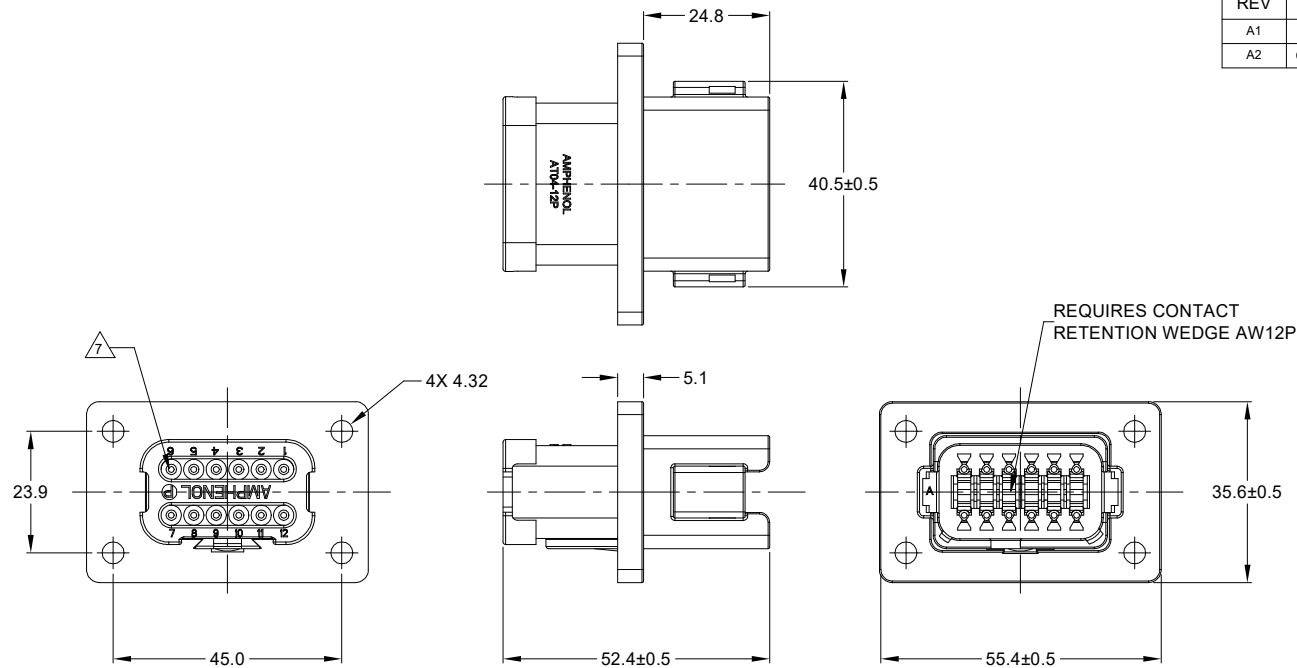


REVISIONS					
REV	ECO	DESCRIPTION	DATE	BY	APPR
A1	-	RELEASE NUMBER	30/NOV/18	BROOK	TOMMY
A2	C1403S	UPDATE THE APPEARANCE	11/NOV/21	LOUIE	TOMMY



NOTES: UNLESS OTHERWISE SPECIFIED

1. SEE SHEET 2 FOR KEY ARRANGEMENTS AND COLORS.

2. MATERIAL:
HOUSING: THERMOPLASTIC
SEAL: SILICONE RUBBER

3. MODIFICATIONS: FLANGE, END CAP

4. SPECIFICATIONS:

- 4.1 CURRENT RATING: 13 AMPS
- 4.2 OPERATING TEMPERATURE: -55°C TO +125°C.
- 4.3 DIELECTRIC WITHSTANDING VOLTAGE: LESS THAN 2 MILLIAMPS CURRENT LEAKAGE @ 1500 VOLTS AC.
- 4.4 INSULATION RESISTANCE: 1000 MEGOHMS MIN @ 25°C.
- 4.5 MOISTURE RESISTANCE: IP69K&IP68 (1M OF WATER FOR A PERIOD OF 24 HOURS, MATED CONDITION)
- 4.6 MATING CYCLE DURABILITY: 100 CYCLES
- 4.7 RoHS COMPLIANT

7. CONTACT SIZE AND REAR SEAL WIRE RANGE:

CONTACT SIZE	MIN. INSUL O.D.	MAX. INSUL O.D.	TYPICAL WIRE RANGE
16	2.24 mm (.088 in)	3.68 mm (.145 in)	14 - 20 AWG

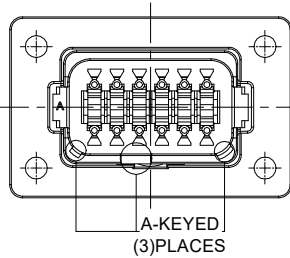
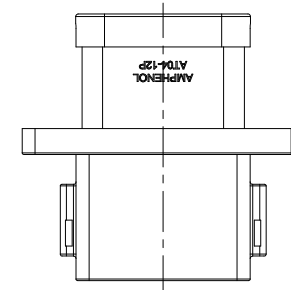
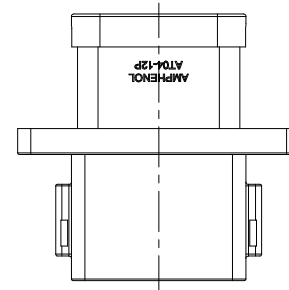
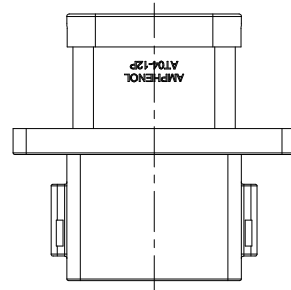
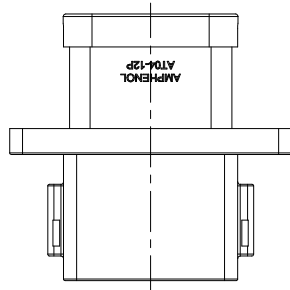
5. MATING PART: AT06-12SX* PLUG.
(X=A,B,C,D KEYS, * = MODIFICATIONS AND COLORS)

6. ALL DIMENSIONS ARE FOR REFERENCE USE ONLY.

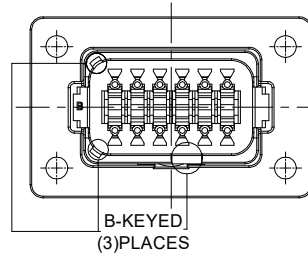
SEE SHEET 2		REF: DT04-12PA-BL05 - DT04-12PB-BL05 - DT04-12PC-BL05 - DT04-12PD-BL05		ITEM
QUANTITY	PART NUMBER	DESCRIPTION		
		12P RECEPTACLE, FLANGE MOUNT, ENHANCE KEY, END CAP		
UNLESS OTHERWISE SPECIFIED		SIGNATURES		DATE
1) All dimensions are in metric (mm).		DRAWN: LOUIE	11/NOV/21	
2) Tolerances are as follows:		CHECKED: ORION	12/NOV/21	
1 PL DEC ±0.30		ENGINEER:		
2 PL DEC ±0.15		APPROVAL: TOMMY	15/NOV/21	
3 PL DEC ±0.08		CUSTOMER:		
3) Note reference =		MATERIAL SPECIFICATIONS:		
WEIGHT: 28.9g		PROCESS SPECIFICATIONS:		
NEXT ASSY:		THIS DRAWING IS SUPPLIED FOR INFORMATION ONLY. DESIGN FEATURES, SPECIFICATIONS AND PERFORMANCE DATA SHOWN HEREON ARE THE PROPERTY OF THE AMPHENOL CORPORATION. NO RIGHTS OF REPRODUCTION ARE IMPLIED. ALL DIMENSIONS ARE SUBJECT TO NORMAL MANUFACTURING VARIATIONS.		
MATERIAL SPECIFICATIONS:		SIZE		REVISION
WEIGHT: 28.9g		B C-		A2
NEXT ASSY:		SCALE		
		NONE		
		SHEET		1 OF 3

TITLE: 12P RECEPTACLE, FLANGE MOUNT, ENHANCE KEY, END CAP
DWG NO.: AT04-12PX-BL05
REV: A2
SH: 1
OF: 3

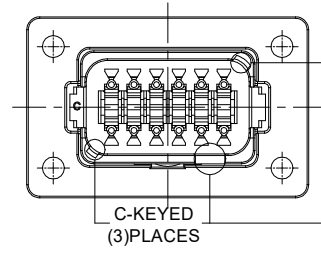
REVISIONS					
REV	ECO	DESCRIPTION	DATE	BY	APPR
A1	-	RELEASE NUMBER	30/NOV/18	BROOK	TOMMY
A2	C1403S	UPDATE THE APPEARANCE	11/NOV/21	LOUIE	TOMMY



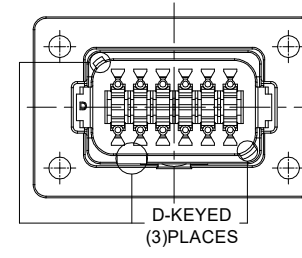
A-KEYED
(3)PLACES



B-KEYED
(3)PLACES



C-KEYED
(3)PLACES



D-KEYED
(3)PLACES

KEY-A CONFIGURATION	
COLOR	PART NUMBER
GREY	AT04-12PA-BL05

KEY-B CONFIGURATION	
COLOR	PART NUMBER
BLACK	AT04-12PB-BL05

KEY-C CONFIGURATION	
COLOR	PART NUMBER
GREEN	AT04-12PC-BL05

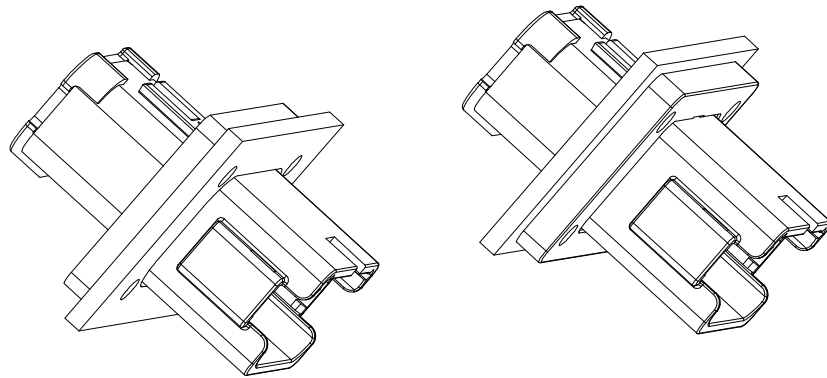
KEY-D CONFIGURATION	
COLOR	PART NUMBER
BROWN	AT04-12PD-BL05

SEE SHEET 2		DESCRIPTION		ITEM
QUANTITY	PART NUMBER			
<p>MATERIALS LIST</p> <p>UNLESS OTHERWISE SPECIFIED 1) All dimensions are in metric(mm). 2) Tolerances are as follows: 1 PL DEC ±0.30 2 PL DEC ±0.15 3 PL DEC ±0.08 Fractions ±1/64 Angles ±1°</p> <p>3) Note reference = </p>				
MATERIAL SPECIFICATIONS:		<p>SIGNATURES DATE</p> <p>DRAWN: LOUIE 11/NOV/21</p> <p>CHECKED: ORION 12/NOV/21</p> <p>ENGINEER:</p> <p>APPROVAL: TOMMY 15/NOV/21</p> <p>CUSTOMER:</p>		
WEIGHT:28.9g		<p>Amphenol</p> <p>Sine Systems - www.amphenol-sine.com 44724 Morley Drive Clinton Township, MI 48036</p>		
PROCESS SPECIFICATIONS:		<p>THIS DRAWING IS SUPPLIED FOR INFORMATION ONLY. DESIGN FEATURES, SPECIFICATIONS AND PERFORMANCE DATA SHOWN HEREON ARE THE PROPERTY OF THE AMPHENOL CORPORATION. NO RIGHTS OF REPRODUCTION ARE IMPLIED. ALL DIMENSIONS ARE SUBJECT TO NORMAL MANUFACTURING VARIATIONS.</p>		
NEXT ASSY:		<p>THIS DRAWING IS SUPPLIED FOR INFORMATION ONLY. DESIGN FEATURES, SPECIFICATIONS AND PERFORMANCE DATA SHOWN HEREON ARE THE PROPERTY OF THE AMPHENOL CORPORATION. NO RIGHTS OF REPRODUCTION ARE IMPLIED. ALL DIMENSIONS ARE SUBJECT TO NORMAL MANUFACTURING VARIATIONS.</p>		
		<p>SIZE: B C-</p> <p>SCALE: NONE</p>	<p>DWG NO: AT04-12PX-BL05</p>	<p>REVISION: A2</p>
		<p>SHEET 2 OF 3</p>		

TITLE: 12P RECEPTACLE FLANGE MOUNT ENHANCE KEY/END CAP
 DWG NO: AT04-12PX-BL05
 REV: A2
 SH: 2
 OF: 3

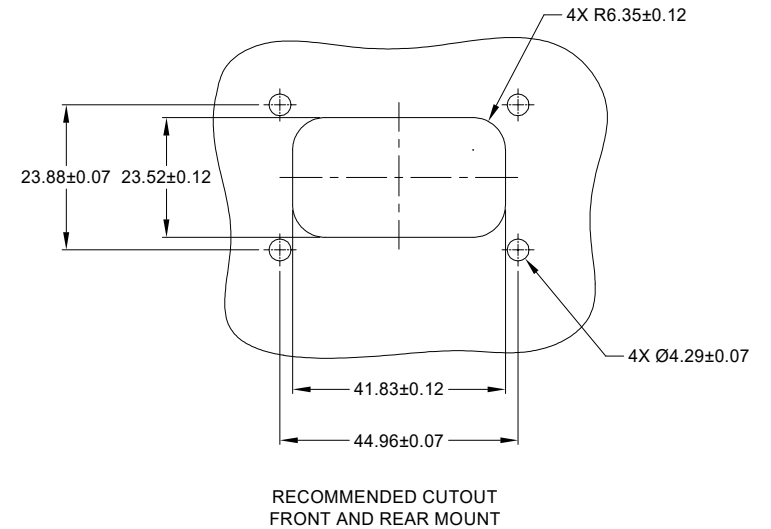
REVISIONS					
REV	ECO	DESCRIPTION	DATE	BY	APPR
A1	-	RELEASE NUMBER	30/NOV/18	BROOK	TOMMY
A2	C1403S	UPDATE THE APPEARANCE	11/NOV/21	LOUIE	TOMMY

FOR REFERENCE ONLY



FRONT MOUNT

REAR MOUNT



RECOMMENDED CUTOUT
FRONT AND REAR MOUNT

TITLE: 12P RECEPTACLE FLANGE MOUNT ENHANCE KEY END CAP
DWG NO.: AT04-12PX-BL05
REV: A2
SH: 3
OF: 3

SEE SHEET 2		DESCRIPTION		ITEM
QUANTITY	PART NUMBER			
MATERIALS LIST				
UNLESS OTHERWISE SPECIFIED 1) All dimensions are in metric (mm). 2) Tolerances are as follows: 1 PL DEC ±0.30 2 PL DEC ±0.15 3 PL DEC ±0.08 Fractions ±1/64 Angles ±1° 3) Note reference =		SIGNATURES DRAWN: LOUIE CHECKED: ORION ENGINEER: APPROVAL: TOMMY		DATE 11/NOV/21 12/NOV/21 15/NOV/21
MATERIAL SPECIFICATIONS: WEIGHT: 28.9g PROCESS SPECIFICATIONS: NEXT ASSY:		CUSTOMER: THIS DRAWING IS SUPPLIED FOR INFORMATION ONLY. DESIGN FEATURES, SPECIFICATIONS AND PERFORMANCE DATA SHOWN HEREON ARE THE PROPERTY OF THE AMPHENOL CORPORATION. NO RIGHTS OF REPRODUCTION ARE IMPLIED. ALL DIMENSIONS ARE SUBJECT TO NORMAL MANUFACTURING VARIATIONS.		Amphenol Sine Systems - www.amphenol-sine.com 44724 Morley Drive Clinton Township, MI 48036
		12P RECEPTACLE, FLANGE MOUNT, ENHANCE KEY, END CAP		
		SIZE B C-	DWG NO.: AT04-12PX-BL05	REVISION A2
		SCALE NONE	SHEET 3 OF 3	