



Electrical Specifications

Center Frequency: 25400 MHz
Bandwidth: 10000 MHz
Pass Band: 20400-30400 MHz
Insertion Loss: 2.0 dB Max
VSWR: 2.0:1 Max
Rejection: >40 dB @ DC-14.4 GHz
 >40 dB @ 36.4-40 GHz
Impedance: 50 Ω
Power Handling: 1 W

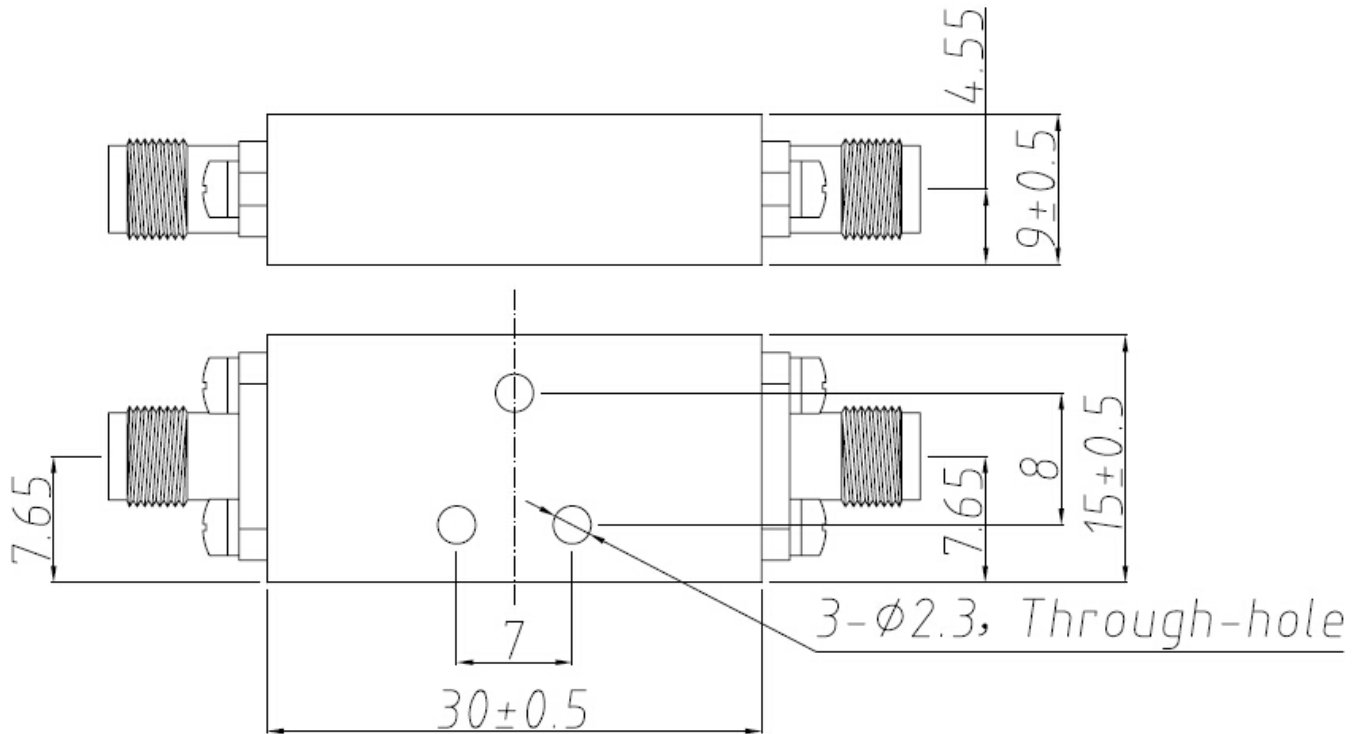
Mechanical

Connector Type: 2.92mm (F)
Dimensions: 30.0 x 15.0 x 9.0 mm

Environmental

Operating Temperature: -30 to +60° C
Storage Temperature: -40 to +85° C
Shock: 20 G. 11 ms
Vibration: 20 G. 5 to 200 MHz

Outline Drawing:



Tolerance: ±0.5 mm



Response Plot:

