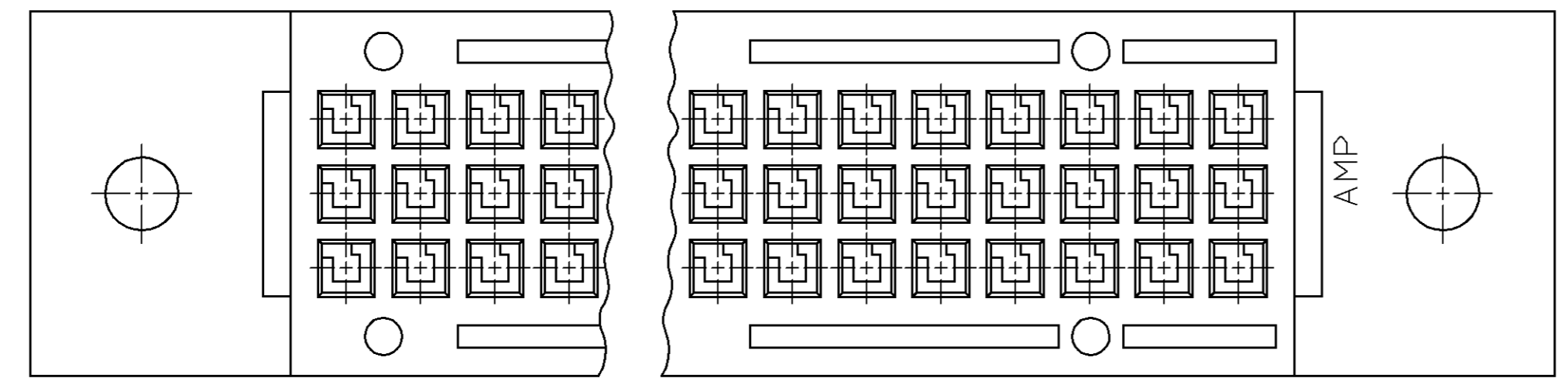
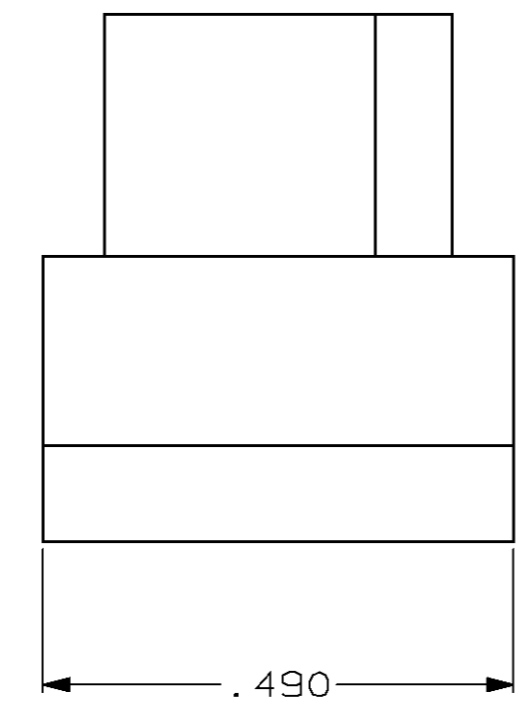
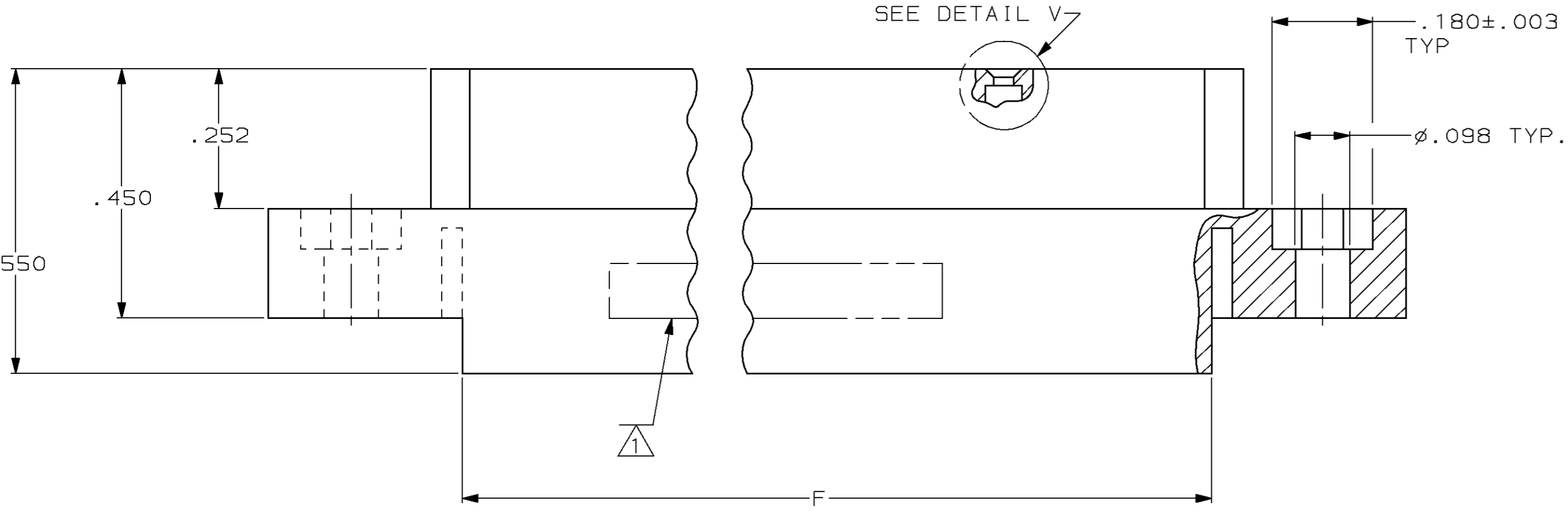
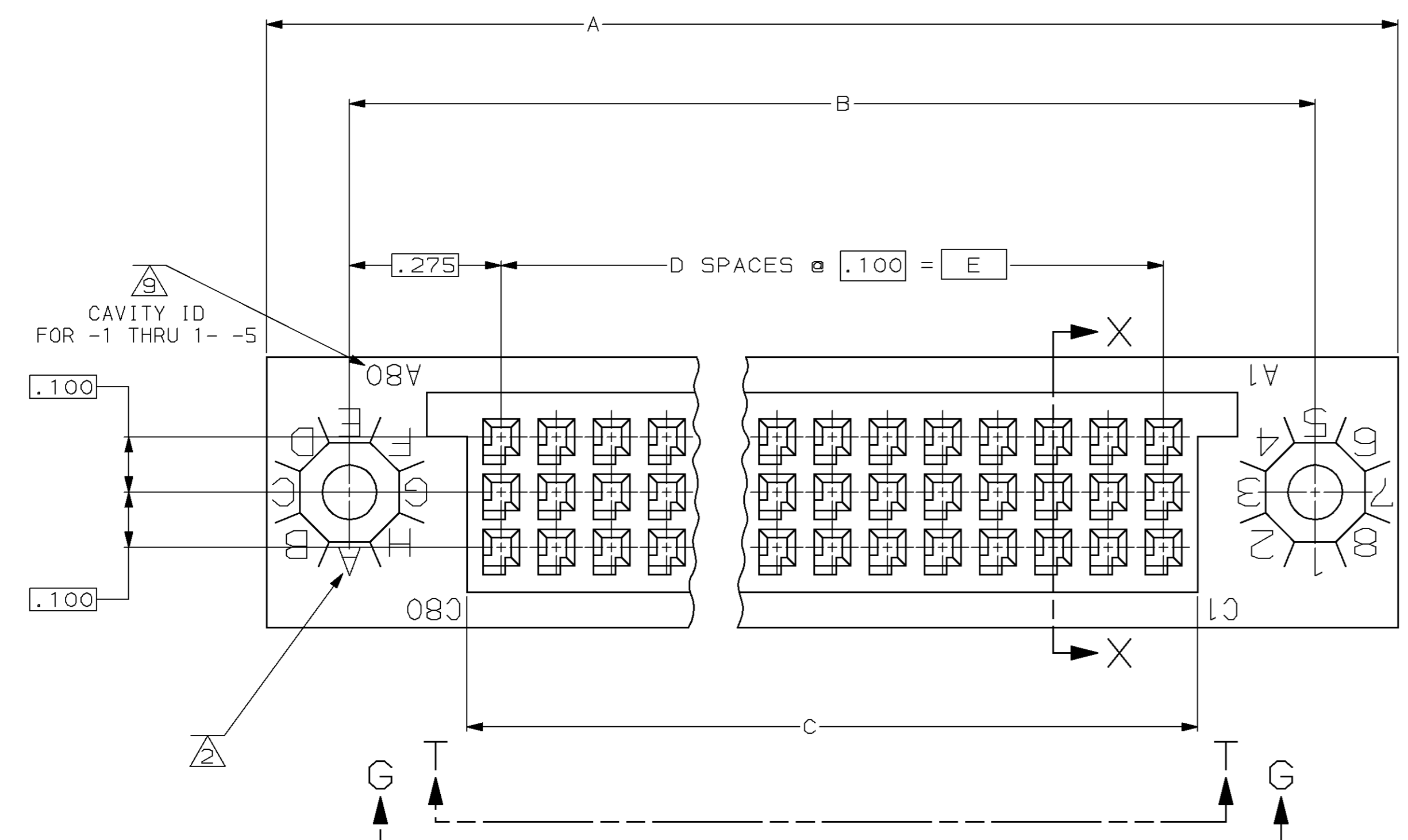


PROJ	LOC	DIST	P	F	FO	ZONE	LTR	REVISIONS	DATE	APPD
5087	DF	FO						G REV & REDWN DF-1357 MC	1-31-89	DM
								H REVISED PER ECN DF-4129 T.S.	-	DM
								J REVISED PER ECN DF-7080 TA	2-5-93	DM
								K REV PER 0600-1536-93 TA	7-11-94	DM
								L REV PER 0600-1712-94 TA	11-11-94	DM
								M REV PER 0600-5631-96 TT	12-97	DM

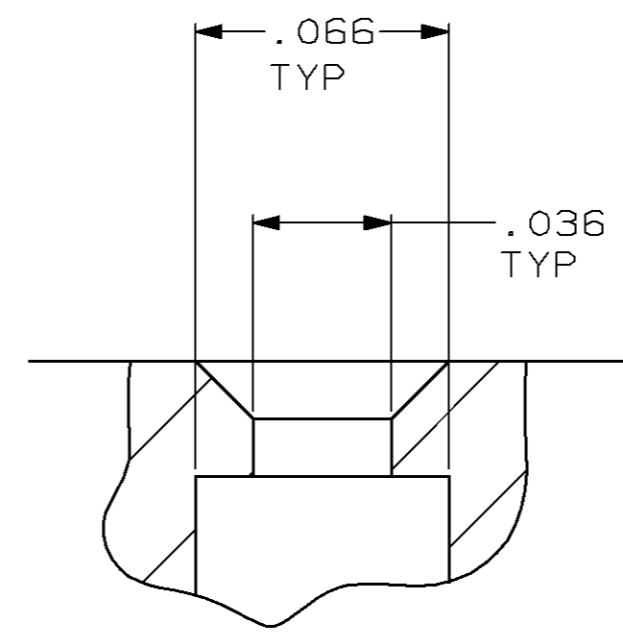


- △ AMP, DATE CODE, AND PART NUMBER MARKED THIS SURFACE.
- △ KEY POSITION IDENTIFICATIONS MOLDED ON SURFACES SHOWN.
- △ HOUSING MAT'L: POLYPHENYLENE SULFIDE GST-40F, PER MIL-M-24519.
- △ CONTACT SHOWN FOR REFERENCE ONLY AND MUST BE ORDERED SEPARATELY. PART NUMBER 531216 FOR #22 TO #26 AWG WITH .000050 GOLD INLAY, TIN/LEAD IN WIRE BARREL.
- △ NUMBERS INDICATING EVERY TEN (10) POSITIONS IN ALL THREE (3) ROWS AND FIRST AND LAST POSITIONS, MARKED, .062 HIGH, ON SIDE OPPOSITE POLARIZING TABS.
- △ 53711-S0CN-6020603-201 REV- MARKED THIS SIDE. DATE CODE MARKED OPPOSITE SIDE. (3-531984-5 ONLY)
- △ PACKAGE IS TO INDICATE AMP, PART NUMBER, FOLLOWED BY CUSTOMER C/N 53711-6020603-201.
- △ FOR DASH 1-531984-6 ONLY, NUMBERS INDICATING EVERY TEN (10) POSITIONS FOR ROW A ON FAR SIDE (POLARIZING TAB SIDE) AND ROW C ON NEAR SIDE. SEE VIEW T-T
- △ LETTERS INDICATING OUTSIDE ROWS & NUMBERS INDICATING END CAVITIES MARKED ON THIS SURFACE.

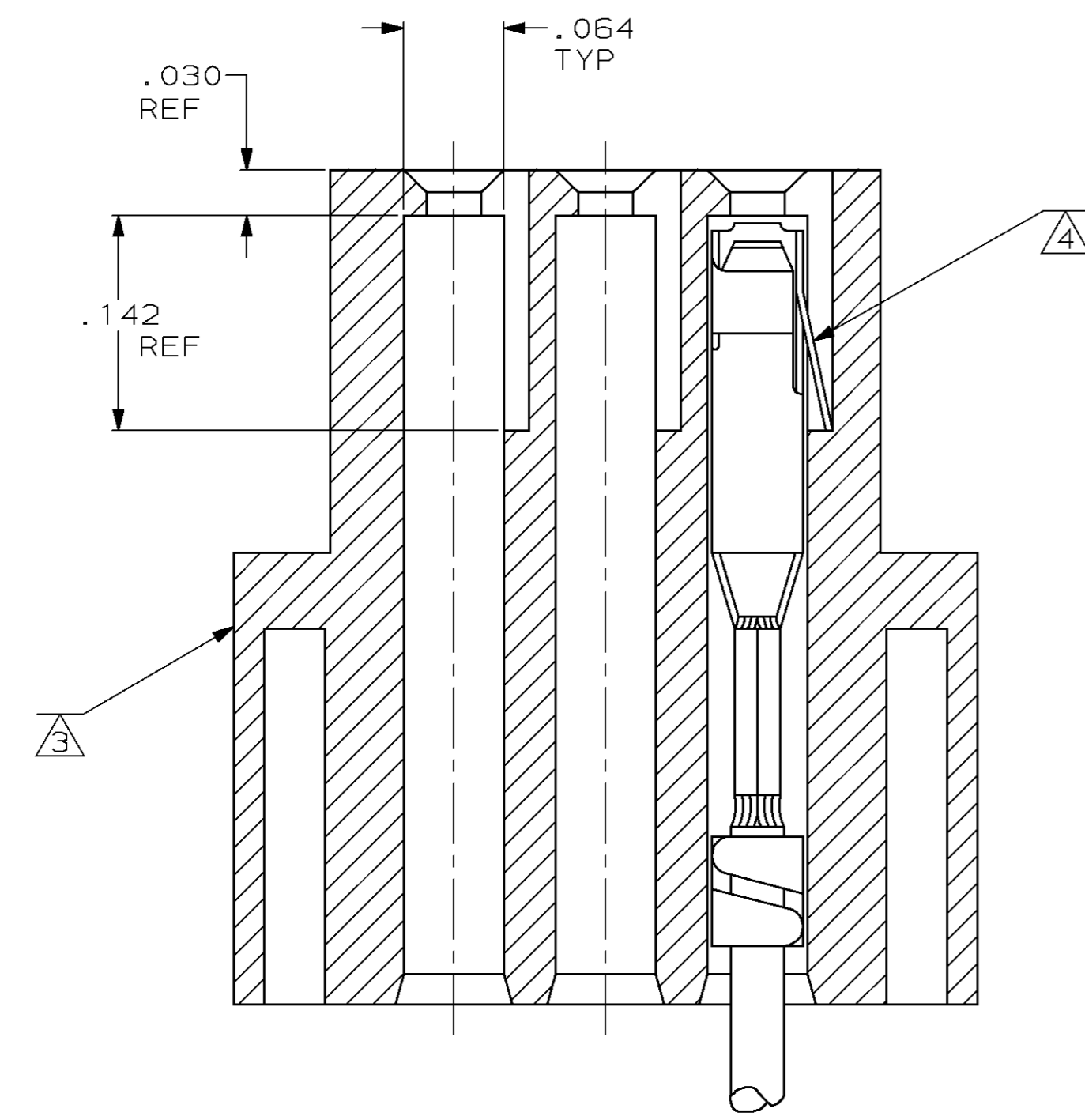
OBSOLETE	△	6.250	6.100	61	6.224	6.650	6.950	186	4-531984-6
OBSOLETE	△	5.550	5.400	54	5.524	5.950	6.250	165	4-531984-5
OBSOLETE	△	5.050	4.900	49	5.024	5.450	5.750	150	4-531984-4
OBSOLETE	△	4.850	4.700	47	4.824	5.250	5.550	144	4-531984-3
OBSOLETE	△	4.550	4.400	44	4.524	4.950	5.250	135	4-531984-2
	△	4.450	4.300	43	4.424	4.850	5.150	132	4-531984-1
OBSOLETE	△	4.250	4.100	41	4.224	4.650	4.950	126	4-531984-0
OBSOLETE	△	4.050	3.900	39	4.024	4.450	4.750	120	3-531984-9
OBSOLETE	△	3.750	3.600	36	3.724	4.150	4.450	111	3-531984-8
OBSOLETE	△	3.550	3.400	34	3.524	3.950	4.250	105	3-531984-7
	△	3.050	2.900	29	3.024	3.450	3.750	90	3-531984-6
	△	7.050	6.900	69	7.024	7.450	7.750	210	3-531984-5
	△	8.050	7.900	79	8.024	8.450	8.750	240	1-531984-6
OBSOLETE	△	6.250	6.100	61	6.224	6.650	6.950	186	1-531984-5
	△	5.550	5.400	54	5.524	5.950	6.250	165	1-531984-4
	△	5.050	4.900	49	5.024	5.450	5.750	150	1-531984-3
OBSOLETE	△	4.850	4.700	47	4.824	5.250	5.550	144	1-531984-2
	△	4.550	4.400	44	4.524	4.950	5.250	135	1-531984-1
	△	4.450	4.300	43	4.424	4.850	5.150	132	1-531984-0
OBSOLETE	△	4.350	4.200	42	4.324	4.750	5.050	129	531984-9
	△	4.250	4.100	41	4.224	4.650	4.950	126	531984-8
OBSOLETE	△	4.150	4.000	40	4.124	4.550	4.850	123	531984-7
	△	4.050	3.900	39	4.024	4.450	4.750	120	531984-6
OBSOLETE	△	3.750	3.600	36	3.724	4.150	4.450	111	531984-5
	△	3.550	3.400	34	3.524	3.950	4.250	105	531984-4
OBSOLETE	△	3.350	3.200	32	3.324	3.750	4.050	99	531984-3
OBSOLETE	△	3.250	3.100	31	3.224	3.650	3.950	96	531984-2
	△	3.050	2.900	29	3.024	3.450	3.750	90	531984-1
REMARKS		F	E	D	C	B	A	NO. OF POSITIONS	PART NUMBER

DO NOT SCALE PRINT. UNLESS SPECIFIED DIMENSIONS IN INCHES TOLERANCES ON: 2 PLC DEC ± .010 3 PLC DEC ± .010 ANGLES ± -	DR 1-31-89 M. CLOUSER CHK 3-16-89 D. MILLER APPD 3-16-89 D. MILLER	AMP   AMP INCORPORATED Harrisburg, Pa. 17105
MATERIAL △	APPD 7-18-89 G. GRIFFITH PRODUCT SPEC -	
FINISH -	APPLICATION SPEC -	NAME RECEPTACLE HOUSING, 1003 SERIES BOX CONNECTOR, .100¢ FOR USE WITH TANDEM SPRING CONTACT
WEIGHT -	SIZE D	FSCM NO 00779
	DRAWING NO 531984	SHEET 1 of 2

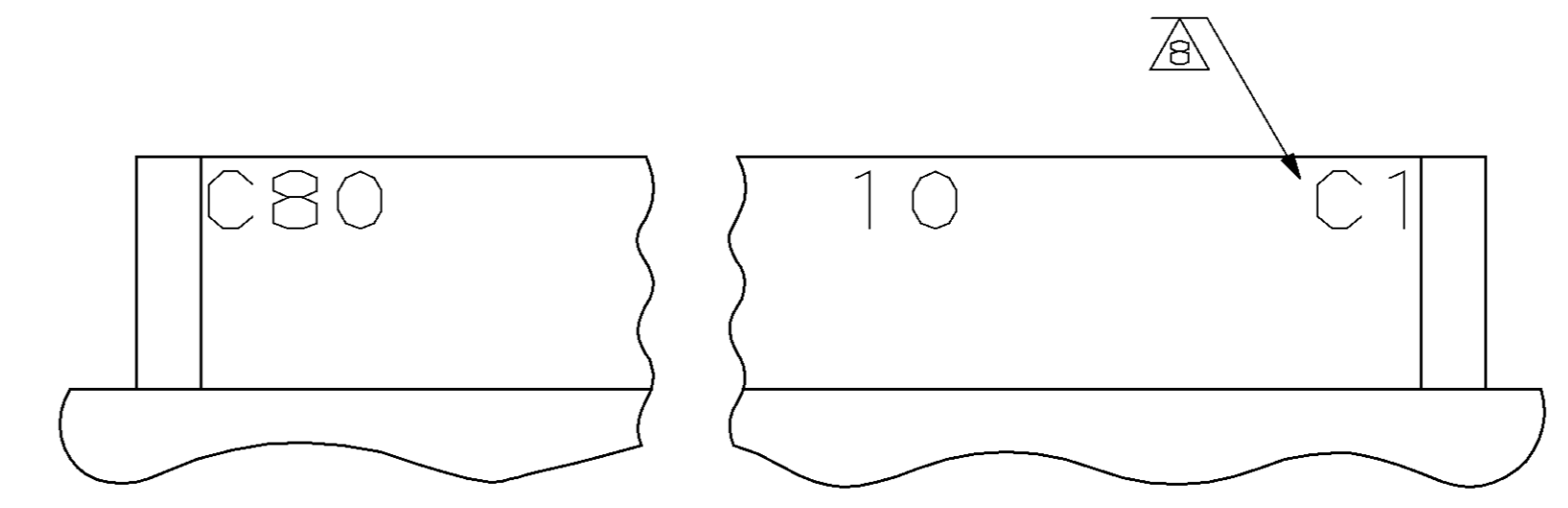
REVISIONS									
PROJ	LOC	DIST	P	F	ZONE	LTR	DESCRIPTION	DATE	APPD
5364	DF	FO					M SEE SHEET 1	-	-



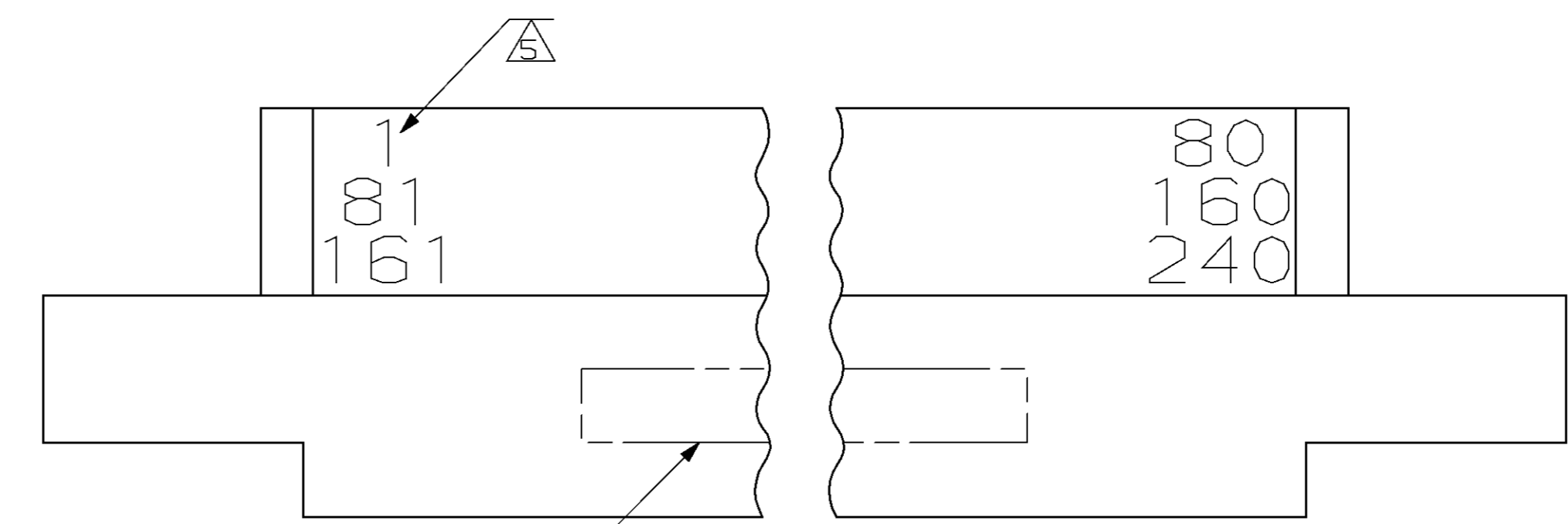
DETAIL V  
SCALE 20:1



SECTION X-X  
ROTATED 90° C.C.W.  
SCALE 10:1



VIEW T-T  
CAVITY ID  
FOR 1- -6



VIEW G-G  
CAVITY ID  
3- -5 THRU 4- -6

DO NOT SCALE PRINT.  
UNLESS SPECIFIED  
DIMENSIONS IN INCHES  
TOLERANCES ON:  
2 PLC DEC ± -  
3 PLC DEC ± .010  
ANGLES ± -

DR 1-31-89 M. CLOUSER	<b>AMP</b>   AMP INCORPORATED Harrisburg, Pa. 17105
CHK 3-16-89 D. MILLER	
APPD 3-16-89 D. MILLER	
APPD 7-18-89 G. GRIFFITH	
MATERIAL -	PRODUCT SPEC -
FINISH -	APPLICATION SPEC -
WEIGHT -	

NAME RECEPTACLE HOUSING, 1003 SERIES BOX CONNECTOR, .100¢ FOR USE WITH TANDEM SPRING CONTACT		
SIZE <b>D</b>	FSCM NO 00779	DRAWING NO 531984
SCALE 5:1		SHEET 2 of 2