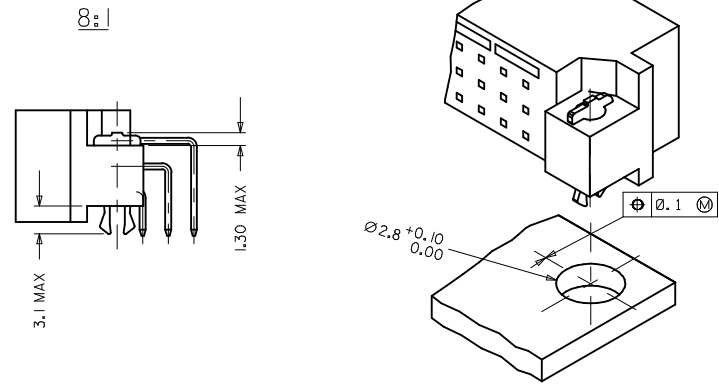


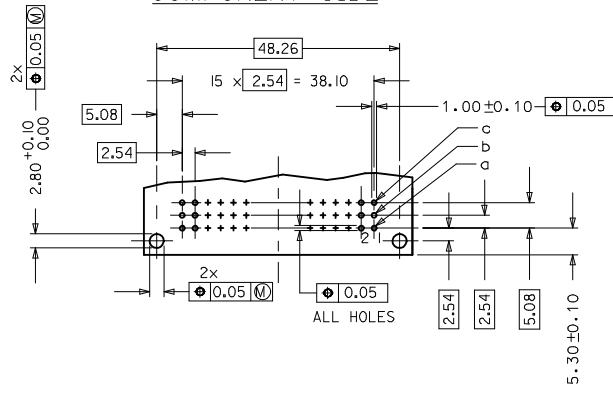
WITH MOUNTING CLIPS



NOTES:

- 1) MATERIALS: THERMOPLASTIC POLYESTER, GLASS FILLED, UL94V-0. COLOUR: PEBBLE GREY RAL 7032
TERMINAL - BRASS
MOUNTING CLIP: STEEL
- 2) FINISH: CONTACT AREA
 1. PERFORMANCE LEVEL 1: SELECTIVE GOLD (Au), THICKNESS = 1.1 MICROMETER OVER NICKEL, THICKNESS = 1.25 MICROMETER
 2. PERFORMANCE LEVEL 2: SELECTIVE GOLD (Au), THICKNESS = 0.6 MICROMETER OVER NICKEL, THICKNESS = 1.25 MICROMETER
 3. PERFORMANCE LEVEL 3: SELECTIVE GOLD (Au), THICKNESS = 0.3 MICROMETER OVER NICKEL, THICKNESS = 1.25 MICROMETER
 TERMINATION AREA : SELECTIVE TIN, THICKNESS = 2.5 MICROMETER OVER NICKEL, THICKNESS = 1.25 MICROMETER OVERALL
- 3) MOUNTING CLIP:-
TIN (Sn), THICKNESS = 5-10 MICROMETER,
OVER NICKEL (Ni), THICKNESS = 2.5 MICROMETER
- 4) FOR NON MOUNTING CLIP OPTION, CONNECTOR TO BE SECURED WITH
RIVETS: 2 TUBULAR RIVETS 2.5 x 0.3 ... DIN 7340
SCREWS: 2 CHEESEHEAD SCREWS M2.5 x ... DIN 84 AND 2 HEXAGONAL NUTS M2.5 DIN 934
- 5) STANDARD MARKING : MOLEX, MATERIAL NUMBER, BATCH CODE
- 6) CUT FACE OF TIP WITHOUT PLATING PERMITTED
- 7) PRODUCT SPECIFICATION PS : 85003-0001

RECOMMENDED PCB LAYOUT
COMPONENT SIDE



LMFB CONTACTS	4,2
FMLB CONTACTS	5,4
NORMAL CONTACTS	4,8
	M

RoHS COMPLIANT

EC NO: 12007-0172 DRAWN: JAVENG CHKD: SSUDHIR APPR: KPRASAD 2008/06/19 2009/10/17/21	QUALITY SYMBOLS ▽=0 ▽=0	GENERAL TOLERANCES (UNLESS SPECIFIED) mm INCH 4 PLACES ± --- ± --- 3 PLACES ± 0.05 ± --- 2 PLACES ± 0.1 ± --- 1 PLACE ± 0.15 ± --- ANGULAR ± 2 °	DIMENSION STYLE MM ONLY	SCALE	DESIGN UNITS	THIRD ANGLE PROJECTION	TITLE 48 POS. MALE CONNECTOR ACC. DIN 41612 STYLE C/2 CONTACTS
				2:1	METRIC	MOLEX INCORPORATED MOLEX INCORPORATED	
A1	DRAFT WHERE APPLICABLE MUST REMAIN WITHIN DIMENSIONS	MATERIAL NO. ---	DOCUMENT NO. SD-85003-0011	SHEET NO. 1 OF 1		THIS DRAWING CONTAINS INFORMATION THAT IS PROPRIETARY TO MOLEX INCORPORATED AND SHOULD NOT BE USED WITHOUT WRITTEN PERMISSION	

VIEW ON MATING SIDE

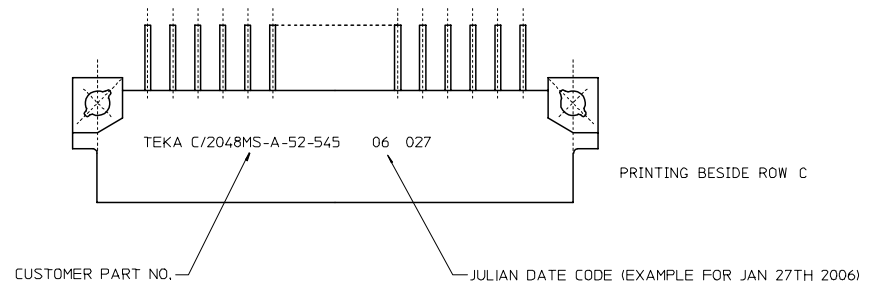
o	C	C	C	C	C	C	C	C	C	C	C	C	C	C	C	C
D	Z	B	Z	B	Z	B	Z	B	B	B	B	B	B	B	B	B
o	A	A	A	A	A	A	A	A	A	A	A	A	A	A	Z	Z
	16	15	14	13	12	11	10	9	8	7	6	5	4	3	2	1

A = 14 STANDARD CONTACTS L=3
 B = 12 STANDARD CONTACTS L=3
 C = 16 STANDARD CONTACTS L=3
 Z = 06 FLMLB CONTACTS +0.6, L=3
 S = 48 TOAL NUMBER OF CONTACTS

MARKING	CUSTOMER SPECIAL (REFER TO THE PRINTING DETAILS)
PERFORMANCE LEVEL	G2/0 = CONTACT AREA LEVEL2 / TERMINATION TIN
FLUX PROOF	NO
FIXING CLP	YES
DIMENSIONS	E-85003-0011 SHT 1-2

Z	G2/0	a1, a2, b10, b12, b14, b16
C	G2/0	c1-c16
B	G2/0	b1-b9, b11, b13, b15
A	G2/0	a3-a16
CONTACT SYMBOL	PERFORMANCE LEVEL	CONTACT POSITION NUMBER

CUSTOMER PART NO. PRINTING DETAILS



EC No: P2006-0516 DRAWN BY: SSUDHIR 2006/03/10 CHECKED BY: CHIKOPRASAD 2006/03/10 APPROVED BY: APPRAJASUD 2006/03/10	QUALITY SYMBOLS	GENERAL TOLERANCES (UNLESS SPECIFIED)	DIMENSION STYLE	SCALE	DESIGN UNITS	THIRD ANGLE PROJECTION																	
		<table border="1"> <tr> <th></th> <th>mm</th> <th>INCH</th> </tr> <tr> <td>4 PLACES</td> <td>±----</td> <td>±----</td> </tr> <tr> <td>3 PLACES</td> <td>±----</td> <td>±----</td> </tr> <tr> <td>2 PLACES</td> <td>±----</td> <td>±----</td> </tr> <tr> <td>1 PLACE</td> <td>±----</td> <td>±----</td> </tr> </table>		mm	INCH	4 PLACES	±----	±----	3 PLACES	±----	±----	2 PLACES	±----	±----	1 PLACE	±----	±----	MM ONLY	4:1	METRIC			
		mm	INCH																				
	4 PLACES	±----	±----																				
3 PLACES	±----	±----																					
2 PLACES	±----	±----																					
1 PLACE	±----	±----																					
DESCRIPTION	DRAFT WHERE APPLICABLE MUST REMAIN WITHIN DIMENSIONS	<table border="1"> <tr> <th>DRAWN BY</th> <th>DATE</th> <th>TITLE</th> </tr> <tr> <td>SHANKAR</td> <td>2006/03/03</td> <td>48 POS. MALE CONNECTOR ACC. DIN 41612, STYLE C/2 CONTACTS ARRANGEMENT</td> </tr> <tr> <th>CHECKED BY</th> <th>DATE</th> <th></th> </tr> <tr> <td>SSUDHIR</td> <td>2006/03/03</td> <td></td> </tr> <tr> <th>APPROVED BY</th> <th>DATE</th> <th></th> </tr> <tr> <td>SSUDHIR</td> <td>2006/03/03</td> <td></td> </tr> </table>	DRAWN BY	DATE	TITLE	SHANKAR	2006/03/03	48 POS. MALE CONNECTOR ACC. DIN 41612, STYLE C/2 CONTACTS ARRANGEMENT	CHECKED BY	DATE		SSUDHIR	2006/03/03		APPROVED BY	DATE		SSUDHIR	2006/03/03		MATERIAL NO.	DOCUMENT NO.	SHEET NO.
DRAWN BY	DATE	TITLE																					
SHANKAR	2006/03/03	48 POS. MALE CONNECTOR ACC. DIN 41612, STYLE C/2 CONTACTS ARRANGEMENT																					
CHECKED BY	DATE																						
SSUDHIR	2006/03/03																						
APPROVED BY	DATE																						
SSUDHIR	2006/03/03																						
REV			85003-9048	SD-85003-9048	1 OF 1																		