

4

3

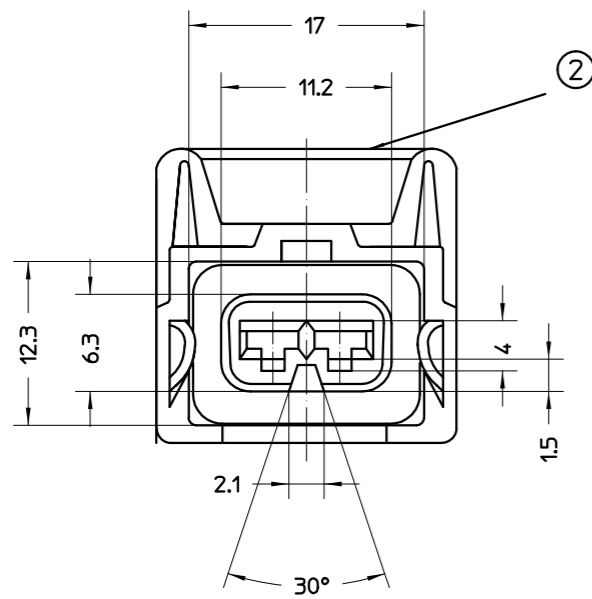
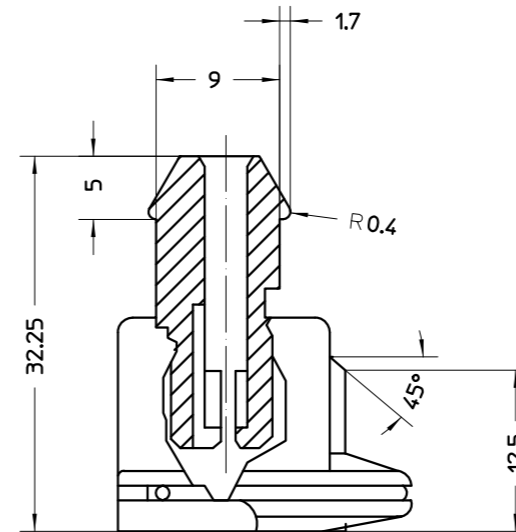
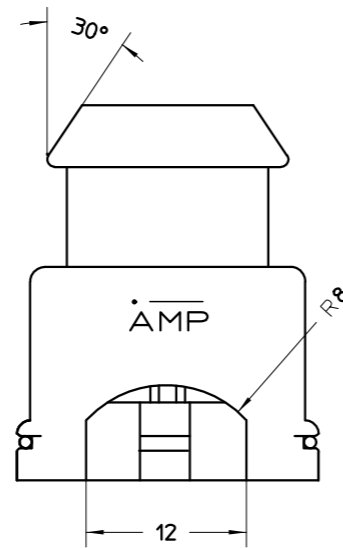
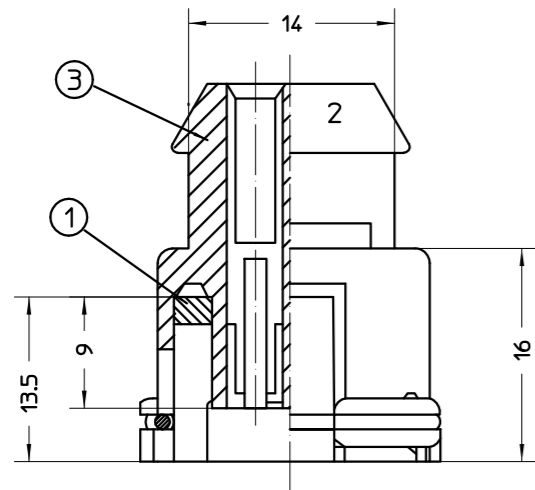
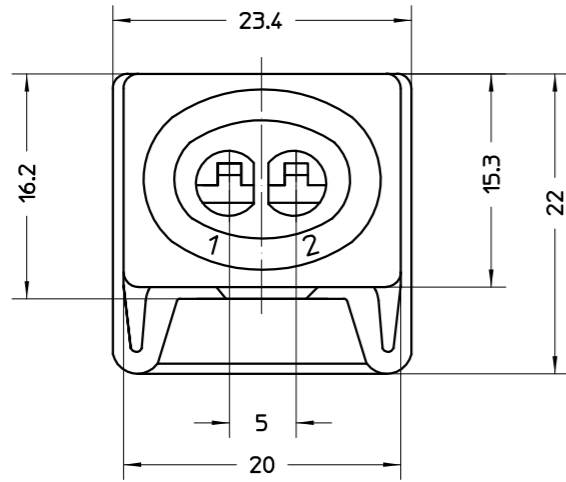
2

1

THIS DRAWING IS UNPUBLISHED. RELEASED FOR PUBLICATION  
COPYRIGHT BY TYCO ELECTRONICS CORPORATION. ALL RIGHTS RESERVED.

LOC U  
DIST -

REVISIONS					
P	LTR	DESCRIPTION	DATE	DWN	APVD
G		ECR-08-003313 RE-DRAWN	04-02-08	HT	WR
H		ECR-09-003982 P/N 1-190667-7 ADDED	19-02-09	WR	WR



QTY	LOC	DIST	PART No.	COLOUR	MATERIAL	DESCRIPTION	ITEM No.
1			1-190662-5	BLUE	NYLON 66 30GL	2 POS. HOUSING	3
		1	1-190662-4	BROWN			
1		1	1-190662-3	BLACK			
1	1	1	827547-1	NATURAL	WIRE DIN2076	SPRING	2
1			825383-4	GREY	NEOPRENE	GASKET	1
	1	1	825383-1	BLACK			
1-190667-7	1-190667-5	1-190667-4	1-190667-3				
			PART No.	COLOUR	MATERIAL	DESCRIPTION	ITEM No.

THIS INFORMATION IS CONFIDENTIAL AND PROPRIETARY TO TYCO ELECTRONICS CORPORATION AND ITS WORLDWIDE SUBSIDIARIES AND AFFILIATES. IT MAY NOT BE DISCLOSED TO ANYONE OTHER THAN TYCO ELECTRONICS PERSONNEL WITHOUT WRITTEN PERMISSION FROM TYCO ELECTRONICS CORPORATION, HARRISBURG, PENNSYLVANIA, USA.

THIS DRAWING IS A CONTROLLED DOCUMENT.		DWN: HT 23JAN08	Tyco Electronics Corporation AUSTRALIA		
ALL DIMENSIONS IN mm:		CHK: MI 24JAN08			
TOLERANCES UNLESS OTHERWISE SPECIFIED: DIMENSION (mm) TOLERANCE(+mm) ±0.3		APVD: WR 24JAN08	NAME: 2 POS. JUNIOR TIMER CONNECTOR		
		PRODUCT SPEC: -	SIZE CAGE CODE DRAWING NO RESTRICTED TO		
ANGLES ±2°		APPLICATION SPEC: -	A3 © 190667		
MATERIAL: -		WEIGHT: -	CUSTOMER DRAWING SCALE NTS SHEET 1 OF 1 REV H		
FINISH: -					