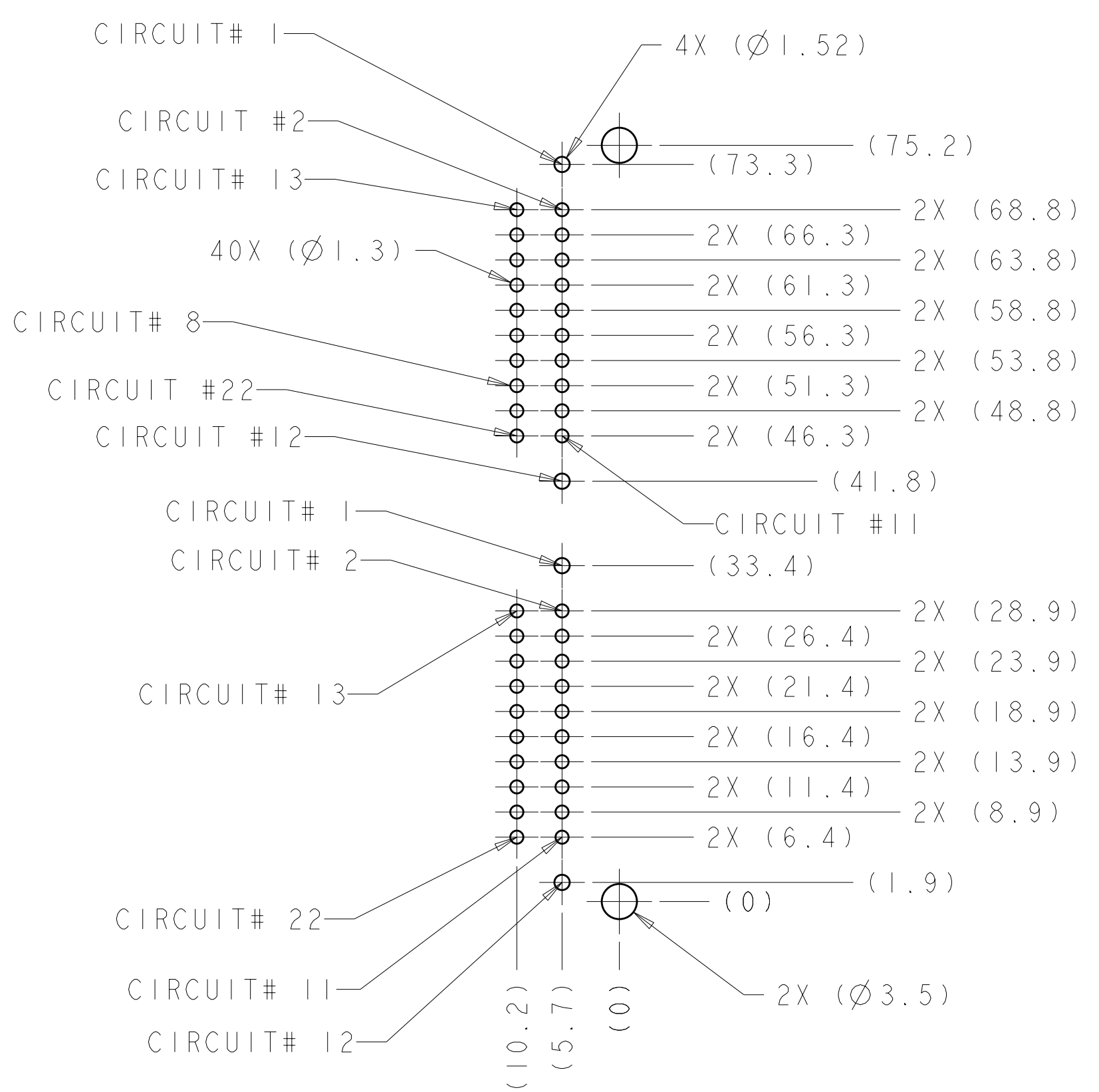
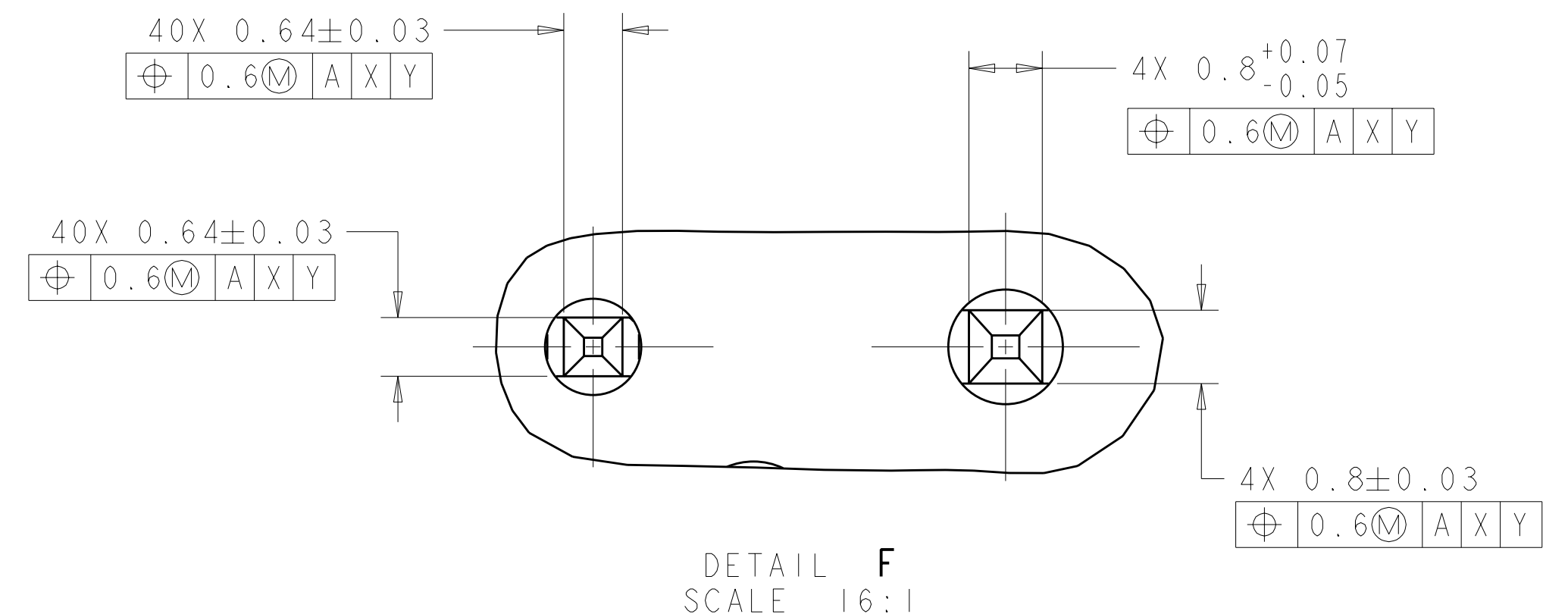
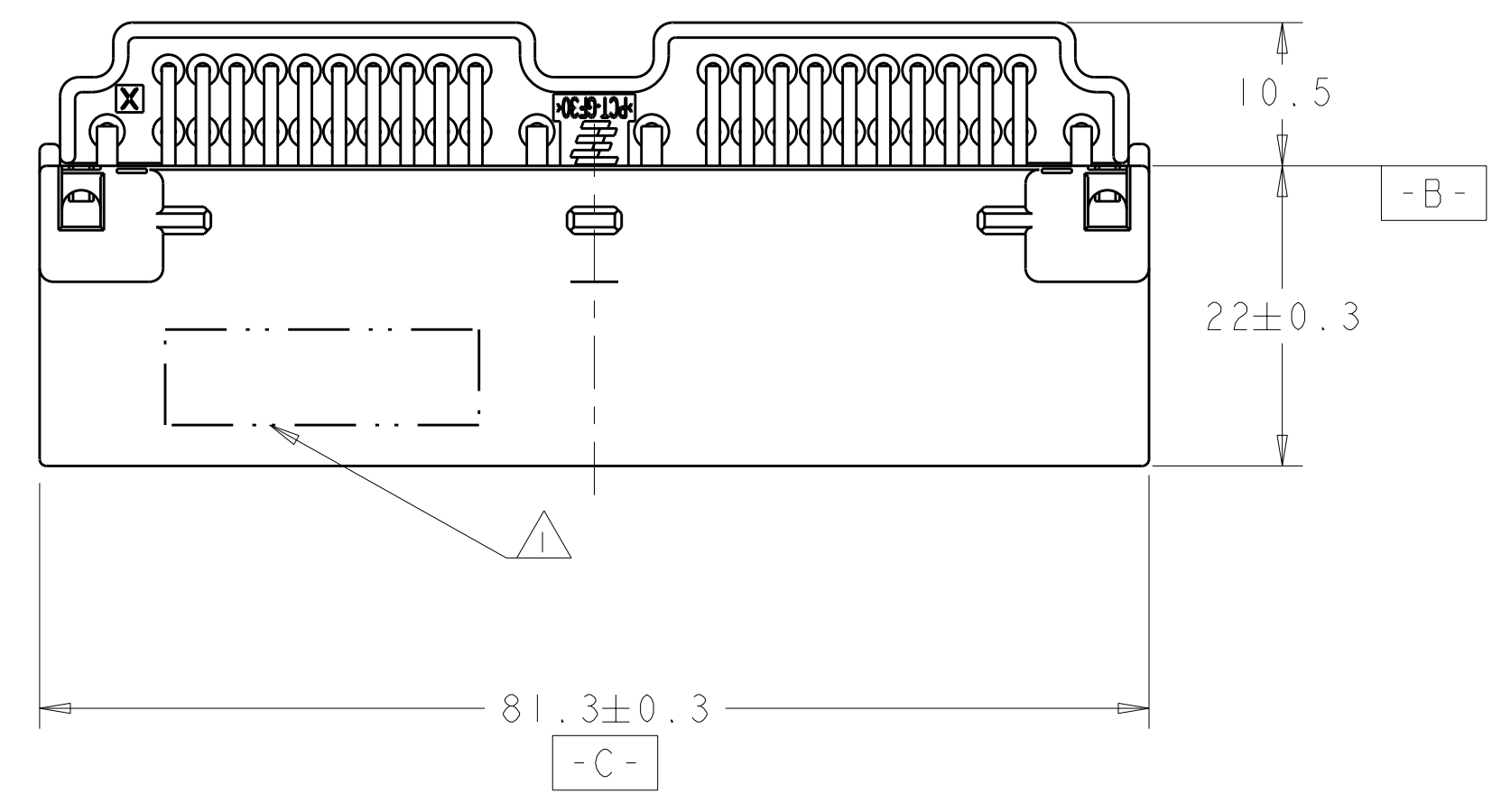
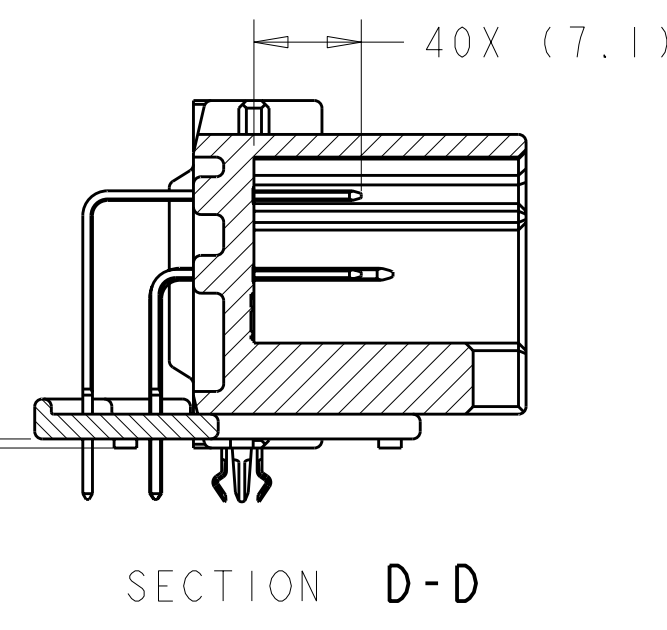


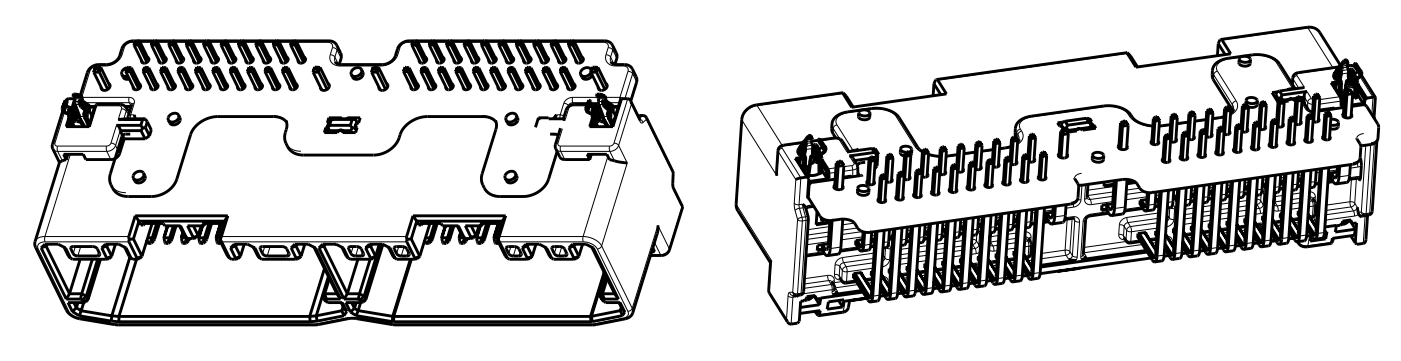
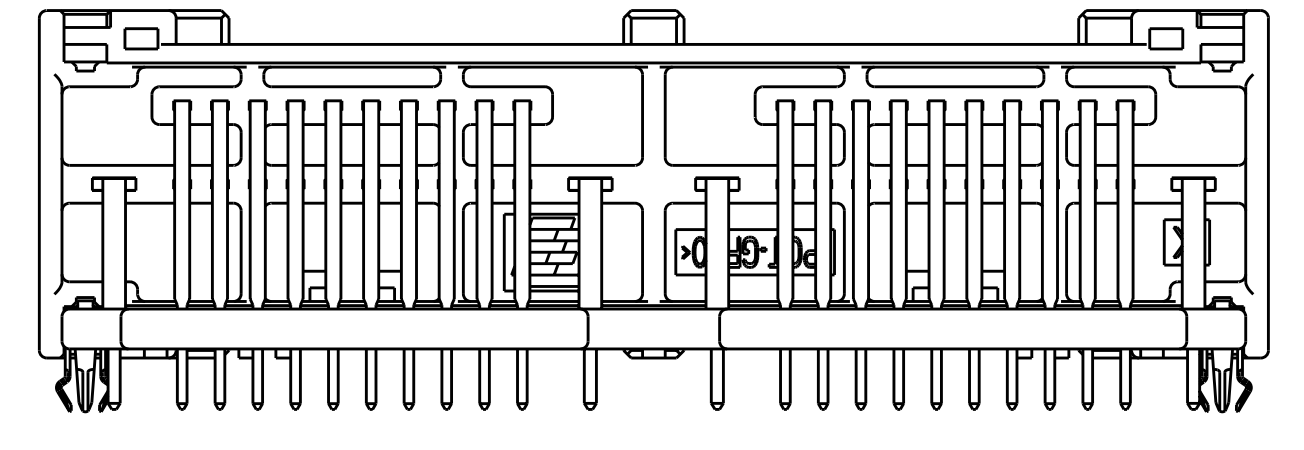
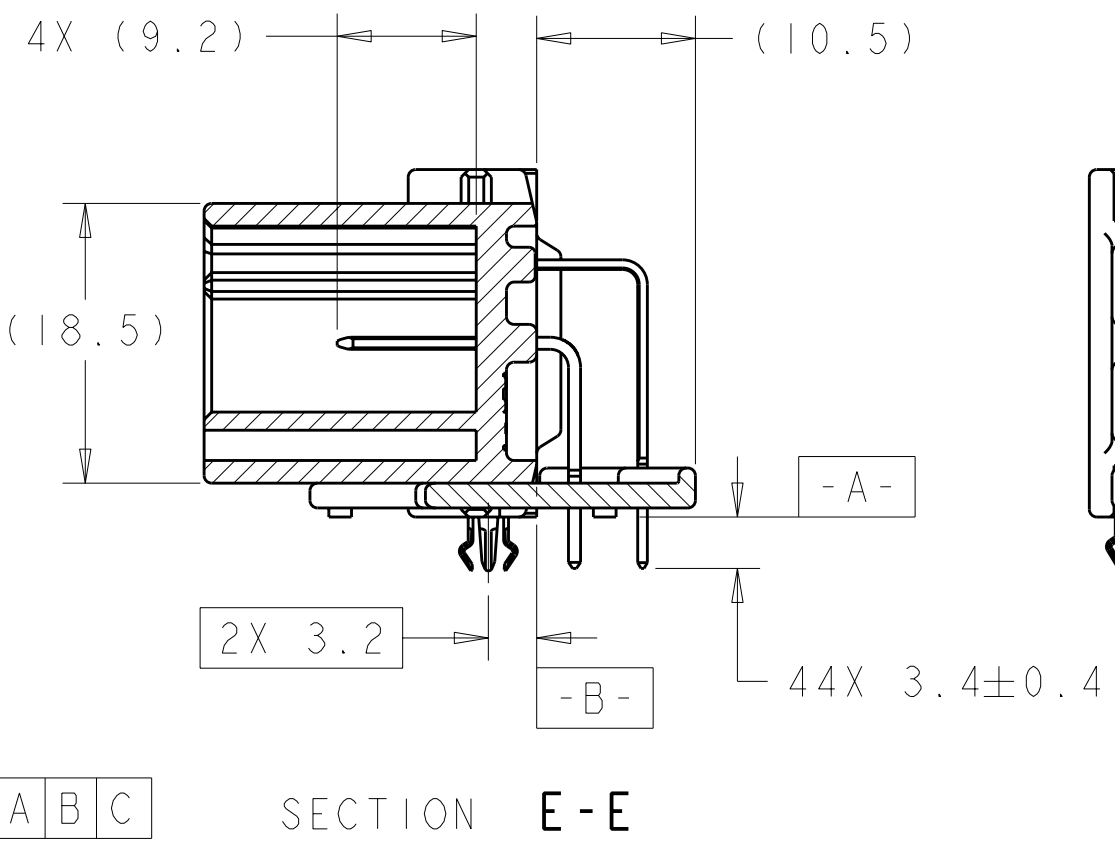
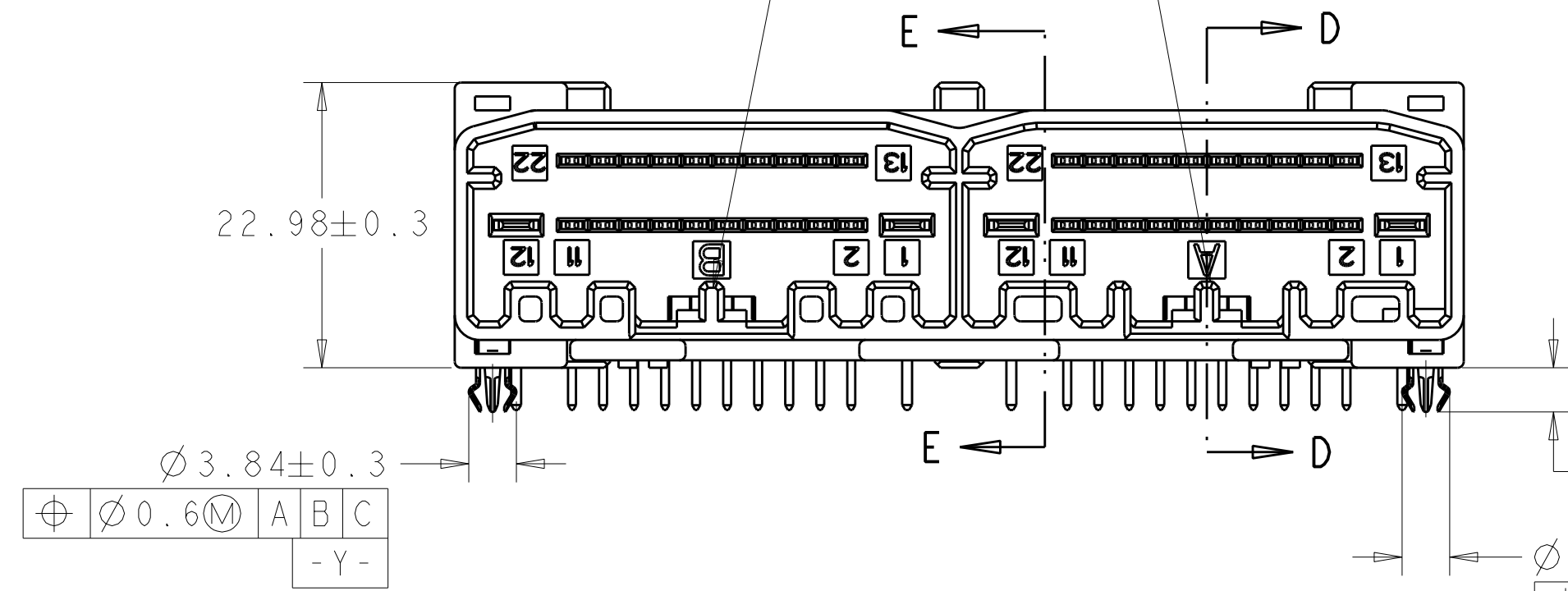
LOC	DIST	REV	DATE	DWN	APVD
IN	00				
5		REV PER ECO-09-003117	12FEB2009	MBH	BB
A		REV PER ECO-10-001383	01FEB2010	MBH	BB



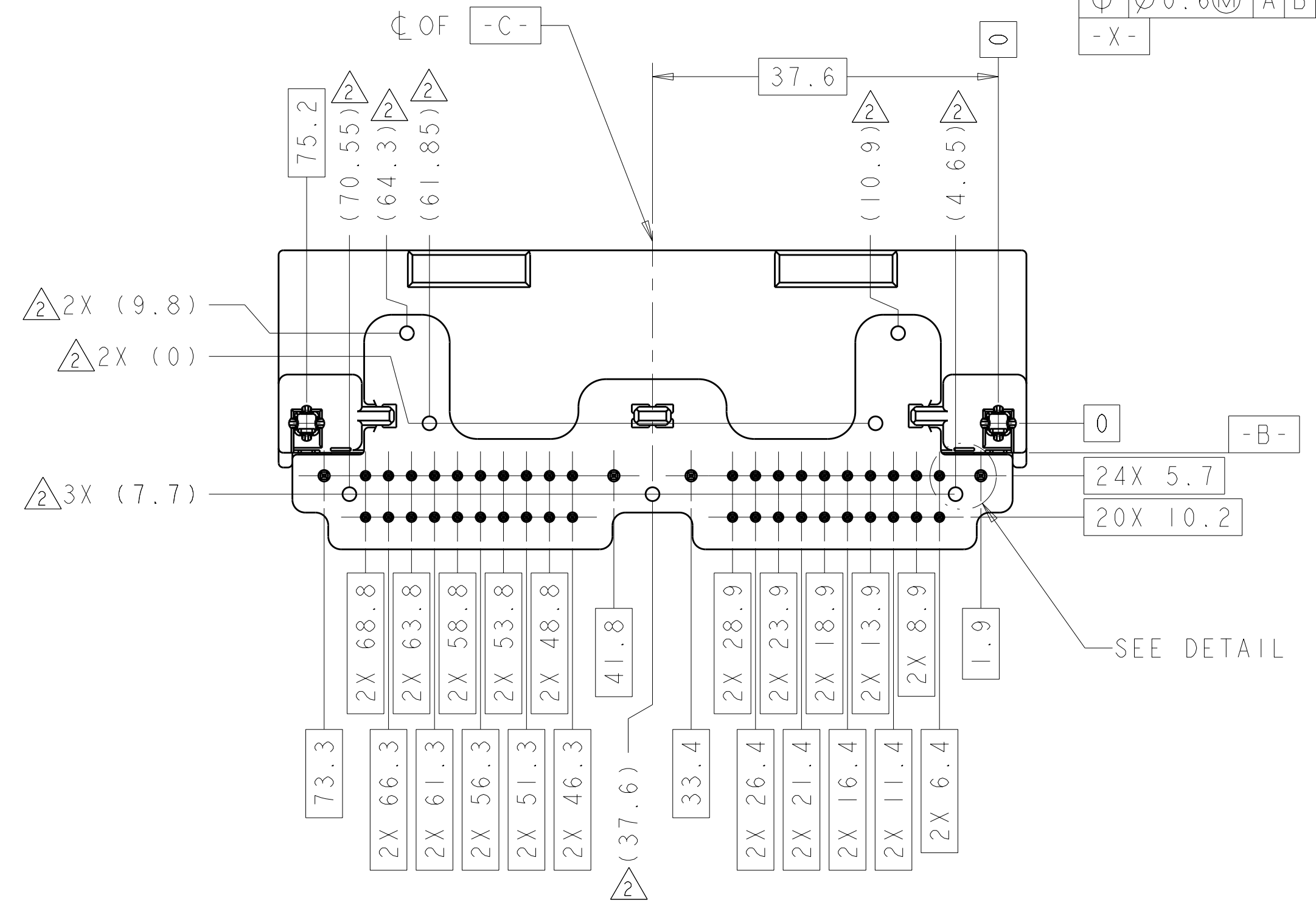
RECOMMENDED PCB LAYOUT
CONNECTOR SIDE
(RECOMMENDED BOARD THICKNESS 1.57mm)



MATES WITH TYCO ELECTRONICS PART# 1438759-1 (WHITE)
MATES WITH TYCO ELECTRONICS PART# 1438761-6 (GRAY)



9-1924089-6 REF SCALE 1:1



SEE DETAIL F

NOTES:
△ MARK DATE CODE IN APPROXIMATE LOCATION.
△ STAND-OFF FEATURES

PCT	GRAY	BRASS	POST-TIN	BRASS	POST-TIN	PCT	GRAY	9-1924089-6
MATERIAL		MATERIAL		MATERIAL		MATERIAL		PART NO
TINE PLATE		BOARDLOCK		CONTACT		HOUSING		
DIMENSIONS:		TOLERANCES UNLESS OTHERWISE SPECIFIED:		DWN		Tyco Electronics		
mm		9 PLC ±0.0		07JAN2008		Harrisburg, PA 17105-3608		
Ø		1 PLC ±0.3		CHK		NAME		
HOLE		3 PLC ±0.1		B. BUCHTER		44P CAP ASSEMBLY 040/2.8 HYBRID		
ANGLE		4 PLC ±0.0		APVD		PRODUCT SPEC		
		5 PLC ±0.0		B. BUCHTER		APPLICATION SPEC		
		6 PLC ±0.0		07JAN2008		TBD		
		7 PLC ±0.0				WEIGHT		
		8 PLC ±0.0				TBD		
		9 PLC ±0.0				CUSTOMER DRAWING		
		10 PLC ±0.0				SCALE		
		11 PLC ±0.0				2:1		
		12 PLC ±0.0				SHEET		
		13 PLC ±0.0				1 OF		
		14 PLC ±0.0				REV		
		15 PLC ±0.0				A		